

5988CTK VANQUISH® 1.28



Elongated Front, SmartHeight™, Vitreous China, Two-Piece Toilet, Complete Toilet Kit

FEATURES

- Complete toilet kit (CTK)
- 1.28 gpf / 4.8 lpf high efficiency water consumption
- Revolutionary seat design with side-mount hinges for easy cleaning
- Elongated front, SmartHeight™ bowl
- 3" Rigid Flapper flush valve – requires less force to flush, is more consistent and uses a simple universal repair part/seal
- Fluidmaster® Pilot anti-siphon fill valve
- 12" rough-in
- SmartFasten™ 2-bolt tank-to-bowl connection
- Model 39 decorative metal trip lever
- 2" glazed trapway
- The Mansfield® limited lifetime warranty on china, Five-year limited warranty on tank trim & seat
- Available in white



MODEL 5988CTK

Toilet seat included

Complete Toilet Kit



CTK

ELONGATED

SMARTHEIGHT ADA

COMPONENTS

MODEL #	DESCRIPTION	CODES/STANDARDS
5988CTK	Elongated front, SmartHeight™ complete toilet kit. Includes slow close toilet seat, tank and bowl, flange bolts, wax ring with polyethylene flange and instructions. Less supply.	
4987	Elongated front, SmartHeight™ bowl with side-mount seat.	
2987	Tank and lid only. With left hand, chrome-plated metal trip lever. Less supply.	
SB4000	Patented slow close seat with side-mount hinges*	
TANK TRIM & REPLACEMENT PARTS		
39	Trip Lever - chrome-plated metal trip lever, left hand	
400A	Fluidmaster® Pilot anti-siphon fill valve	
2206	Pilot operated fill valve	
2987-1112	3" Rigid Flapper flush valve	
630-0030	Replacement flush valve seal	
3987-LID	Tank lid	





*U.S. Patent No. 9809967

5988CTK VANQUISH® 1.28



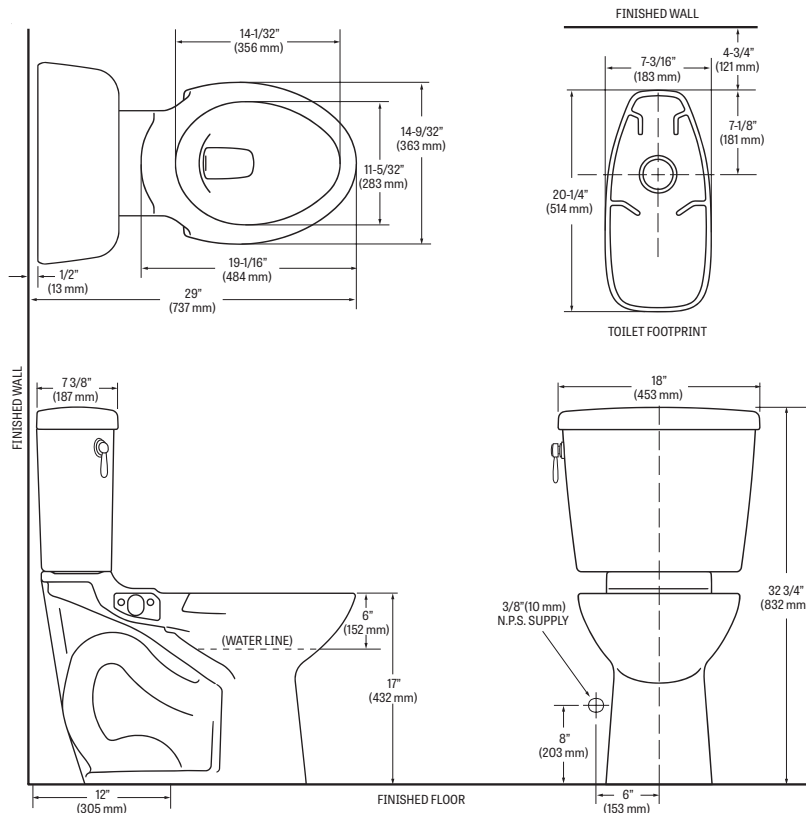
Elongated Front, SmartHeight™, Vitreous China, Two-Piece Toilet, Complete Toilet Kit

SPECIFICATIONS

MODEL #	DESCRIPTION	CODES/STANDARDS	
5988CTK	Elongated front, SmartHeight™ (1.28 gpf/4.8 lpf) two-piece toilet kit	   	
MATERIAL	Vitreous China	TRAP DIAMETER	2"
WATER PRESSURE RANGE	20 to 80 PSI	TRAP SEAL	2-3/8"
FLUSH SYSTEM	3" MagnaFlush™ Flushing Technology	SHIPPING WEIGHT	Model 5988CTK - 98 lbs. (44 kg)
WATER USAGE	1.28 gpf / 4.8 lpf	WARRANTY	
WATER SURFACE AREA	8" X 7"		
ROUGH-IN	12"		
MaP RATING	1,000 grams		

TECHNICAL INFORMATION

Note: these dimensions are nominal and subject to change without notice.



Fixture performance and specifications meet or exceed ASME A112.19.2/CSA B45.1 standards, and other state and local codes.