

5352

LANA™ DROP-IN 3260



Swirl-Way® Air Massage Bath

The air massage bath uses a blower to create huge, soothing bubbles all throughout your bathtub. The bubbles are created when heated air is forced through the air injectors and into your water. Let the bubbles caress your body as they rise to the top.

FEATURES

- Installation: Drop-In or Alcove
- High gloss, easy-to-clean acrylic with fiberglass reinforcement
- Rectangular model with end drain
- Pre-leveled legs for easy installation
- Ergonomic bathing well for ultimate relaxation
- Spacious area to mount the faucet on the deck
- Ten-year warranty for acrylic shell; five-year labor warranty for all factory installed components
- Available in White, Biscuit, Bone, Black, British Khaki and Ice Gray



FEATURES & OPTIONS



| MODEL NUMBER | FEATURES, OPTIONS & COMPONENTS | SWIRL-WAY® AIR MASSAGE BATH |
|--------------|--|--|
| -- | Multi-function Electronic Keypad | Included |
| -- | Invisible air injectors with check valves | Included |
| VSC100 | Variable Speed Blower | Included |
| SWA500 | Chromatherapy Mood Light System | Included |
| -- | Automatic Purge and Dry Cycle | Included |
| LDK- | Linear Overflow Drain Chrome - 1335 Everbrass - 1336 Brushed Nickel - 1337 Oil Rubbed Bronze - 1338 | Included - Finish must be specified on order |
| PREM- | Premium Acrylic Colors BLK - Black BKHK - British Khaki IGRY - Ice Gray *Trim Upgrade (No charge) must be selected with any Premium Acrylic Color. | Optional |
| SWPLO | Low profile 5/8" deck | Optional |
| SWP150L | Factory Installed Nail Flange - Left Hand Drain | Optional |
| SWP150R | Factory Installed Nail Flange - Right Hand Drain | Optional |
| SWP150S | Factory Installed Nail Flange - Special, Diagram Required | Optional |
| SWAPO0 | Nailing Flange Kit (Field Installed) | Optional |
| SWA100 | Pillow (One) | Included |

5352 LANA™ DROP-IN 3260



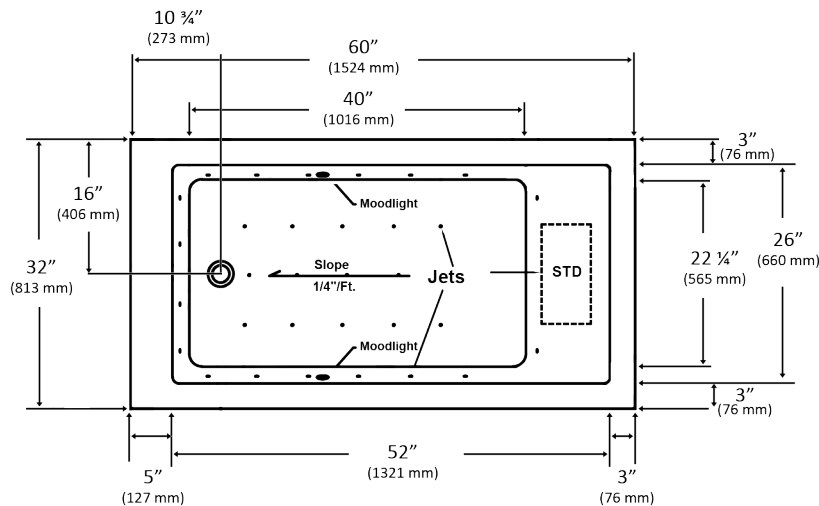
Swirl-Way® Air Massage Bath

SPECIFICATIONS

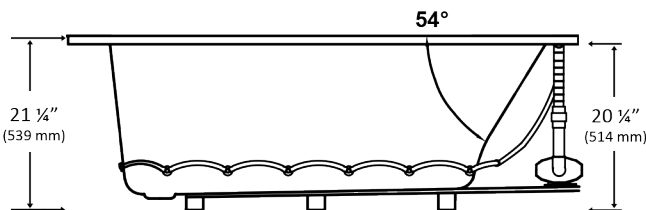
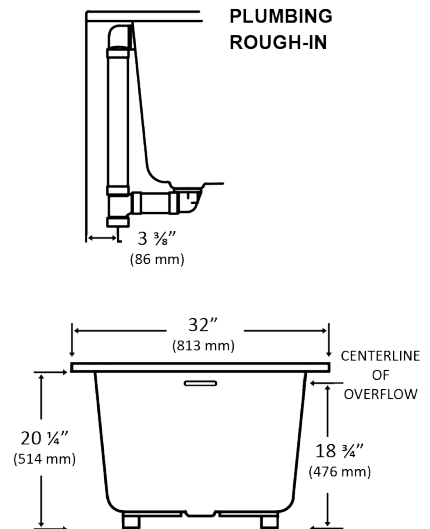
| MODEL # | DESCRIPTION | CODES/STANDARDS |
|---------|--------------------------------------|---|
| 5352 | 60" x 32" x 21-1/4" Air Massage Bath |   |

| | | | |
|--------------------------------|--|-----------------------------|--|
| MATERIAL | Acrylic, Fiberglass reinforced | WARRANTY | Limited Ten Year |
| CONSTRUCTION | Self-contained, pre-plumbed air massage bath system mounted on a pre-leveled base. | SHIPPING WEIGHT | 150 lbs. |
| NUMBER OF JETS | 32 air jets | WATER CAPACITY | 42 gal. (min), 54 gal. (max) |
| FLOOR LOADING WEIGHT | 47 lbs. / sq. ft. | DIMENSIONS | 60" x 32" x 21-1/4" |
| PRODUCT DETAILS | | | |
| BLOWER MOTOR | Variable Speed - 1.0 HP, 120 V, 9 AMP | OPERATION: | 20 minute time cycle |
| ON/OFF CONTROL | Multi-function electronic keypad | PURGE AND DRY CYCLE: | Automatic, 20 minutes after operation, the blower will reactivate to begin drying process. |
| ELECTRICAL REQUIREMENTS | One 120V, 20 AMP GFCI dedicated circuit | | |

TECHNICAL INFORMATION



PLUMBING ROUGH-IN



NOTES:

- 1) Standard blower location shown for clarity.
- 2) Required blower motor access is 20" W x 15" High
- 3) Measurements may vary 1/4" (+/-)
- 4) If a factory installed nailing flange is added to a unit add 1/8" to each side flanged.
- 5) Removable apron is not available for this unit.
- 6) These dimensions are nominal and subject to change without notice.