

ITEM NO. 3781211 / MODEL NO. 5024R55000

**BARRETT™ ALCOVE****MANSFIELD®**

60" x 32" x 21-1/2", Acrylic, Swirl-Way® Whirlpool, Right-Hand




**FEATURES**

- High gloss, easy-to-clean acrylic with fiberglass reinforcement
- Whirlpool hydromassage system uses fully controllable, high-pressure back and body jets for complete muscle relief
- Clean geometric lines
- Hydro-V back jet system with back and body jets
- All jets are directionally and flow adjustable
- Includes one pillow
- Rectangular model with right-hand end drain
- Pre-leveled legs for easy installation
- Integrated dual armrests for bather's comfort
- Integrated tile flange and apron with removable access panel
- Spacious bathing well designed for one-person comfort
- 10-year limited warranty on acrylic
- Installation: Alcove
- Available in White

**MODEL 5024R55000**

Whirlpool

**COMPONENTS**

MODEL #	DESCRIPTION	CODES/STANDARDS
5024R55000	60" x 32" x 21-1/2" Rectangular Swirl-Way® Whirlpool, right-hand. Drain not included.	  
<b>ACCESSORIES</b>		
<b>CAB-</b>	Cable Overflow Drain (White — 1330, Chrome — 1335, Everbrass — 1336, Brushed Nickel — 1337, Oil Rubbed Bronze — 1338, Matte Black — 1339)	
<b>TIP-</b>	Tip Toe Overflow Drain (Chrome — 1335, Everbrass — 1336, Brushed Nickel — 1337, Oil Rubbed Bronze — 1338, Matte Black — 1339)	



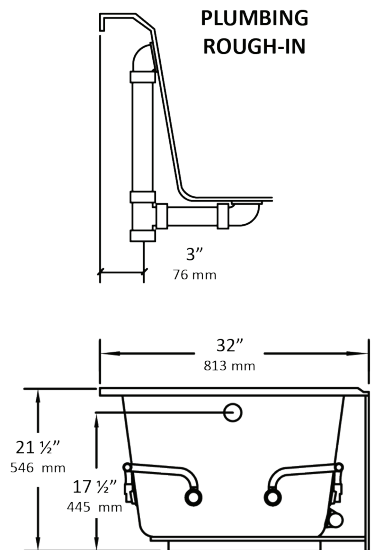
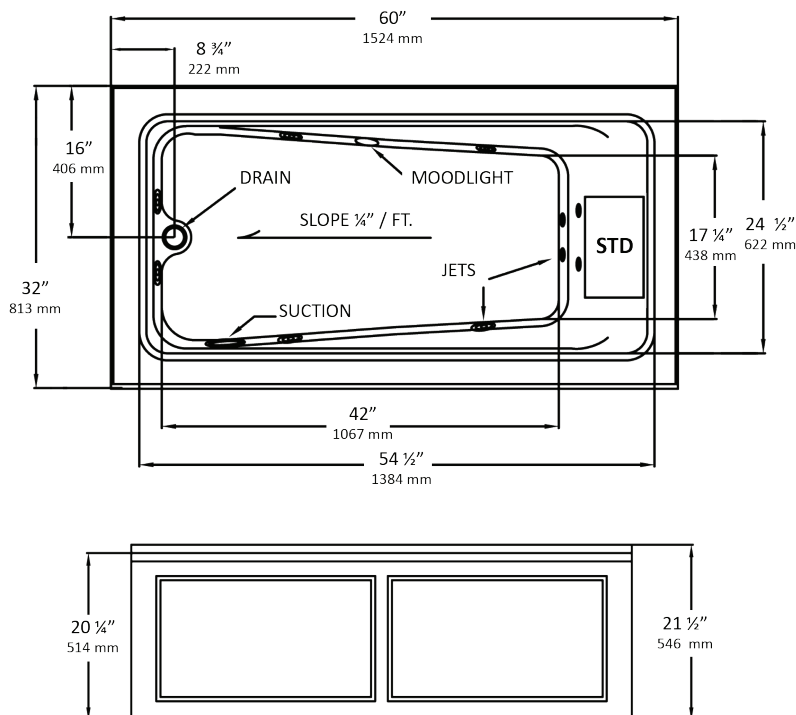
ITEM NO. 3781211 / MODEL NO. 5024R55000

**BARRETT™ ALCOVE****MANSFIELD®**

60" x 32" x 21-1/2", Acrylic, Swirl-Way® Whirlpool, Right-Hand

**SPECIFICATIONS**

<b>MATERIAL</b>	Acrylic, fiberglass reinforced	<b>SOAKING DEPTH</b>	14-3/4"
<b>CONSTRUCTION</b>	Self contained, pre-plumbed whirlpool bath system mounted on pre-leveled base.	<b>WATER CAPACITY</b>	27 gal. (min.) / 57 gal. (max)
<b>ELECTRICAL REQUIREMENTS</b>	One 120 volt, 20 amp GFCI dedicated circuit. Optional heater: separate 120 volt, 20 amp dedicated circuit.	<b>FLOOR LOADING WEIGHT</b>	47 lbs. sq.ft.
<b>NUMBER OF JETS</b>	16	<b>SHIPPING WEIGHT</b>	Model 5024R55000 - 150 lbs. (68 kg)
		<b>WHIRLPOOL PUMP</b>	9 amp
		<b>WARRANTY</b>	Acrylic - 10-Year

**TECHNICAL INFORMATION****Note:** these dimensions are nominal and subject to change without notice.**NOTES:**

1. Pump location shown for clarity.
2. Required pump motor access is 20" W x 15" H.
3. Measurements may vary 1/4" (+/-)
4. Apron is integral with removable access panels for easy access to pump.
5. These dimensions are nominal and subject to

