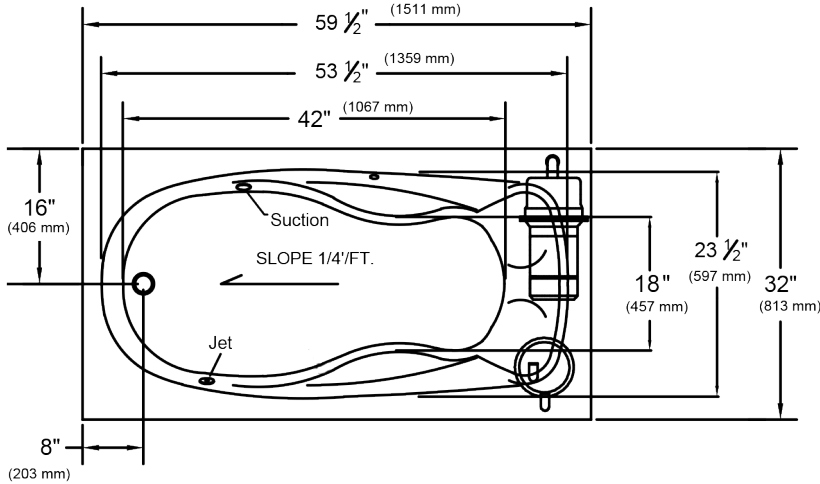


5253

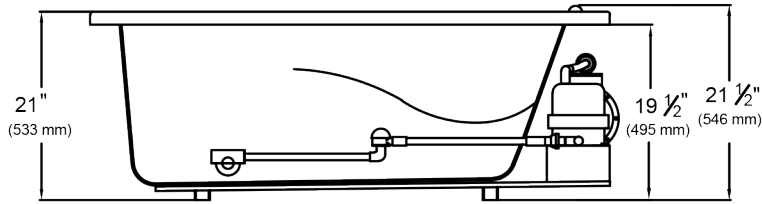
**MANSFIELD®**

Camden™ 59 1/2" x 32" x 21 1/2"

Swirl-way® MicroDerm™ Therapeutic Bath

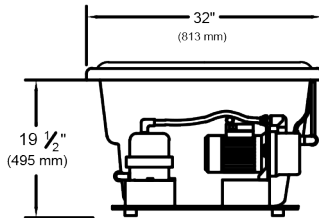
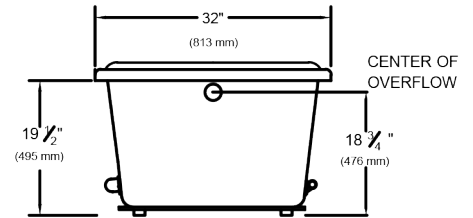
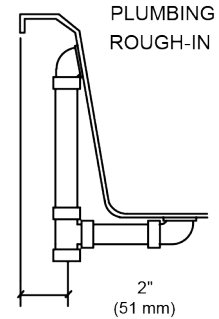


Pump location shown for clarity.  
Available as Standard Location Only



Rough-in measurements may vary 1/4" (+/-)

These dimensions are nominal and subject to change without notice



**SPECIFICATIONS**

Specification	Description	Specification	Description
<b>Construction</b>	Self-contained, pre-plumbed bath system mounted on a pre-leveled base	<b>Water Capacity</b>	42 gal. (min) 52 gal. (max)
<b>Number of Ports</b>	1	<b>Shipping Weight</b>	130 lbs.
<b>Pump Motor</b>	120V, 10 Amp, 60 Hz; Thermally protected	<b>Floor Loading Weight</b>	47 lbs. / sq.ft
<b>Electrical Requirements</b>	One 120V, 20 amp GFCI dedicated circuit.	<b>On/Off Control</b>	Single button electronic control with twenty (20) minute timer
<b>Material</b>	Acrylic, fiberglass reinforced	<b>Warranty</b>	Limited Ten Year

