

# 1014-1012 MAVERICK™



Elongated Front, SmartHeight™ Vitreous China, Two-Piece Toilet

## FEATURES

- Uses almost 40% less water than conventional toilets
- 0.8 gpf / 3 lpf high efficiency water consumption
- Elongated front SmartHeight™ bowl
- 3" flush tower
- Pilot operated anti-siphon fill valve
- 12" rough-in
- Model 79 chrome-plated, metal push button actuator
- 2" glazed trapway
- The Mansfield® limited lifetime warranty on china, One-year limited warranty on tank trim
- Available in White only



**MODEL 1014-1012**

Toilet seat not included



ELONGATED



SMARTHEIGHT ADA

## COMPONENTS





MODEL #	DESCRIPTION	CODES/STANDARDS
1014-1012	Elongated front, SmartHeight™ two-piece toilet. Includes top chrome-plated, metal push button actuator. Less toilet seat and supply.	
1014	Elongated front, SmartHeight™ toilet bowl only. Less toilet seat and supply.	
1012	Tank and cover only, with top metal push button actuator. Less supply.	
TANK TRIM & REPLACEMENT PARTS		
79	Chrome-plated, metal push button actuator	
209	Flush tower	
90-9	Fill valve	
1012/3012-LID	Tank lid	

# 1014-1012 MAVERICK™



Elongated Front, SmartHeight™ Vitreous China, Two-Piece Toilet

## SPECIFICATIONS

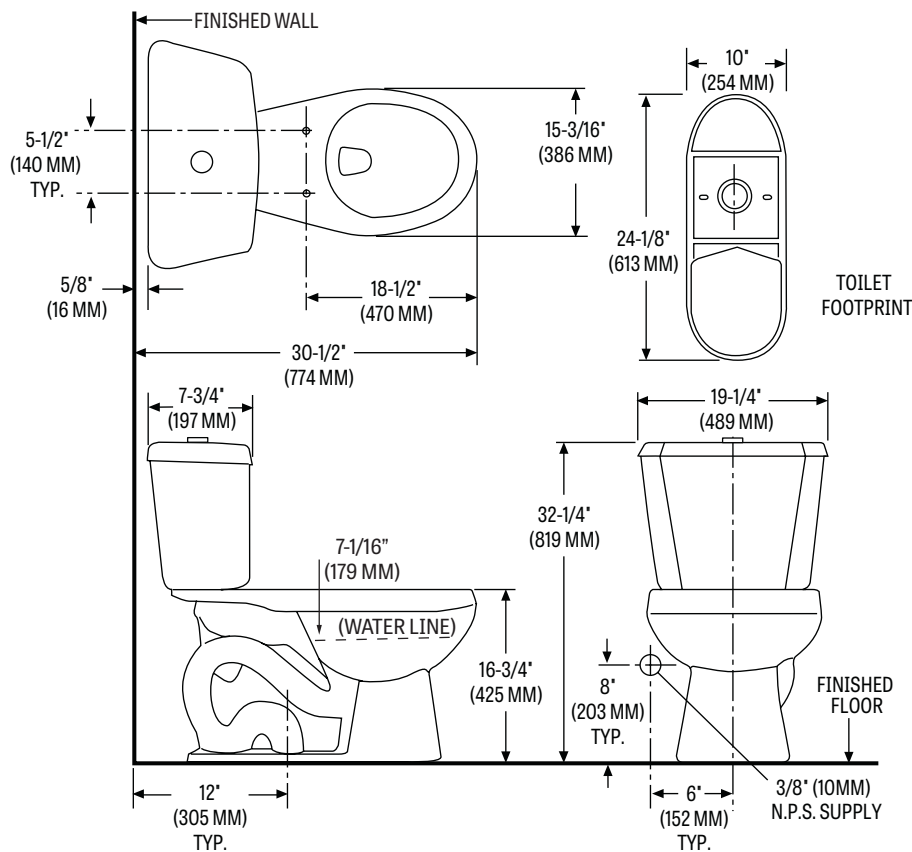
MODEL #	DESCRIPTION	CODES/STANDARDS
1014-1012	Elongated front, SmartHeight™ (0.8 gpf/3 lpf) two-piece toilet	   

MATERIAL	Vitreous China
WATER PRESSURE RANGE	20 to 80 PSI
FLUSH SYSTEM	3" Flush tower
WATER USAGE	0.8 gpf / 3 lpf
WATER SURFACE AREA	6-1/4" X 9"
ROUGH-IN	12"
MaP RATING	800 grams

TRAP DIAMETER	2"
TRAP SEAL	2-3/8"
SHIPPING WEIGHT	Model 1014 - 58 lbs. (26 kg) Model 1012 - 34 lbs. (15 kg)
WARRANTY	Vitreous China - Limited Lifetime Tank Trim - Limited One Year

## TECHNICAL INFORMATION

**Note:** these dimensions are nominal and subject to change without notice.



Fixture performance and specifications meet or exceed ASME A112.19.2/CSA B45.1 standards, and other state and local codes.