

385-386 SUMMIT®



Elongated Front, SmartHeight™, Vitreous China, 10" Rough-In, Two-Piece Toilet

FEATURES

- High performance MagnaFlush™ flushing technology
- 1.6 gpf / 6.0 lpf low water consumption
- Elongated front, SmartHeight™ bowl (ADA compliant)
- SmartFasten™ 3-bolt tank-to-bowl connection
- 3" Rigid Flapper flush valve – requires less force to flush, is more consistent and uses a simple universal repair part/seal
- Fluidmaster® pilot operated anti-siphon fill valve
- 10" rough-in
- Model 57 chrome-plated, metal trip lever
- 2" glazed trapway
- The Mansfield® limited lifetime warranty on china; Five-year limited warranty on tank trim
- Available in White, Biscuit and Bone



MODEL 385-386

Toilet seat not included





ELONGATED



SMARTHEIGHT ADA

COMPONENTS



| MODEL # | DESCRIPTION | CODES/STANDARDS |
|-------------------------------|--|---|
| 385-386 | Elongated front, SmartHeight™, two-piece toilet. Less toilet seat and supply. Specify color. |   |
| 385 | Elongated front, SmartHeight™ toilet bowl only. Less supply. Specify color. | |
| 386 | Tank and cover only, with left hand, front-mount, chrome-plated, metal trip lever. Less supply. Specify color. | |
| TANK TRIM & REPLACEMENT PARTS | | |
| 57 | Trip lever - chrome-plated, metal trip lever, left hand | |
| 2037-1212 | Summit® 1.6 rigid flapper flush valve | |
| 400A | Fluidmaster® anti-siphon pilot fill valve | |
| 2206 | Anti-siphon pilot fill valve (compatible replacement) | |
| 630-0030 | Replacement flush valve seal | |
| 386-LID | Tank lid | |

385-386 SUMMIT®



Elongated Front, SmartHeight™, Vitreous China, 10" Rough-In, Two-Piece Toilet

SPECIFICATIONS

| MODEL # | DESCRIPTION | CODES/STANDARDS |
|---------|--|---|
| 385-386 | Elongated front, SmartHeight™ (1.6 gpf/6.0 lpf) two-piece toilet |   |

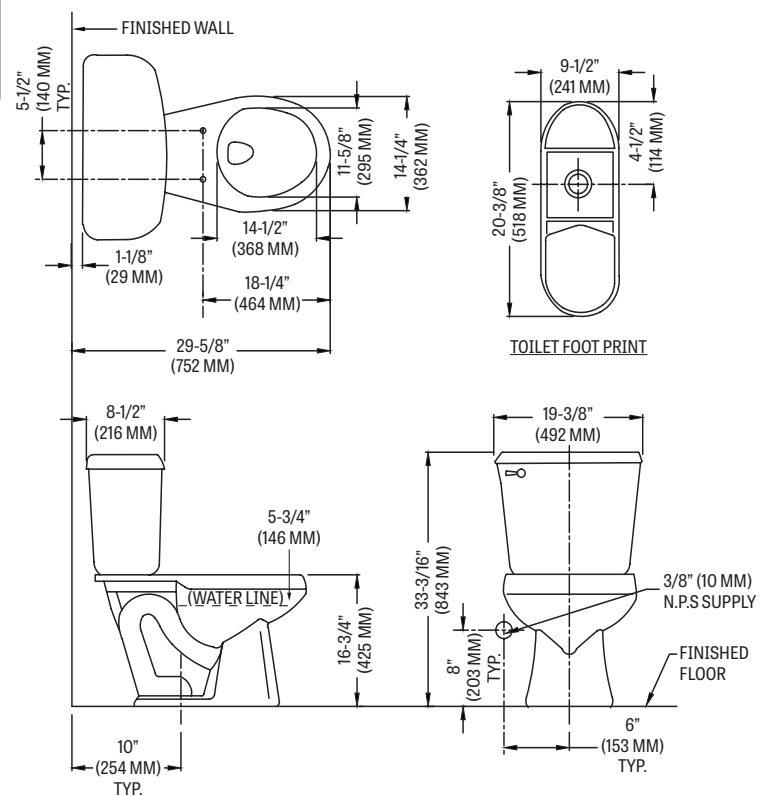
| | |
|----------------------|---------------------------------|
| MATERIAL | Vitreous China |
| WATER PRESSURE RANGE | 20 to 80 PSI |
| FLUSH SYSTEM | MagnaFlush™ flushing technology |
| WATER USAGE | 1.6 gpf / 6.0 lpf |
| WATER SURFACE AREA | 9" X 10" |
| ROUGH-IN | 10" |
| MaP RATING | 1,000 grams |

| | |
|-----------------|--|
| TRAP DIAMETER | 2" |
| TRAP SEAL | 2-3/8" |
| SHIPPING WEIGHT | Model 385 - 54 lbs. (24.4 kg) Model 386 - 36 lbs. (16.3 kg) |
| WARRANTY | Vitreous China - Limited Lifetime Tank Trim - Limited Five Year |

| TANK OPTIONS | |
|--------------|---|
| 386RH | Variation of model 386, with right hand trip lever. |
| 386LT | Variation of model 386, with tank liner. |

TECHNICAL INFORMATION

Note: these dimensions are nominal and subject to change without notice.



Fixture performance and specifications meet or exceed ASME A112.19.2/CSA B45.1 standards, and other state and local codes.