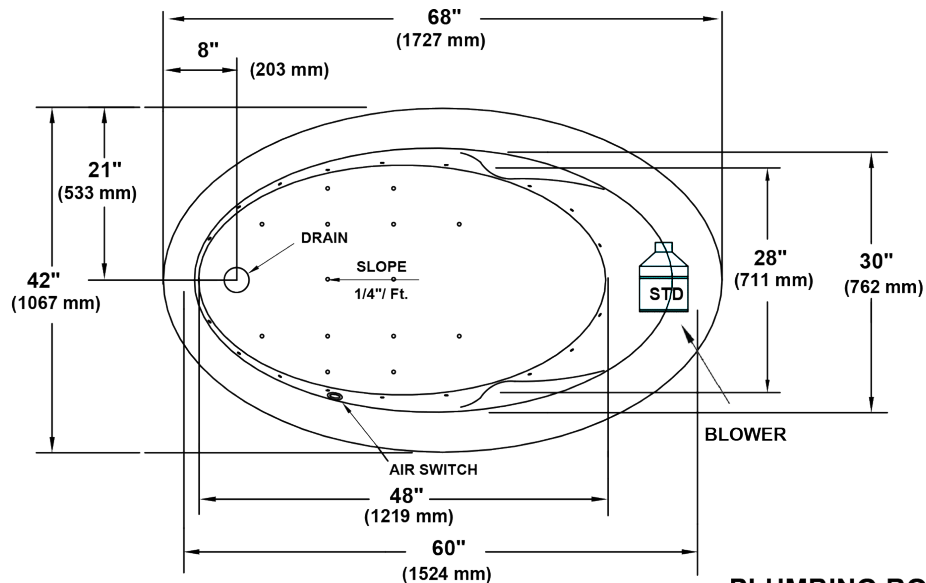


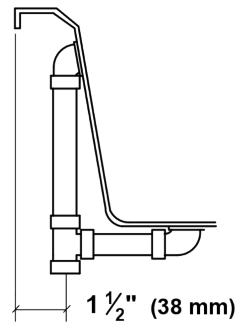
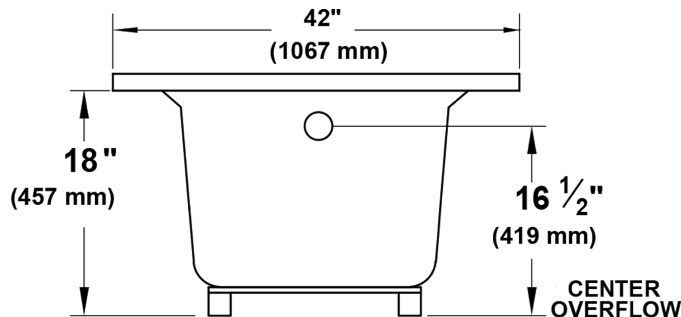
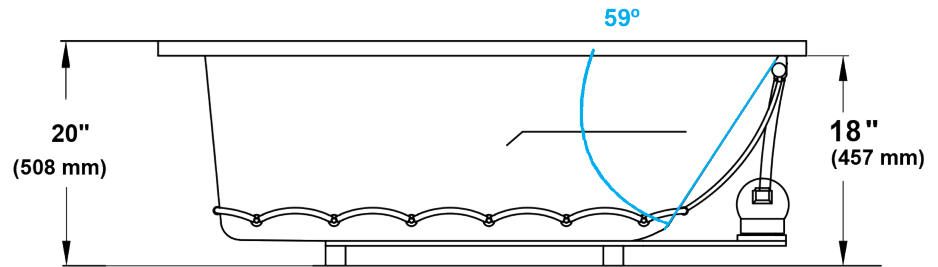
PRO-FIT® AIR MASSAGE BATH

4268 OV ED 68" x 42" x 20"

Model number: 6430



PLUMBING ROUGH-IN



NOTES:

1. Blower location (Standard only).
2. Required blower motor access is 20" W x 15" H.
3. Measurements may vary 1/4" (+/-).
4. Optional removable apron is not available on this unit.
5. Installer note: Due to the freeform shape of the tub shell, it is recommended that the tub be on the job site before making the final cut-out for drop-in or undermount installation.

SPECIFICATIONS:

| | | | |
|---------------------------------|---|----------------------------|---|
| Dimensions: | 68" x 42" x 20" | Number of air jets: | 33 |
| Material: | Acrylic, fiberglass reinforced | Weight: | 118 lbs. (54 kg) |
| Blower Motor: | 120 V, 60 HZ, 8.0 Amp, Single Speed, 200 Watt Single Phase - Premounted | Water Capacity: | 74 gals max., 59 gals min. (281 liters/224 liters) |
| Electrical Requirements: | 120 V, 15 Amp, GFCI Protected | Floor Loading: | 47 lbs./sq.ft. (229 kg/m ²) |
| On/Off Control: | Air Switch | Shipping Weight: | 158 lbs. (72 kg) |