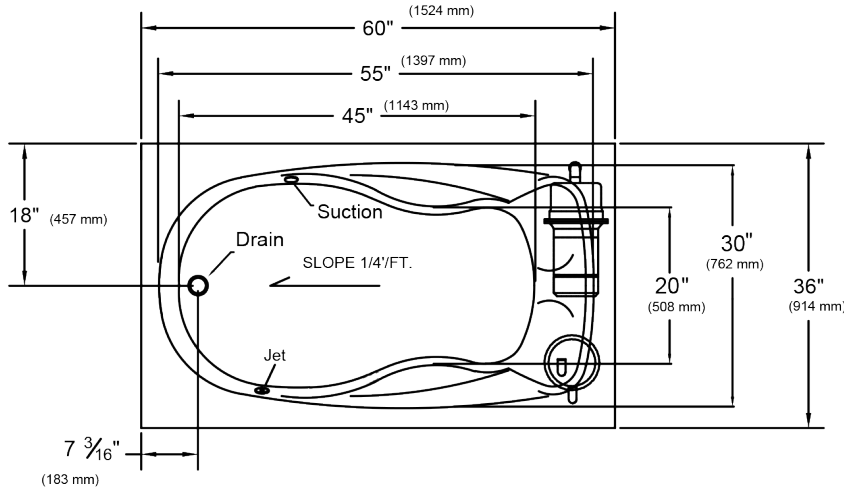


5202

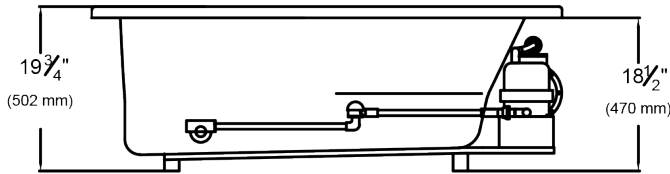
**MANSFIELD®**

Baywood™ 5.0 60" x 36" x 19 3/4"

Swirl-way® MicroDerm™ Therapeutic Bath

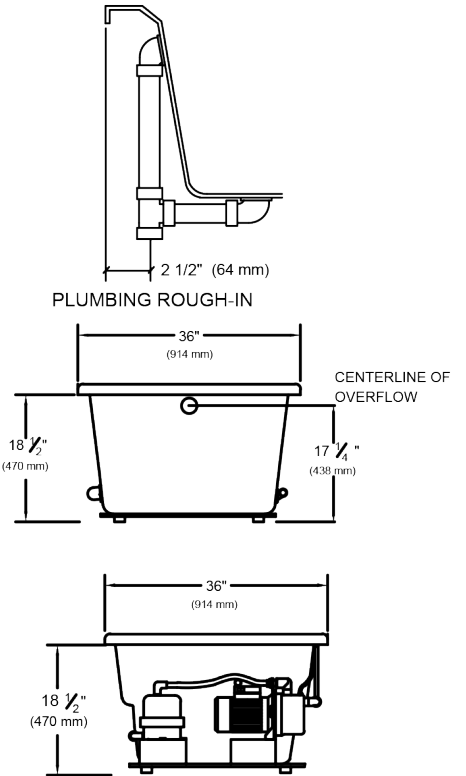


**PUMP LOCATION SHOWN FOR CLARITY.  
AVAILABLE AS STANDARD ONLY.**



Rough-in measurements may vary 1/4" (+/-)

OPTIONAL APRON AVAILABLE ON THIS MODEL.



**SPECIFICATIONS**

Specification	Description	Specification	Description
<b>Construction</b>	Self-contained, pre-plumbed bath system mounted on a pre-leveled base	<b>Water Capacity</b>	40 gal. (min) 60 gal. (max)
<b>Number of Ports</b>	1	<b>Shipping Weight</b>	140 lbs
<b>Pump Motor</b>	120V, 10 Amp, 60 Hz; Thermally protected	<b>Floor Loading Weight</b>	47 lbs. / sq.ft
<b>Electrical Requirements</b>	One 120V, 20 amp GFCI dedicated circuit.	<b>On/Off Control</b>	Single button electronic control with twenty (20) minute timer
<b>Material</b>	Acrylic, fiberglass reinforced	<b>Warranty</b>	Limited Ten Year

