

ITEM NO. 2412594 / MODEL NO. 5988CTK

VANQUISH®**MANSFIELD®**

Elongated Front, SmartHeight™, Vitreous China, Two-Piece Toilet, Complete Toilet Kit

FEATURES

- Complete toilet kit (CTK)
- 1.28 gpf / 4.8 lpf high efficiency water consumption
- Revolutionary seat design with side-mount hinges for easy cleaning
- PuraClean® easy-to-clean glazed surface
- Elongated front, SmartHeight™ bowl
- 3' Rigid Flapper flush valve – requires less force to flush, is more consistent and uses a simple universal repair part/seal
- Fluidmaster® Pilot anti-siphon fill valve
- 12" rough-in
- SmartFasten™ 2-bolt tank-to-bowl connection
- Model 39 decorative metal trip lever
- 2" glazed trapway
- The Mansfield® limited lifetime warranty on china, Five-year limited warranty on tank trim & seat
- Available in White

**MODEL 5988CTK**

Toilet seat included

Complete Toilet Kit



CTK

ELONGATED

SMARTHEIGHT ADA

COMPONENTS

MODEL #	DESCRIPTION	CODES/STANDARDS
5988CTK	Elongated front, SmartHeight™ complete two-piece toilet kit. Includes: slow close toilet seat, tank and bowl, floor bolts, wax ring, caps and multi-lingual installation instructions. Water supply not included.	
4987	Elongated front, SmartHeight™ bowl with side-mount seat.	
2987	Tank and lid only. With left hand, chrome-plated metal trip lever.	
SB4000	Patented slow close seat with side-mount hinges*	
TANK TRIM & REPLACEMENT PARTS		
39	Trip Lever - chrome-plated metal trip lever, left hand	
400A	Fluidmaster® anti-siphon pilot fill valve	
2206	Anti-siphon pilot fill valve (compatible replacement)	
2987-1112	Vanquish® 1.28 Rigid Flapper flush valve	
630-0030	Replacement flush valve seal	
3987-LID	Tank lid	

When properly installed, this product meets the requirements for the Americans with Disabilities Act of 1990 (ADA). Refer to local plumbing codes, as they may vary by location and application.

*U.S. Patent No. 9809967







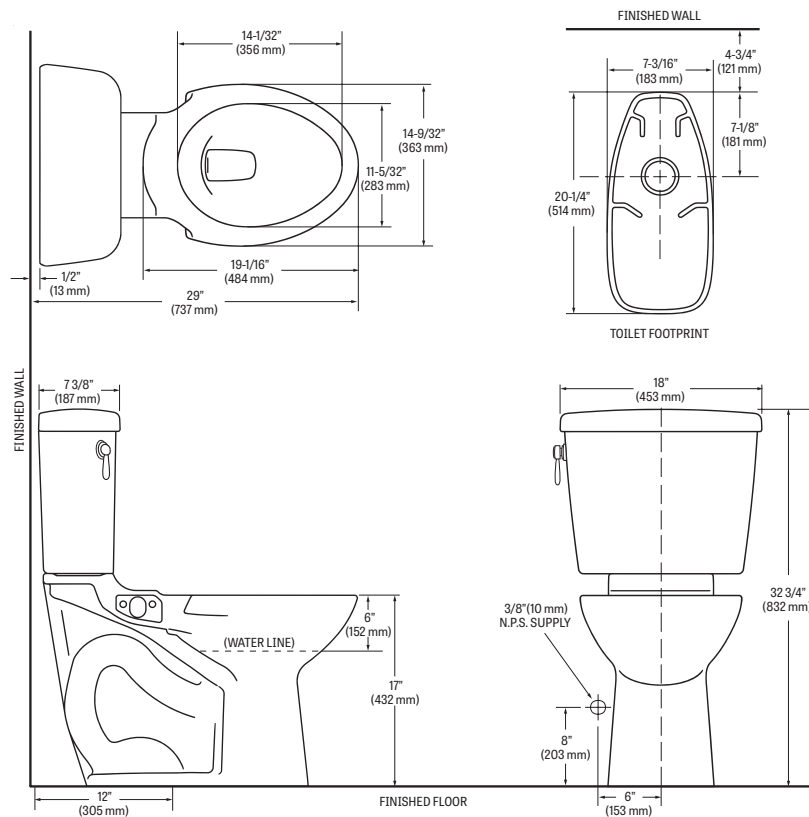
ITEM NO. 2412594 / MODEL NO. 5988CTK

VANQUISH[®]**MANSFIELD[®]**

Elongated Front, SmartHeight™, Vitreous China, Two-Piece Toilet, Complete Toilet Kit

SPECIFICATIONS

MODEL #	DESCRIPTION	CODES/STANDARDS								
5988CTK	Elongated front, SmartHeight™ (1.28 gpf/4.8 lpf) two-piece toilet kit	   								
MATERIAL	Vitreous China	<table border="1"> <tr> <td>TRAP DIAMETER</td> <td>2'</td> </tr> <tr> <td>TRAP SEAL</td> <td>2-3/8'</td> </tr> <tr> <td>SHIPPING WEIGHT</td> <td>Model 5988CTK - 98 lbs. (44 kg)</td> </tr> <tr> <td>WARRANTY</td> <td>Vitreous China - Limited Lifetime Tank Trim & Seat - Limited Five-Year</td> </tr> </table>	TRAP DIAMETER	2'	TRAP SEAL	2-3/8'	SHIPPING WEIGHT	Model 5988CTK - 98 lbs. (44 kg)	WARRANTY	Vitreous China - Limited Lifetime Tank Trim & Seat - Limited Five-Year
TRAP DIAMETER	2'									
TRAP SEAL	2-3/8'									
SHIPPING WEIGHT	Model 5988CTK - 98 lbs. (44 kg)									
WARRANTY	Vitreous China - Limited Lifetime Tank Trim & Seat - Limited Five-Year									
WATER PRESSURE RANGE	20 to 80 PSI									
FLUSH SYSTEM	3' MagnaFlush™ Flushing Technology									
WATER USAGE	1.28 gpf / 4.8 lpf									
WATER SURFACE AREA	8' X 7'									
ROUGH-IN	12'									
MAP RATING	1,000 grams									

TECHNICAL INFORMATION**Note:** these dimensions are nominal and subject to change without notice.

Fixture performance and specifications meet or exceed ASME A112.19.2/CSA B45.1 standards, and other state and local codes.

