

ITEM NO. 3781210 / MODEL NO. 5024L55000

BARRETT™ ALCOVE**MANSFIELD®**

60" x 32" x 21-1/2", Acrylic, Swirl-Way® Whirlpool, Left-Hand

FEATURES

- High gloss, easy-to-clean acrylic with fiberglass reinforcement
- Whirlpool hydromassage system uses fully controllable, high-pressure back and body jets for complete muscle relief
- Clean geometric lines
- Hydro-V back jet system with back and body jets
- All jets are directionally and flow adjustable
- Includes one pillow
- Rectangular model with left-hand end drain
- Pre-leveled legs for easy installation
- Integrated dual armrests for bather's comfort
- Integrated tile flange and apron with removable access panel
- Spacious bathing well designed for one-person comfort
- 10-year limited warranty on acrylic
- Installation: Alcove
- Available in White




**MODEL 5024L55000**

Whirlpool



WHIRLPOOL

COMPONENTS

MODEL #	DESCRIPTION	CODES/STANDARDS
5024L55000	60" x 32" x 21-1/2" Rectangular Swirl-Way® Whirlpool, left-hand. Drain not included.	  
ACCESSORIES		
CAB-	Cable Overflow Drain (White — 1330, Chrome — 1335, Everbrass — 1336, Brushed Nickel — 1337, Oil Rubbed Bronze — 1338, Matte Black — 1339)	
TIP-	Tip Toe Overflow Drain (Chrome — 1335, Everbrass — 1336, Brushed Nickel — 1337, Oil Rubbed Bronze — 1338, Matte Black — 1339)	



ITEM NO. 3781210 / MODEL NO. 5024L55000

MANSFIELD®



BARRETT™ ALCOVE

60" x 32" x 21-1/2", Acrylic, Swirl-Way® Whirlpool, Left-Hand

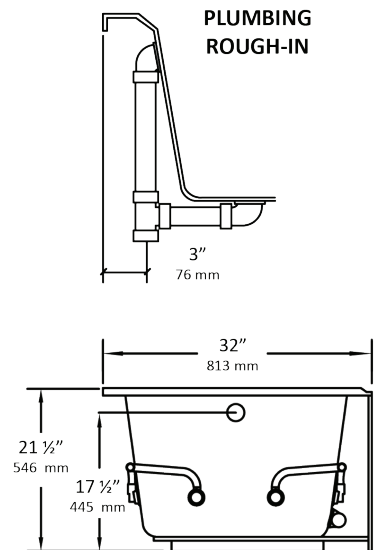
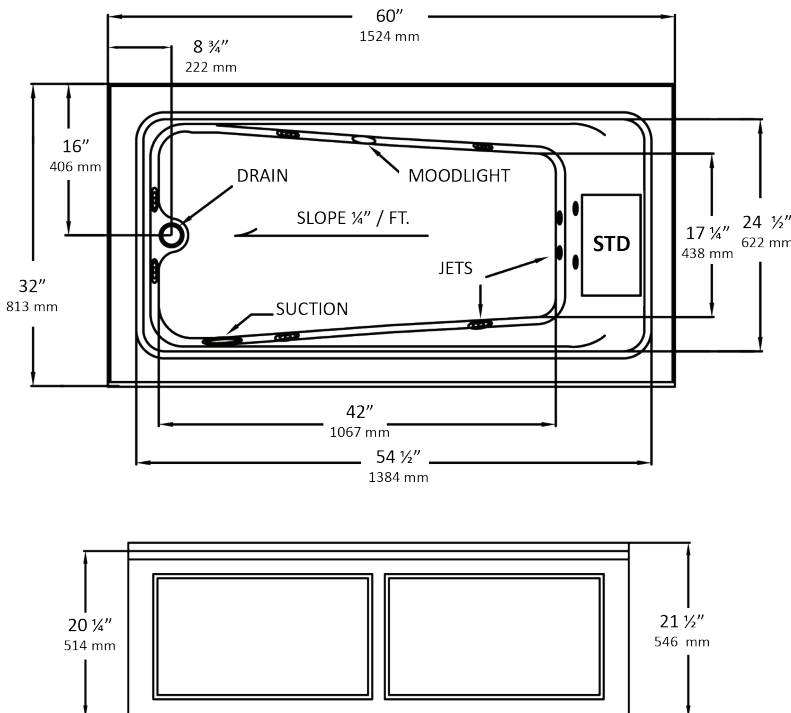
SPECIFICATIONS

MATERIAL	Acrylic, fiberglass reinforced
CONSTRUCTION	Self contained, pre-plumbed whirlpool bath system mounted on pre-leveled base.
ELECTRICAL REQUIREMENTS	One 120 volt, 20 amp GFCI dedicated circuit. Optional heater: separate 120 volt, 20 amp dedicated circuit.
NUMBER OF JETS	16

SOAKING DEPTH	14-3/4"
WATER CAPACITY	27 gal. (min.) / 57 gal. (max)
FLOOR LOADING WEIGHT	47 lbs. sq.ft.
SHIPPING WEIGHT	Model 5024L55000 - 150 lbs. (68 kg)
WHIRLPOOL PUMP	9 amp
WARRANTY	Acrylic - 10-Year

TECHNICAL INFORMATION

Note: these dimensions are nominal and subject to change without notice.



NOTES:

1. Pump location shown for clarity.
2. Required pump motor access is 20" W x 15" H.
3. Measurements may vary 1/4" (+/-)
4. Apron is integral with removable access panels for easy access to pump.
5. These dimensions are nominal and subject to

