

137CTK PRO-FIT[®] 3



Complete Toilet Kit, Elongated Front, SmartHeight[™] Vitreous China, Two-Piece Toilet Kit

FEATURES

- Complete toilet kit (CTK)
- 3-bolt SmartFasten[™] tank-to-bowl connection
- 1.6 gpf / 6.0 lpf low water consumption
- Elongated front SmartHeight[™] bowl
- 2" flush tower
- Fluidmaster[®] anti-siphon pilot fill valve
- 12" rough-in
- Model 40 chrome-plated plastic trip lever
- 2" glazed trapway
- The Mansfield[®] limited lifetime warranty
- Available in White, Biscuit, and Bone



MODEL 137CTK

Toilet seat included

Complete toilet kit



ELONGATED





SMARTHEIGHT ADA



CTK

COMPONENTS



| MODEL # | DESCRIPTION | CODES/STANDARDS |
|-------------------------------|---|---|
| 137CTK | Elongated front, SmartHeight [™] two-piece toilet kit. Includes: toilet seat, wax ring, floor bolts, caps, and multi-lingual installation instructions. Water supply hardware not included. Specify color. |   |
| 137 | Elongated front, SmartHeight [™] toilet bowl only. Less toilet seat. Specify color. | |
| 160 | Tank and cover only, with left hand, front-mount, chrome-plated, plastic trip lever. Fluidmaster [®] anti-siphon pilot fill valve. Less supply. Specify color. | |
| SB200 | Elongated front, plastic toilet seat and cover. | |
| TANK TRIM & REPLACEMENT PARTS | | |
| 40 | Trip lever - chrome-plated, plastic trip lever, left hand | |
| 211-1112 | Flush tower | |
| 400A | Fluidmaster [®] anti-siphon pilot fill valve | |
| 630-0030 | Replacement flush valve seal | |
| 160-LID | Tank lid | |

137CTK PRO-FIT[®] 3



Complete Toilet Kit, Elongated Front, SmartHeight™ Vitreous China, Two-Piece Toilet Kit

SPECIFICATIONS

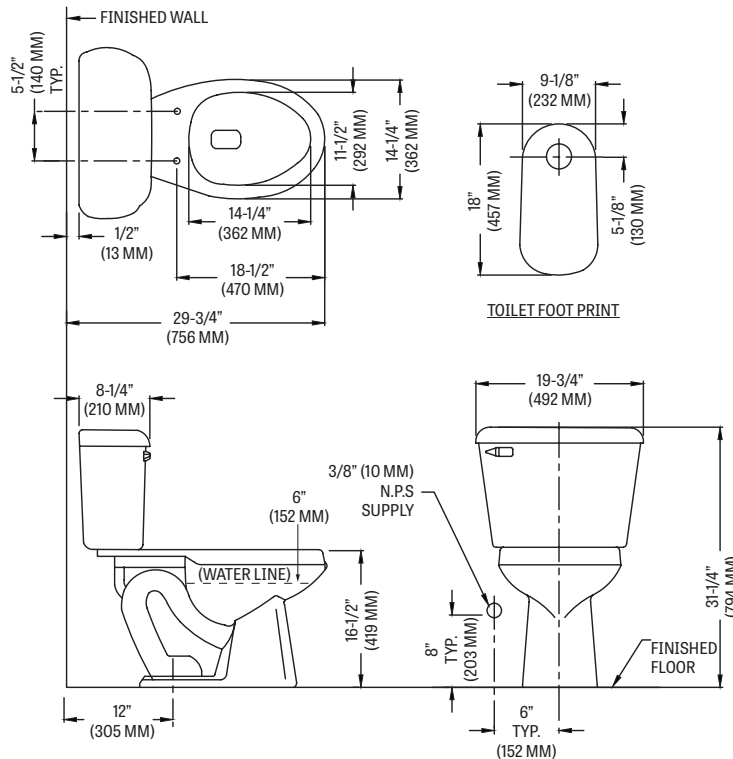
| MODEL # | DESCRIPTION | CODES/STANDARDS |
|---------|--|---|
| 137CTK | Elongated front, SmartHeight™ (1.6 gpf / 6.0 lpf) two-piece toilet kit |   |

| | |
|----------------------|-------------------|
| MATERIAL | Vitreous China |
| WATER PRESSURE RANGE | 20 to 80 PSI |
| FLUSH SYSTEM | 2" Flush Tower |
| WATER USAGE | 1.6 gpf / 6.0 lpf |
| WATER SURFACE AREA | 9" X 10" |
| ROUGH-IN | 12" |
| MaP RATING | 800 grams |

| | |
|-----------------|---|
| TRAP DIAMETER | 2" |
| TRAP SEAL | 2-5/8" |
| SHIPPING WEIGHT | Model 137CTK - 92 lbs. (41.8 kg) |
| WARRANTY | Vitreous China - Limited Lifetime Tank Trim - Limited One Year |

TECHNICAL INFORMATION

Note: these dimensions are nominal and subject to change without notice.



Fixture performance and specifications meet or exceed ASME A112.19.2/CSA B45.1 standards, and other state and local codes.