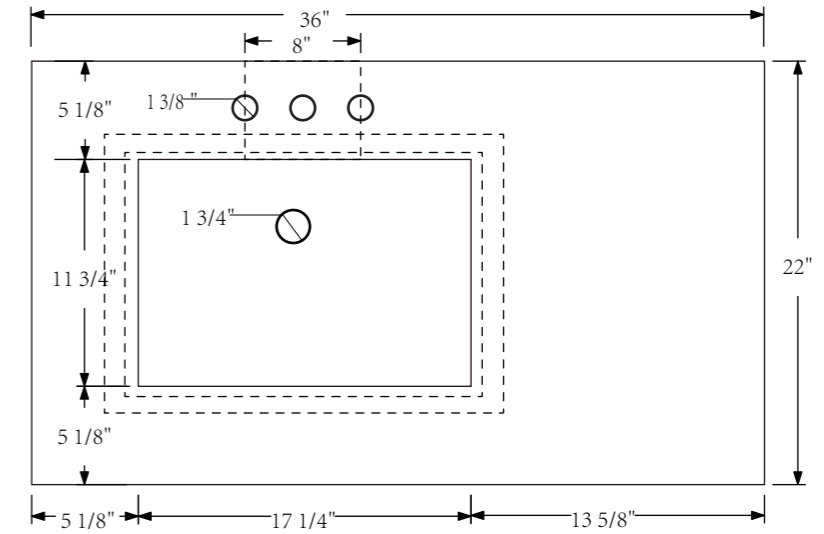
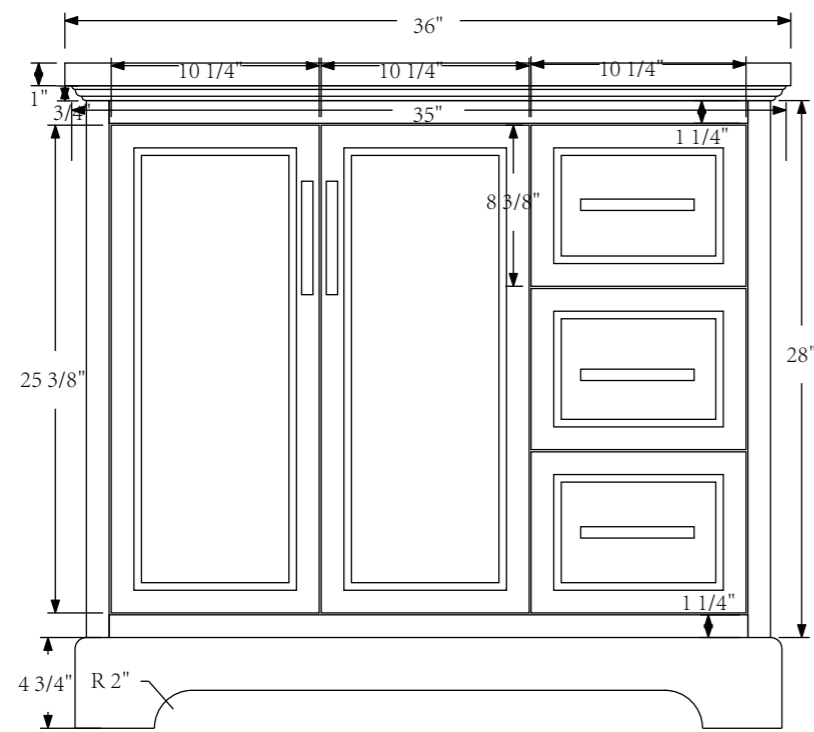


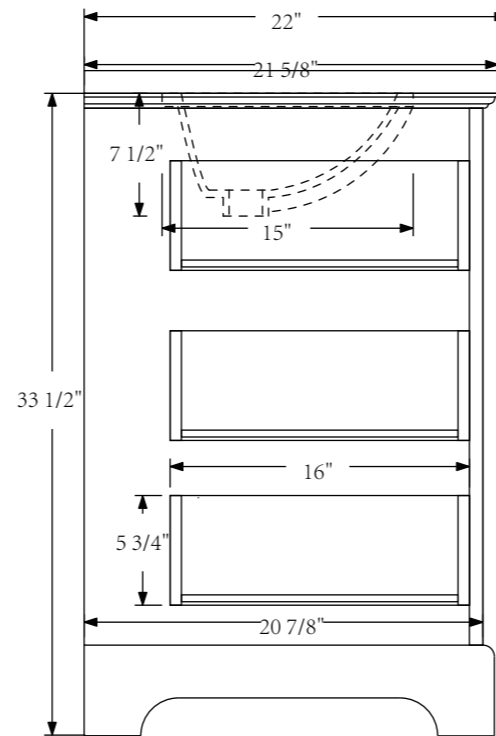
1525-36



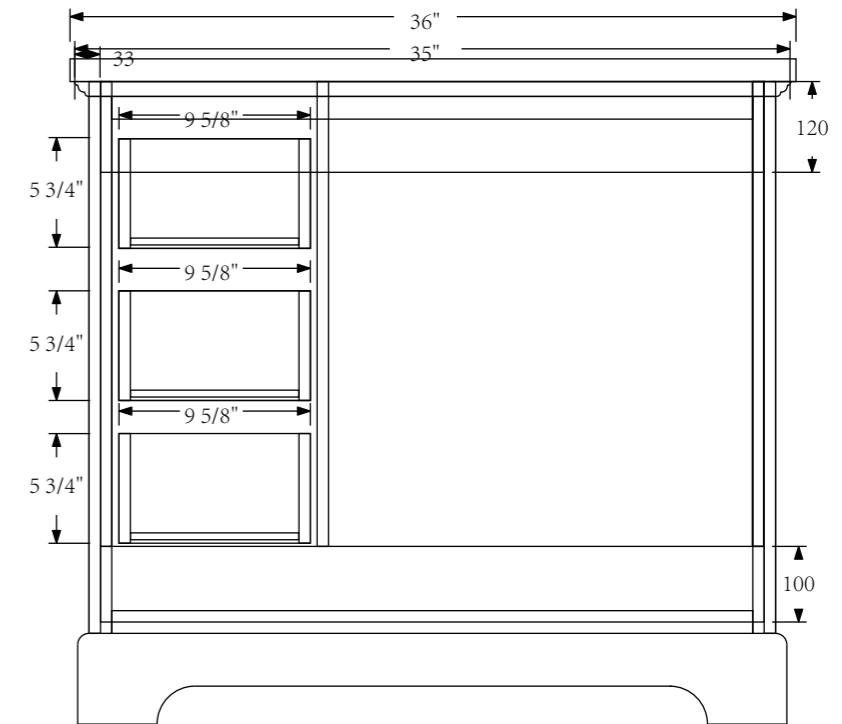
TOP VIEW



FRONT VIEW



SIDE VIEW



BACK VIEW