

# 380CTK SUMMIT®



Complete Toilet Kit, Round Front, Vitreous China, Two-Piece Toilet

## FEATURES

- Complete toilet kit (CTK)
- High performance MagnaFlush™ flushing technology
- SmartFasten™ 3-bolt tank-to-bowl connection
- 1.6 gpf / 6.0 lpf low water consumption
- Round front bowl
- Fluidmaster® pilot operated anti-siphon fill valve
- 3" Rigid Flapper flush valve – requires less force to flush, is more consistent and uses a simple universal repair part/seal
- Model 57 chrome-plated, metal trip lever
- 12" rough-in
- 2" glazed trapway
- The Mansfield® limited lifetime warranty on china;  
Five-year limited warranty on tank trim
- Available in White, Biscuit and Bone



**MODEL 380CTK**

Toilet seat included

Complete toilet kit



ROUND



CTK

## COMPONENTS


MODEL #	DESCRIPTION	CODES/STANDARDS
<b>380CTK</b>	Round front, two-piece toilet kit. Includes: toilet seat, wax toilet ring, floor bolts, caps, and multi-lingual installation instructions. Water supply hardware not included. Specify color.	
<b>380</b>	Round front toilet bowl only. Less toilet seat. Specify color.	
<b>386</b>	Tank and cover only, with left hand, front-mount, chrome-plated, metal trip lever. Less supply. Specify color.	
<b>3700</b>	Round, slow close CTK seat	
<b>TANK TRIM &amp; REPLACEMENT PARTS</b>		
<b>57</b>	Trip lever - chrome-plated, metal trip lever, left hand	
<b>2037-1212</b>	Summit® 1.6 rigid flapper flush valve	
<b>400A</b>	Fluidmaster® anti-siphon pilot fill valve	
<b>2206</b>	Anti-siphon pilot fill valve (compatible replacement)	
<b>630-0030</b>	Replacement flush valve seal	
<b>386-LID</b>	Tank lid	

# 380CTK SUMMIT®



Complete Toilet Kit, Round Front, Vitreous China, Two-Piece Toilet Kit

## SPECIFICATIONS

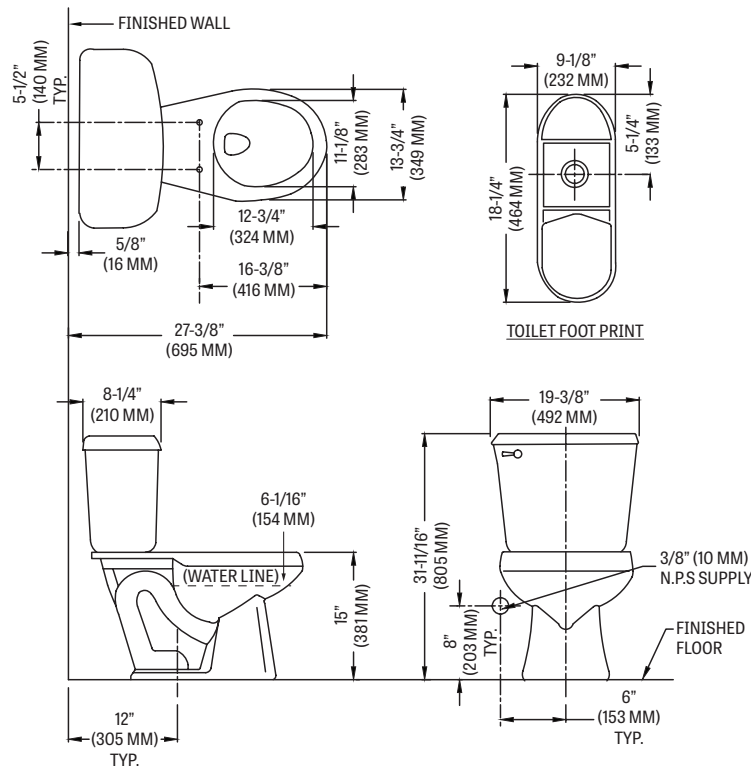
MODEL #	DESCRIPTION	CODES/STANDARDS
380CTK	Round front, (1.6 gpf/6.0 lpf) two-piece toilet kit	

MATERIAL	Vitreous China
WATER PRESSURE RANGE	20 to 80 PSI
FLUSH SYSTEM	MagnaFlush™ flushing technology
WATER USAGE	1.6 gpf / 6.0 lpf
WATER SURFACE AREA	8' X 9'
ROUGH-IN	12'
MAP RATING	1,000 grams

TRAP DIAMETER	2'
TRAP SEAL	2-3/8'
SHIPPING WEIGHT	Model 380CTK - 91 lbs. (41.2 kg)
WARRANTY	Vitreous China - Limited Lifetime Tank Trim - Limited Five Year

## TECHNICAL INFORMATION

**Note:** these dimensions are nominal and subject to change without notice.



Fixture performance and specifications meet or exceed ASME A112.19.2/CSA B45.1 standards, and other state and local codes.