

# 147-153RH QUANTUMONE™

**MANSFIELD®**

Elongated Front, Vitreous China, Two-Piece Toilet

## FEATURES

- Pressure-assist, high efficiency toilet (HET)
- 1.0 gpf / 3.8 lpf ultra-low water consumption
- SAVES up to 40% more water than conventional 1.6 gpf flushing systems
- Elongated front bowl
- 12" rough-in
- Model 49RH chrome-plated, metal trip lever
- 2" glazed trapway
- The Mansfield® Limited Lifetime Warranty  
Flushmate five-year limited warranty on vessel
- Available in white
- 600 gr MaP





**MODEL 147-153RH**

Toilet seat not included



ELONGATED

## COMPONENTS



| MODEL #                                  | DESCRIPTION  | CODES/STANDARDS   |
|--|--|---|
| 147-153RH                                | Elongated front, pressure-assist, two-piece toilet. Less toilet seat and supply.                   |   |
| 147                                      | Elongated front, pressure-assist bowl only. Less toilet seat and supply.                           |   |
| 153RH                                    | Pressure-assist tank and cover only with right hand, chrome-plated, metal trip lever. Less supply. |   |
| <b>TANK OPTIONS</b>                      |  |   |
| 153                                      | Pressure-assist tank and cover only with left hand, chrome-plated, metal trip lever. Less supply.  |   |
| <b>TANK TRIM &amp; REPLACEMENT PARTS</b> |  |   |
| 49RH                                     | Trip lever - chrome-plated, metal trip lever, right hand   |   |
| FLUSHMATE®<br>504                        | Pressure-assist flushing system. Separate warranty applies. Contact FLUSHMATE® at 1-800-533-3460.  |   |

# 147-153RH QUANTUMONE™



Elongated Front, Vitreous China, Two-Piece Toilet

## SPECIFICATIONS

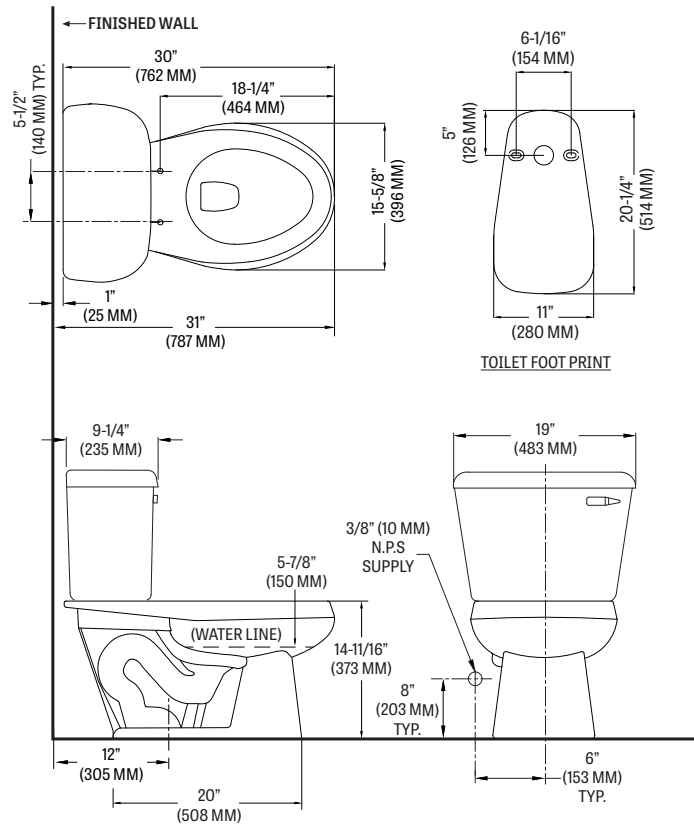
| MODEL #   | DESCRIPTION  | CODES/STANDARDS   |
|-----------|--|---|
| 147-153RH | Elongated front (1.0 gpf/3.8 lpf) two-piece toilet |   |

|                      |                                   |
|----------------------|-----------------------------------|
| MATERIAL             | Vitreous China                    |
| WATER PRESSURE RANGE | 35 to 80 PSI                      |
| FLUSH SYSTEM         | Flushmate IV™ flushing technology |
| WATER USAGE          | 1.0 gpf / 3.8 lpf                 |
| WATER SURFACE AREA   | 8-3/4' X 10-3/8'                  |
| ROUGH-IN             | 12'                               |
| MAP RATING           | 600 grams                         |

|                 |   |
|-----------------|---|
| TRAP DIAMETER   | 2'  |
| TRAP SEAL       | 2-1/4'  |
| SHIPPING WEIGHT | Model 147 - 50 lbs. (22 kg)<br>Model 153RH - 43 lbs. (19.5 kg)              |
| WARRANTY        | Vitreous China - Limited Lifetime<br>Vessel - Limited Five-Year (Flushmate) |

## TECHNICAL INFORMATION

**Note:** these dimensions are nominal and subject to change without notice.



Fixture performance and specifications meet or exceed ASME A112.19.2-2013/CSA B45.1-13 standards, and other state and local codes.