

# 380-376RH SUMMIT® PRO



Round Front, Vitreous China, Two-Piece Toilet

## FEATURES

- High performance MagnaFlush™ flushing technology
- SmartFasten™ 3-bolt tank-to-bowl connection
- 1.6 gpf / 6.0 lpf low water consumption
- Round front bowl
- Fluidmaster® pilot operated anti-siphon fill valve
- 3" Rigid Flapper flush valve – requires less force to flush, is more consistent and uses a simple universal repair part/seal
- Model 59RH color match, metal trip lever
- 12" rough-in
- 2" glazed trapway
- The Mansfield® limited lifetime warranty on china, Five-year limited warranty on tank trim
- Available in White



**MODEL 380-376RH**

Toilet seat not included



## COMPONENTS

MODEL #	DESCRIPTION	CODES/STANDARDS
<b>380-376RH</b>	Round front, two-piece toilet. Less toilet seat and supply.	
<b>380</b>	Round front toilet bowl only. Less toilet seat.	
<b>376RH</b>	Tank and cover only, with right hand, front-mount, color match, metal trip lever. Less supply.	
TANK TRIM & REPLACEMENT PARTS		
<b>59RH</b>	Trip lever - color match, metal trip lever, right hand	
<b>2037-1212</b>	Summit® 1.6 rigid flapper flush valve	
<b>400A</b>	Fluidmaster® anti-siphon pilot fill valve	
<b>2206</b>	Anti-siphon pilot fill valve (compatible replacement)	
<b>630-0030</b>	Replacement flush valve seal	
<b>386-LID</b>	Tank lid	

# 380-376RH SUMMIT® PRO



Round Front, Vitreous China, Two-Piece Toilet

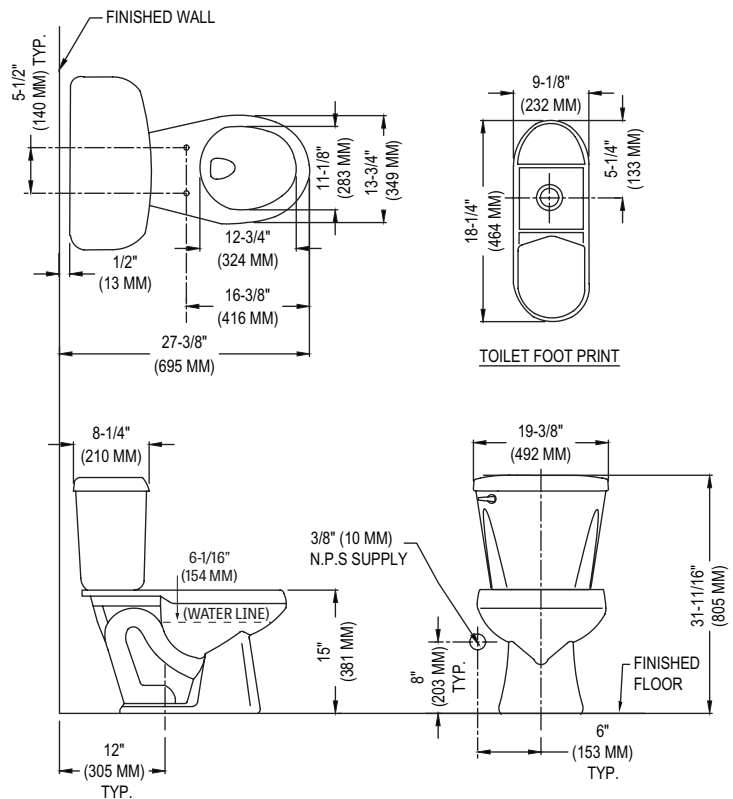
## SPECIFICATIONS

MODEL #	DESCRIPTION	CODES/STANDARDS
380-376RH	Round front, (1.6 gpf/6.0 lpf) two-piece toilet	

MATERIAL	Vitreous China
WATER PRESSURE RANGE	20 to 80 PSI
FLUSH SYSTEM	MagnaFlush™ flushing technology
WATER USAGE	1.6 gpf / 6.0 lpf
WATER SURFACE AREA	8" X 9"
ROUGH-IN	12"
MAp RATING	1,000 grams

TRAP DIAMETER	2"
TRAP SEAL	2-1/4"
SHIPPING WEIGHT	Model 380 - 49 lbs. (22.2 kg) Model 376RH - 36 lbs. (16.3 kg)
WARRANTY	Vitreous China - Limited Lifetime Tank Trim - Limited Five Year

TANK OPTIONS	TECHNICAL INFORMATION
376 Variation of model 376RH, with left hand trip lever.	<b>Note:</b> these dimensions are nominal and subject to change without notice.



Fixture performance and specifications meet or exceed ASME A112.19.2/CSA B45.1 standards, and other state and local codes.