

137-3173 ALTO® 1.28



Elongated Front, SmartHeight™ Vitreous China, Two-Piece Toilet

FEATURES

- 3-bolt SmartFasten™ tank-to-bowl connection
- 1.28 gpf / 4.8 lpf high efficiency water consumption
- Uses 20% less water than conventional toilets
- Elongated front SmartHeight™ bowl
- 3-2" hybrid flapper flush valve
- Fluidmaster® anti-siphon pilot fill valve
- 12" rough-in
- Model 31 color-match, plastic trip lever
- 2" glazed trapway
- The Mansfield® Limited Lifetime Warranty
- Available in White, Biscuit, and Bone



MODEL 137-3173

Toilet seat not included

Available as CTK



ELONGATED



SMARTHEIGHT ADA



CTK

COMPONENTS

| MODEL # | DESCRIPTION | CODES/STANDARDS |
|----------|--|-----------------|
| 137-3173 | Elongated front, SmartHeight™ two-piece toilet. | |
| 137 | Elongated front, SmartHeight™ toilet bowl only. Less toilet seat. Specify color. | |
| 3173 | Tank and cover only with left hand, front-mount, color-match, plastic trip lever. Fluidmaster® anti-siphon pilot fill valve. Less supply. Specify color. | |

TANK TRIM & REPLACEMENT PARTS





| | |
|----------|---|
| 31 | Trip lever - color-match, plastic trip lever, left hand |
| 228 | 3-2" Hybrid flapper flush valve |
| 400A | Fluidmaster® anti-siphon pilot fill valve |
| 2206 | Anti-siphon pilot fill valve (compatible replacement) |
| 630-0207 | 3" Replacement flapper kit |
| 160-LID | Tank lid |

137-3173 ALTO® 1.28



Elongated Front, SmartHeight™ Vitreous China, Two-Piece Toilet

SPECIFICATIONS

| MODEL # | DESCRIPTION | CODES/STANDARDS |
|----------|---|---|
| 137-3173 | Elongated front, SmartHeight™ (1.28 gpf / 4.8 lpf) two-piece toilet |     |

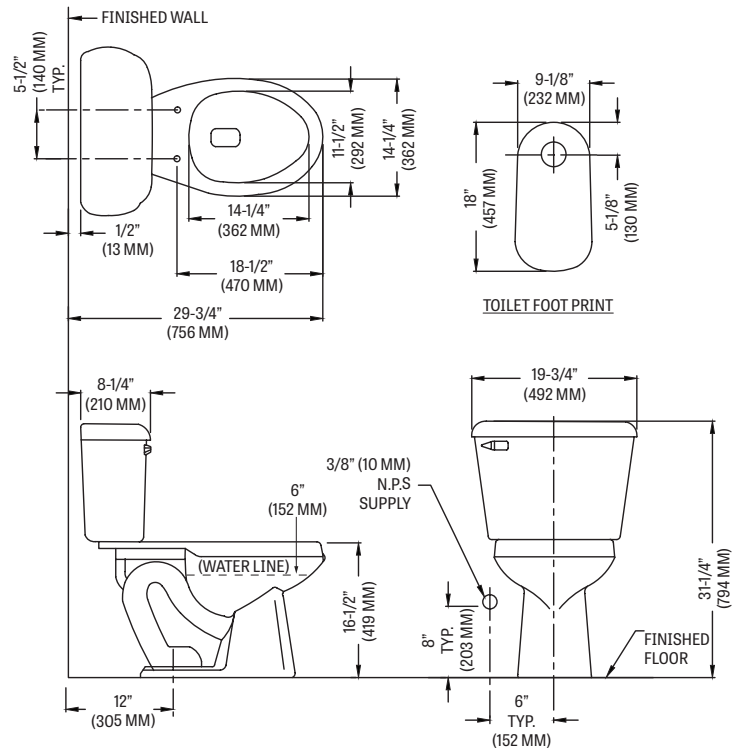
| | |
|----------------------|---------------------------------|
| MATERIAL | Vitreous China |
| WATER PRESSURE RANGE | 20 to 80 PSI |
| FLUSH SYSTEM | 3-2" Hybrid flapper flush valve |
| WATER USAGE | 1.28 gpf / 4.8 lpf |
| WATER SURFACE AREA | 9" X 10" |
| ROUGH-IN | 12" |
| MaP RATING | 800 grams |

| | |
|-----------------|---|
| TRAP DIAMETER | 2" |
| TRAP SEAL | 2-5/8" |
| SHIPPING WEIGHT | Model 137 - 56 lbs. (24 kg) Model 3173 - 34 lbs. (15 kg) |
| WARRANTY | Vitreous China - Limited Lifetime Tank Trim - Limited One Year |

| TANK OPTIONS | |
|--------------|---|
| 3173 | Standard 1.28 gpf configuration: 3-2" hybrid flapper flush valve, Fluidmaster® anti-siphon pilot fill valve, left hand, color-match trip lever. |
| 3173RH | Variation of model 3173, with right hand, color-match trip lever. |
| 3165 | Variation of model 3173, with cover lock. |
| 3174 | Variation of model 3173, with tank liner. |
| 3120 | Variation of model 3173, with left hand, chrome trip lever. |
| 3125 | Variation of model 3173, 14" rough-in. |

TECHNICAL INFORMATION

Note: these dimensions are nominal and subject to change without notice.



Fixture performance and specifications meet or exceed ASME A112.19.2/CSA B45.1 standards, and other state and local codes.