

IMPORTANT HOME OWNER INFORMATION

PRO-FIT[®] BUILDER SERIES ACRYLIC BATHWARE

Whirlpools, Air Massage Baths,
and Bathtubs



 **MANSFIELD[®]**

INSTALLATION GUIDE

IMPORTANT SAFETY INSTRUCTIONS, READ AND FOLLOW ALL INSTRUCTIONS. SAVE THESE INSTRUCTIONS! INSTALL TO PERMIT ACCESS FOR SERVICING. INSTALL THIS UNIT IN ACCORDANCE WITH THE LOCAL ELECTRICAL CODE AND WITH THE MANUFACTURER'S INSTALLATION INSTRUCTIONS

CONNECT ONLY TO A BRANCH CIRCUIT PROTECTED BY AN OVERCURRENT PROTECTION DEVICE RATED NOT MORE THAN 20A.

DANGER: RISK OF ELECTRICAL SHOCK, DISCONNECT ELECTRIC POWER BEFORE SERVICING. FOR INDOOR USE ONLY.

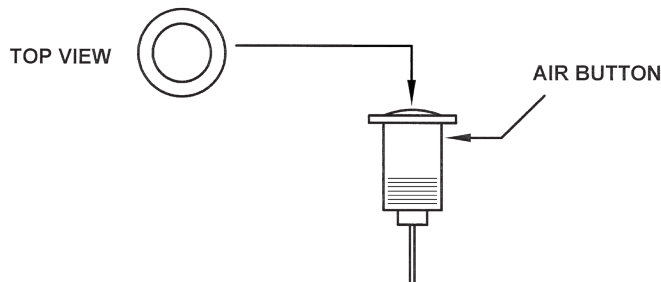
WARNING - IMPORTANT SAFETY INSTRUCTIONS

- 1. READ AND FOLLOW ALL INSTRUCTIONS.**
- 2. DANGER:** To reduce the risk of injury, do not permit children to use this unit unless they are closely supervised at all times.
- Use this unit only for its intended use as described in this manual. Do not use attachments not recommended by the manufacturer.
- Never drop or insert any object into any opening.
- Do not operate this unit without the guard over the suction fitting.
- The unit must be connected only to a supply circuit that is protected by a ground-fault circuit interrupter (GFCI). Such a GFCI should be provided by the installer and should be tested on a routine bases. To test the GFCI, push the test button. The GFCI should interrupt power. Push the reset button. Power should be restored. If the GFCI fails to operate in this manner, the GFCI is defective. If the GFCI interrupts power to the bathtub without the test button being pushed, a ground current is flowing, indicating the possibility of an electric shock. Do not use this hydromassage bathtub. Disconnect the hydromassage bathtub and have the problem corrected by a qualified service representative before using.
- Any servicing should be performed by a qualified service representative.
- If a factory installed inline water heater is supplied with hydromassage bathtub, be aware that it operates while the pump is running and may increase the water temperature of your bathtub. It will not heat the water to higher than 40°C (104°F).
- Prolonged immersion in hot water may induce hyperthermia. Hyperthermia occurs when the internal temperature of the body reaches a level several degrees above the normal body temperature of 98.6°F. The symptoms of hyperthermia include an increase in in the internal temperature of the body, dizziness, lethargy, drowsiness, and fainting. The effects of hyperthermia include:
 - Failure to perceive heat,
 - Failure to recognize the need to exit the hydromassage bathtub,
 - Unawareness of impending hazard,
 - Fetal damage in pregnant women,
 - Physical inability to exit the hydromassage bathtub, and
 - Unconsciousness resulting in the danger of drowning.
- 10. WARNING:** The use of alcohol, drugs, or medication can greatly increase the risk of fatal hyperthermia.
- 11. WARNING:** When using electrical products, basic precautions should always be followed, including the following:
 - **DANGER: RISK OF ELECTRIC SHOCK.** Connect only to a circuit protected by a ground-fault circuit interrupter.
 - Grounding is required. The unit should be installed by a qualified service representative and grounded.
- 12. WARNING:** to avoid injury, exercise care when entering or exiting the hydromassage bathtub.
- 13. WARNING:** risk of electric shock; do not permit electric appliances (such as a hair dryer, lamp, telephone, radio or television) within 5 ft. of this hydromassage bathtub.
- 14. CAUTION:** test the ground fault circuit interrupter protecting this appliance periodically in accordance with the manufacturer's instructions.

WHIRLPOOL OPERATING INSTRUCTIONS

BEFORE OPERATING THE WHIRLPOOL OR AIR MASSAGE SYSTEM, FILL THE BATH TO NORMAL BATHING LEVEL. (MINIMAL 3" BELOW OVERFLOW).

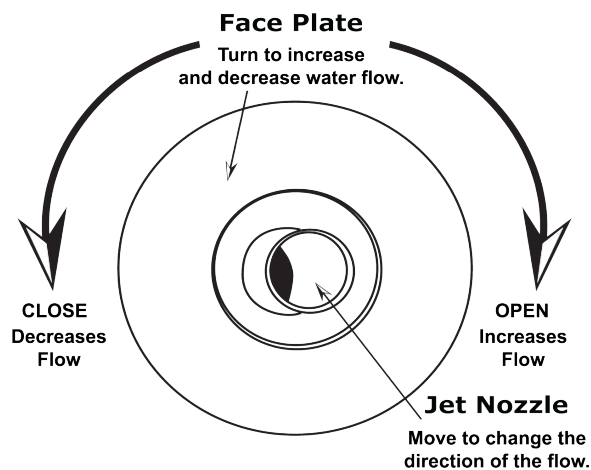
OPERATION OF AIR BUTTON – Simply press the air button and the system will turn on. Press the air button again and the system will turn off.



OPERATION OF JETS

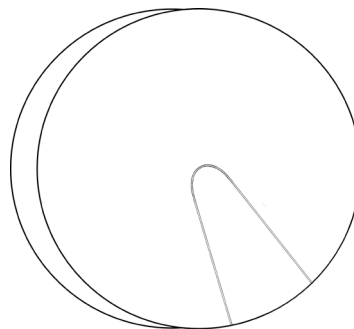
The Pro-fit® Adjustable Jet can be adjusted for the optimal water flow. Turning the face plate clockwise increases water flow and counter clockwise decreases water flow.

The Jet Nozzle is also adjustable by moving the nozzle which changes the direction of the water flow. This allows various body areas to be targeted for a therapeutic hydro massage.



OPERATION OF AIR CONTROL KNOB

The PRO-FIT® Air control knob controls the amount of air introduced into the water stream of the jets. It does not control the volume of the flow of water from each jet. The volume is adjustable at each jet as described above.

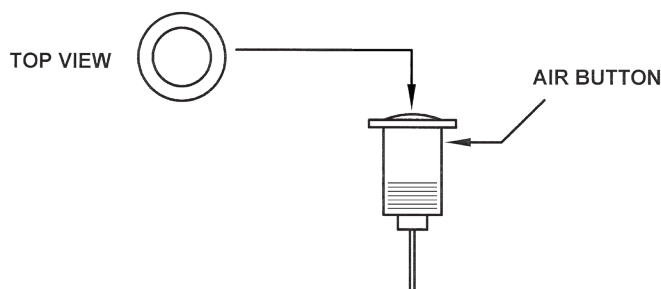


AIR MASSAGE BATH OPERATING INSTRUCTIONS

**BEFORE OPERATING THE AIR BATH, FILL THE BATH TO NORMAL BATHING LEVEL.
(MINIMAL 3" BELOW OVERFLOW).**

1. **OPERATION OF AIR BUTTON** - Press the air button once and the blower will power on. Press the air button a second time to turn the blower off.
2. **BLOWER TIMER** - The system is equipped with a 20-minute timer. The blower will turn off automatically after the time has elapsed.
3. **PURGE and DRY CYCLE** - A one minute purge and dry cycle will activate 20 minutes after the Blower is turned off. When the bather is finished, the water should be drained from the bathtub. The blower will reactivate 20 minutes after it is turned off and will run for one minute. The blower will turn back off after one minute.

OPERATION OF AIR BUTTON – Simply press the air button and the system will turn on. Press the air button again and the system will turn off.



INSTALLATION GUIDE

BEFORE YOU START

Read the instructions completely prior to beginning installation.

1. Carefully inspect the unit for any damage, missing parts, breakage or scratches that may have occurred during shipping or handling. If necessary, file a claim immediately with the freight carrier.
2. Physically measure the unit and verify against the specification sheet. Tolerances are +/- 1/4". (Specs are subject to change without notice).
3. Water test all whirlpool baths before proceeding with installation. Each unit has been tested in our facility to ensure water tight seals. However, rough handling during shipping may cause leaks. Locate the whirlpool bath in an area where it can be filled and drained easily. Fill the unit with water to one (1) inch below overflow. Allow water to stand in unit for five (5) minutes and check for leaks. Operate whirlpool bath for at least fifteen (15) minutes. Check the entire system for leaks before, during and after operation.

Thank you for purchasing our product and taking the time to read these instructions. For the best quality installation, we recommend you use professional carpenters, licensed plumbers and a licensed electrician. If you have any questions, discover any damage, leaks, missing parts, etc., do not proceed with installation. Call our Customer Service Department at 877-850-3060. We will be happy to help you.

SHIPPING PROTECTION OF THE WHIRLPOOL BATH

4. Mansfield has provided protective materials with each product to protect the unit from damage during shipping and installation. The use of any protective material is highly recommended to prevent any unnecessary damage such as scratches, abrasions or cracks.
5. Cut-out templates are also provided for each oval unit. The template is included with the product packaging.

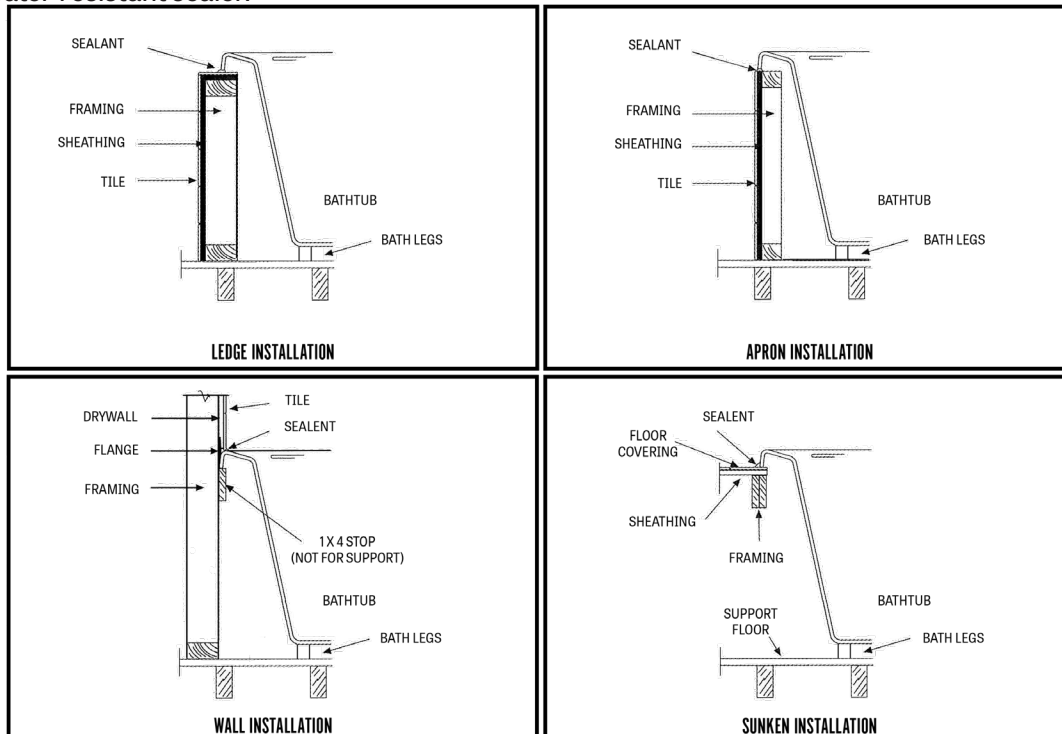
NOTE: ANY ALTERATIONS, ADDITIONS OR DELETIONS MADE TO THE WHIRLPOOL SYSTEM, PUMP OR BATH WILL VOID THE WARRANTY.

6. Literature dimensions are for general reference only. Installation dimensions should be taken directly from the bath. An **ACCESS PANEL MUST BE PROVIDED** at the pump end of the whirlpool allowing sufficient clearance to make final connections and for servicing the pump and power panel. Access of at least 12" x 18" (305 mm x 457 mm) may be through the wall or platform apron at the end of the unit, or in the case of sunken installations, through the ceiling below.
7. **DO NOT USE PUMP OR ANY PORTION OF THE PLUMBING FOR LIFTING OR POSITIONING OF TUB.**
8. Install the drain fitting to the bath. **THE DRAIN FITTING WILL PROTRUDE BELOW THE BASE OF THE TUB APPROXIMATELY 1"**. Clearance must be provided for the drain by cutting a channel in the sub floor or by installing blocking under the tub legs. **WARNING: FACTORY APRONS DO NOT ALLOW FOR BLOCKING UP OF THE TUB.** All blocking must be solid and provide uniform support to the bottom of each leg. Bath legs must rest entirely and firmly on the sub floor. **DO NOT SUPPORT THE WEIGHT OF THE BATH BY THE RIM.**
9. When leveling is required, use shims under the legs to provide uniform support to the bottom of the tub. Installing the unit in deck mud is optional and provides additional support. When combined with proper wall insulation, this significantly reduces the water circulation noise normally associated with whirlpools. **CAUTION: DO NOT USE DECK MUD WHEN INSTALLING AN AIR MASSAGE BOTH OR COMBINATION WHIRLPOOL AND AIR MASSAGE BATH DUE TO THE PIPING SYSTEM THAT IS UNDERNEATH THE BOTTOM OF THE TUB.**
10. Frame out under the tub rim as shown in the basic installation diagrams. **NOTE: DUE TO THE VARIETY OF INSTALLATIONS POSSIBLE WITH THIS BATH, FRAMING PROCEDURES OTHER THAN THOSE DESCRIBED MAY BE REQUIRED.** A ledge under the rim, or an apron without a ledge, may be constructed as required. Where installation will be against a wall, stud wall framing should allow for wall sheathing material to run full length to the floor. Install tub against sheathing as indicated, with blocking below rim to prevent deflection or movement of the tub, but ensuring the tub is not supported in any way by the blocking.
11. When placing the tub in a platform or floor cutout, the opening should be 1" smaller than the specified rim dimensions. Extreme care must be taken in this type of installation to ensure the bath will come to rest entirely on the base and not on the rim.
12. Install standard 1 1/2" trap to drain and overflow. Before proceeding, make final operational check by filling tub with

INSTALLATION GUIDE (CONTINUED) AND DIAGRAMS

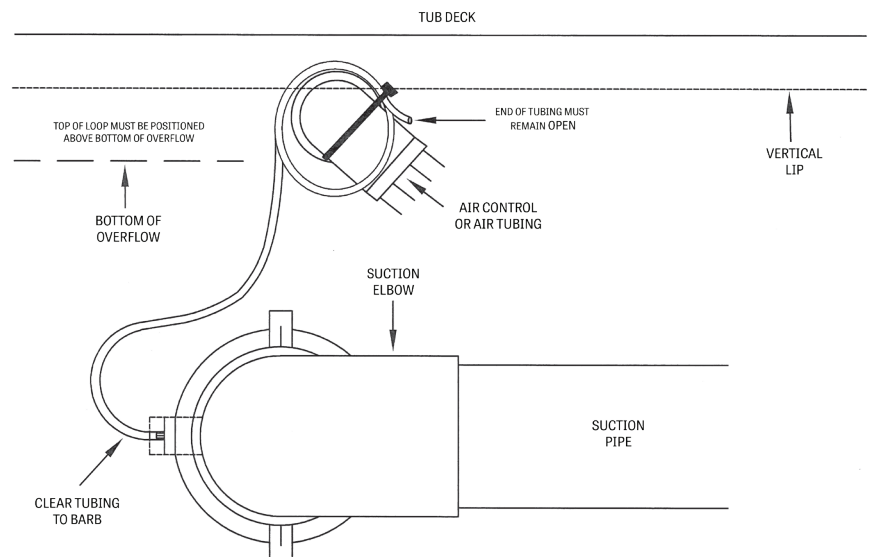
water to the overflow and operate pump for 15 minutes. Carefully check for leaks both while pump is activated and while the pump is turned off. Allow water to stand in bath for at least 30 minutes before draining. **MANSFIELD WILL NOT BE RESPONSIBLE FOR WATER DAMAGE OF ANY KIND IN CONNECTION WITH ONE OF OUR WHIRLPOOLS.** At this point, the bath must be checked to ensure proper drainage of the bath floor.

13. Always reference faucet manufacturer's installation instructions. Install fill valves and spout in desired location. When selecting fill spout, ensure that it is long enough to clear the bath rim from its desired location on or near the bath. When installing, be sure to hold the spout in its intended location and check for proper clearance. If installation is to be on the bath, check backside of bath for adequate space for connection to water lines before drilling or cutting the bath.
14. Complete installation by trimming around bath with desired finish materials. Seal joints under bath rim and against wall with water resistant sealer.



SUCTION LOOP

The suction fitting on the whirlpool contains a safety device (check valve) which allows the pump to cavitate if an object obscures the suction cover and allows the object to be easily removed. As a secondary safety measure, a tube is attached to the suction and looped at the highest level underneath the tub rim and above the bottom of the overflow. If this tube is not attached as shown in the diagram, it **MUST** be reattached to the uppermost part of the underside of the deck. Water test the system to ensure there are no leaks.



ELECTRICAL INSTRUCTIONS

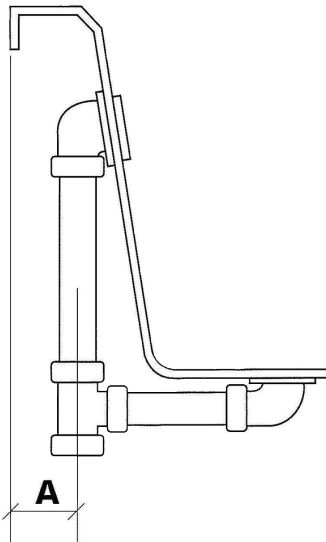
WARNING: ALL ELECTRICAL CONNECTIONS SHOULD BE MADE BY A LICENSED, LOCALLY CERTIFIED ELECTRICIAN, IN ACCORDANCE WITH THE REQUIREMENTS OF THE NATIONAL ELECTRIC CODE AS WELL AS APPLICABLE STATE AND LOCAL CODES AND PROCEDURES.

WARNING: RISK OF ELECTROCUTION.

1. All whirlpool and air massage baths must be connected to a dedicated 120V 15A circuit and protected by a ground-fault circuit interrupter.
2. If an optional in-line heater is installed on the whirlpool bath, it must be connected to its own dedicated 12V 15A circuit and protected by a ground-fault circuit interrupter.

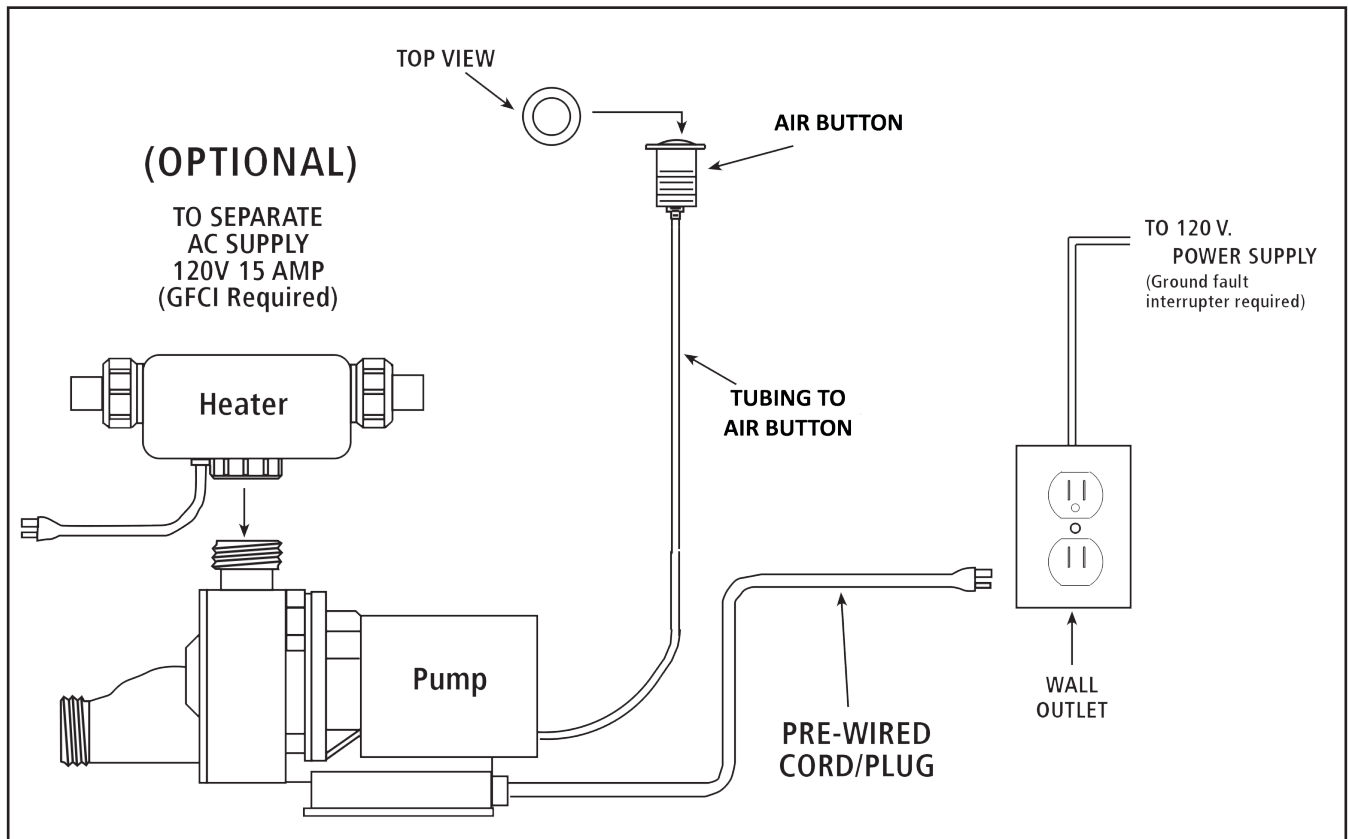
REFERENCE WHIRLPOOL AND AIR MASSAGE BATH WIRING DIAGRAMS.

PLUMBING ROUGH-IN DIMENSIONS

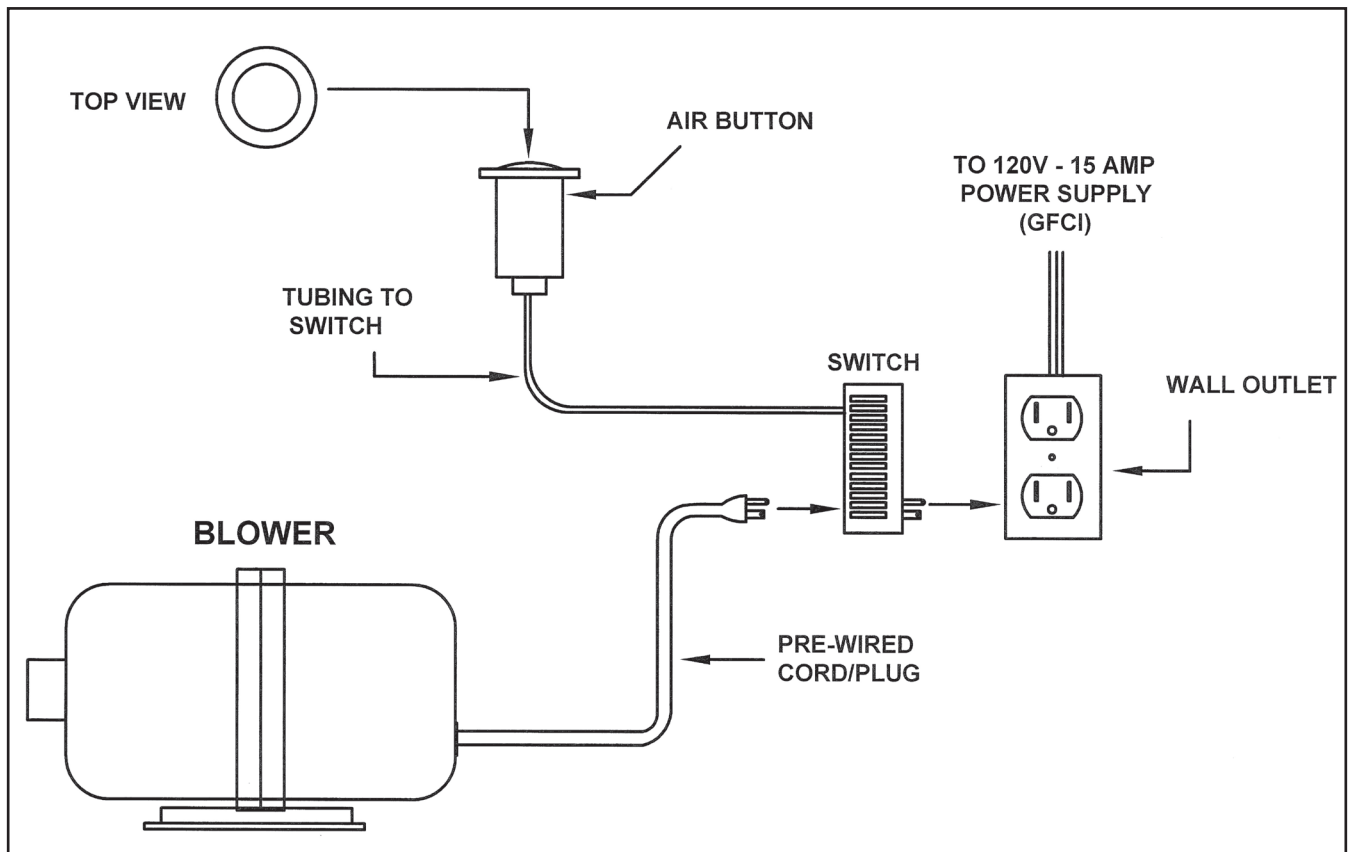


MODEL	A	MODEL	A
3260	1-1/2"	6060 DL	2"
3660	2-1/2"	3060 TFS NCA	1-1/4"
3660 OV	2-1/4"	3260 TFS NCA	1-1/4"
3666 OV	2-3/4"	3260 TFS	1-1/2"
3672 OV	2-3/4"	3660 TFS	2-1/2"
3672	3-3/4"	3672 TFS	3-3/4"
4260	2-1/4"	4260 TFS	2-1/4"
4260 OV	2-1/4"	4260 TFS CD	2-1/4"
4268 OV ED	1-1/2"	4272 TFS	2-1/2"
4268 OV CD	2"	3060 TFS PS	2"
4272	2-1/2"	3260 TFS PS	2"
4872	2-3/4"	3060 TFS PS AFR	2"
6060	3"	3260 TFS PS AFR	2"

WHIRLPOOL BATH WIRING DIAGRAM



AIR MASSAGE BATH WIRING DIAGRAM



APRON TRIMMING INSTRUCTIONS

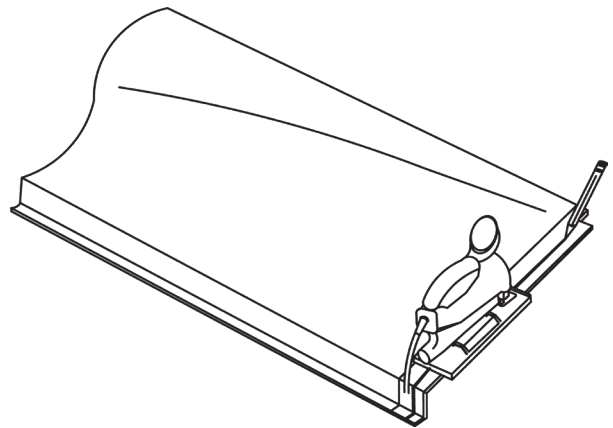
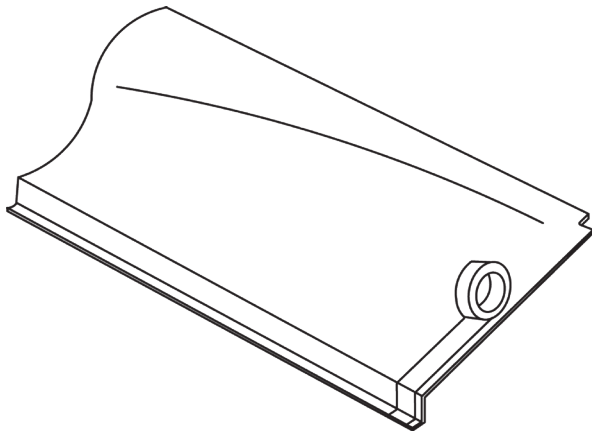
INSTRUCTIONS APPLICABLE TO RECTANGULAR MODELS

Optional removable aprons are available with some models for alcove installations. **IMPORTANT:** The use of mortar or gypsum plaster mix is recommended on all installations. However, when installing a bath that requires a removable apron it is important that the bath not be raised from the subfloor more than $\frac{1}{4}$ ".

TRIMMING INSTRUCTIONS

1. Protect the acrylic with tape.
2. Mark off evenly on both ends the amount of apron not needed.
3. Always add approximately $\frac{1}{8}$ " to total measurement.*
4. When marking line to be trimmed, be sure that the line is square with top of apron.
5. Secure apron on table firmly so that it does not move.
6. Cut using a jigsaw with a melamine blade or metal blade (minimum 14 teeth/inch).
7. Dress rough edges or chipped acrylic using a belt sander, orbital sander or sanding block. (60 grit paper recommended).

*Remember it is always better to allow for mistakes. Mark off extra and sand back to exact lines.



APRON INSTALLATION INSTRUCTIONS

See diagrams below for rectangular apron installation. **IMPORTANT:** Use of factory aprons requires the unit to be secured directly to the subfloor. The subfloor **MUST** be the same height as the finished floor or the apron cannot be installed. After the installer has decided the exact measurement, the panel or apron should be trimmed by following the procedures on the previous page.

The following tools and parts will be needed for installation:

Parts:

- Six (6) #6 Self-tapping wood screws
- One (1) 1 1/2" x 1 1/2" plastic angle
- One (1) apron panel
- One (1) Toe strip with Velcro fastener
- One (1) 2" x 2" wood strip the length of the bath

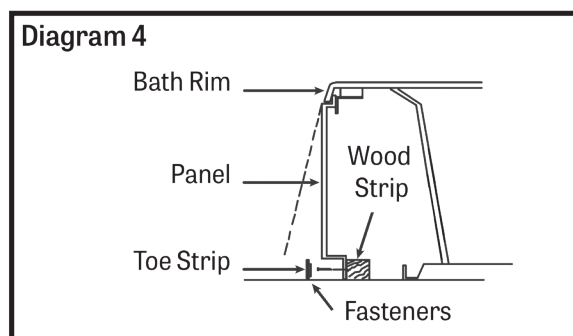
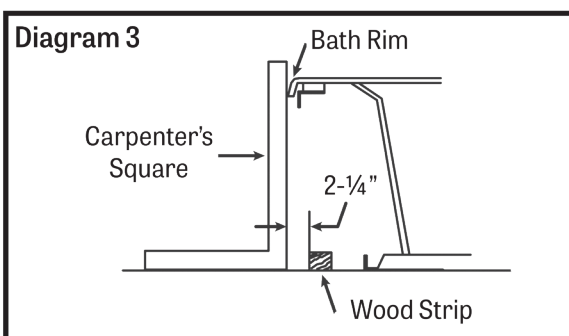
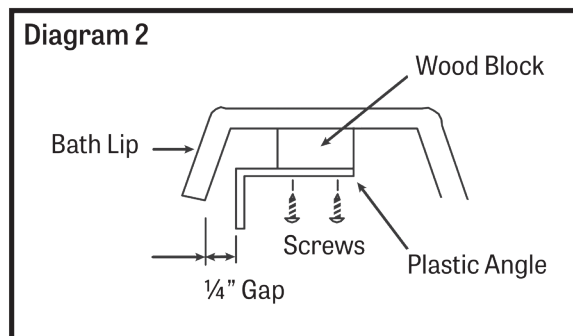
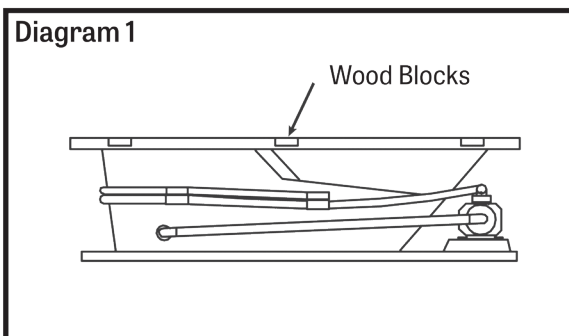
Tools needed:

- Phillips head screwdriver or power driver with attachments.
- 1/8" drill bit
- Framing square

1. If necessary, trim panel to dimensional requirements. See Trimming Instructions on previous page.
2. Locate the three wooden blocks attached to the underside of the bath deck. See Diagram 1
3. Remove the peel-off backing from the 1 1/2" x 1 1/2" plastic angle. Note: the plastic angle should be 2" shorter than the bath length.
4. Position the angle on the wooden blocks, leaving a 1/4" gap between the angle and the bath lip. See Diagram 2.
5. Drill two 1/8" pilot holes through the plastic angle at each wooden block location. Note: Do not penetrate the wooden block more than 1/8" depth.
6. Secure the plastic angle to the wooden blocks with two

#6 self-tapping screws per block.

7. Using a carpenter's square, place a mark on the floor at each end of the bath, precisely vertical with bath rim. See Diagram 3.
8. Now measure a distance of 2 1/4" inward from each mark toward the bath base. This will spot your 2" x 2" wood strip location.
9. Secure the wood strip by lagging to the floor or attaching each end to the bottom surrounding framework.
10. Before positioning, detach the toe strip from the panel by separating the Velcro fastener. Align the top edge of the panel so it is parallel with the bottom of the bath rim. Slip the panel up between the rim and the plastic angle while holding the panel at the bottom. Move it inward toward the bath and butt the toe kick against the 2" x 2" wood strip. The panel should be positioned vertically with the bath rim, and the top offset should meet the bottom of the bath rim. Installation can be assisted by cutting two 2" x 4" blocks and shimming underneath the toe space to keep the panel aligned while attaching.
11. Secure the toe space flange to the 2" x 2" wood strip by positioning the screws at the factory drilled 3/16" hole location and screwing the wood strip as shown in Diagram 4. Attach the toe strip to the flange.

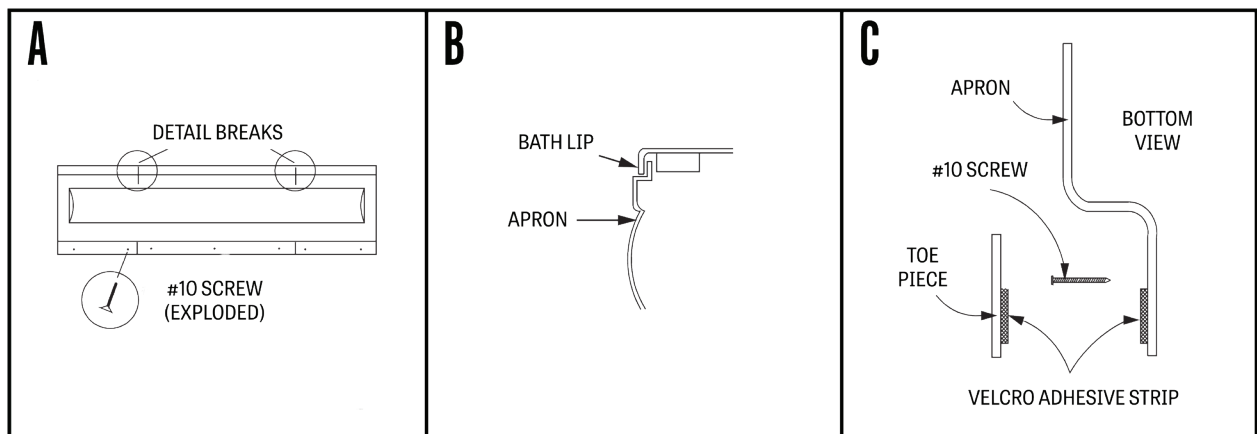


CORNER APRON INSTALLATION INSTRUCTIONS

TOOLS NEEDED FOR CORNER INSTALLING APRON:

- Seven (7) #10 1 1/2" flathead screws (included with apron).
- Drill
- 1/8" drill bit
- Phillips head screwdriver

1. Follow steps 8 – 12 under Removable Apron Installation Instructions.
2. Position apron under the bath lip. Be sure detail breaks on the apron and bath are aligned.
3. Align provided toe piece with bottom of apron and secure with Velcro strips (Diagram C). Toe piece will cover exposed portion of screws.

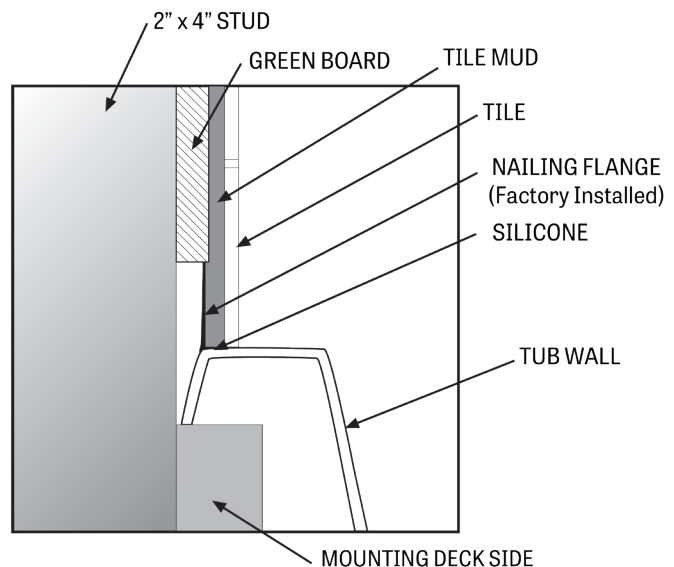


OPTIONAL NAILING FLANGE (FACTORY INSTALLED)

The optional factory installed nailing flange is secured to the tub with bonding adhesives and silicone sealers. The purpose of the nailing flange is to create a water tight seal to protect from water running behind the wall. The nailing flange may be nailed or screwed to the stud wall. This permits installing the bath next to walls.

NOTE: The Nailing flange is an optional feature and can be ordered with almost any rectangular or corner model.

An optional field installed Nailing Flange Kit is also available. (Installation Instructions on following page).



OPTIONAL NAILING FLANGE KIT (FIELD INSTALLED)

The optional field installed nailing flange kit is secured to the tub with tacky tape. The purpose of the nailing flange is to create a water tight seal to protect from water running behind the wall. The nailing flange may be nailed or screwed to the stud wall. This permits installing the bath next to walls.

NOTE: The Nailing flange kit is an optional feature and can be ordered with almost any rectangular or corner model.

Installation Instructions:

1. Apply nailing flange immediately prior to bath installation.
2. Clean the bath rim to remove any dust or debris. Reference Diagram (A).
3. Determine the length of nail flange material needed for installation by measuring the length of the bath rim. Start and finish the nail flange 3/4" (19 mm) in from each end of the bath.
4. Mark the corner locations and notch the nail flange to allow the material to bend around each corner. Notch only the inside flange and do not cut through the tile flange. Reference Diagram (B).
5. Apply adhesive tacky tape to the bath rim as shown in Diagram (A).
6. Attach the nail flange to the bath rim starting at one corner. Make sure the back of the nail flange is as vertical as possible.
7. Press the nail flange firmly in place. Note: A wooden block or laminate roller may be used to ensure that the flange is applied smooth and firm.
8. The bath is now ready for installation.

DIAGRAM A:

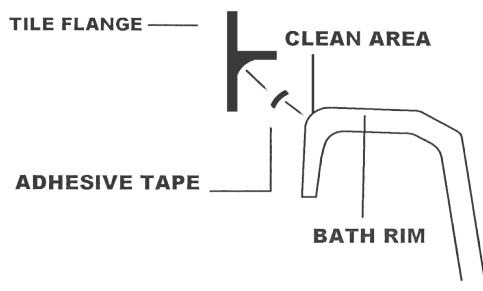
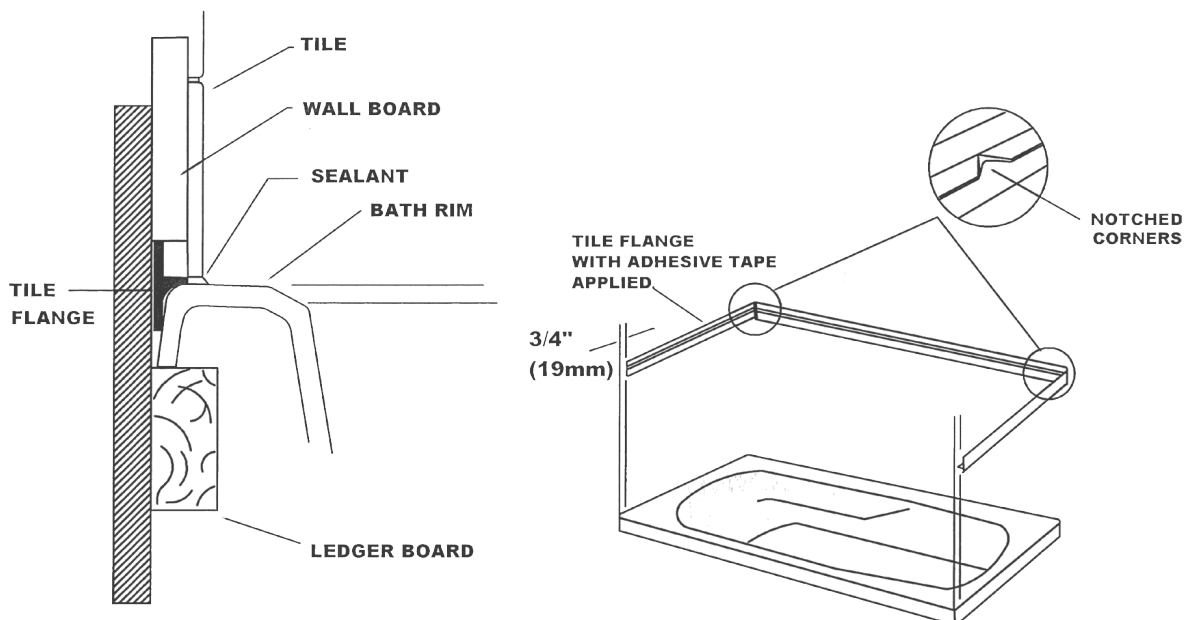


DIAGRAM B:



MAINTENANCE, CLEANING AND REPAIRS

Your Swirl-Way® Whirlpool is made of acrylic. Acrylic provides a beautiful, high-gloss finish that is extremely durable and is a beautiful look in any bathroom.

IMPORTANT! Use the recommended information described in this section. Use of other cleaning materials and/or methods may harm your whirlpool and will void your warranty. The whirlpool surface will retain its color and gloss indefinitely with normal use, but some bathroom cleaning agents will cause harm. Failure to perform periodic maintenance on your whirlpool may cause health and/or safety problems as well as possibly harming the bathtub, pump or piping thus voiding all warranties.

CLEANING

Because of the detrimental effects that mineral deposits, soap scum and hard water stains have on finished surfaces, it is important to keep your bathtub and the fixtures of your Swirl-Way® whirlpool system clean on a regular basis.

1. Once a week, wash all exposed surfaces of the bathtub with a mild solution of vinegar and water. Check for stubborn spots. Oily or greasy spots can be lifted with denatured alcohol. Wipe off with clear, warm water and dry with soft cloth.

WARNING: Under no circumstances should wire brushes, metal sponges, knives, steel wool or scouring pads be used on any part of the bath, nor petroleum based solvents such as paint thinner, acetone or abrasive cleaners. All of the aforementioned products and the like will damage the finish of the bathtub.

2. Twice per month or more, depending on usage, purge and clean the entire whirlpool system following the directions below.
 - a. Turn the air controls to the lowest setting and fill the whirlpool with hot water.
 - b. Add Two (2) tablespoons of low sudsing automatic dishwasher detergent and ½ cup of household bleach to the water.
 - c. Run whirlpool for at least 15 minutes.
 - d. Drain, refill with cold water and operate for 10 minutes. Drain again and wipe the surface with a soft cloth.

SURFACE REPAIR

If an accident occurs and your whirlpool bath has a scratch or minor abrasion, it can be repaired by buffing. If the damage is superficial, use a polishing compound used for automobile finishes. If the damage is a little deeper, sanding the spot before applying the polish will normally take care of the problem. The depth of the scratch or abrasion will determine the sandpaper grade to use. A 600 grade paper is required for light to moderate damage and 400 to 220 grade will be needed for deeper damage. When sanding, begin with the lowest number grade of paper and work up to using the auto car polish. With a change of paper, you will need to sand a slightly larger area than the damaged area.

It is not recommended that you repair heavy damages or damage in the bottom of the bath yourself. We will be happy in assisting you in finding a qualified acrylic repair company.

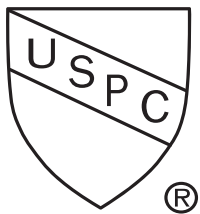
TROUBLESHOOTING

WARNING - DANGER: BEFORE EXAMINING ANY ELECTRICAL PART OR FITTINGS UNDER THE WHIRLPOOL BATH, SHUT OFF THE ELECTRICAL POWER AT THE CIRCUIT BREAKER AT THE MAIN POWER SUPPLY.

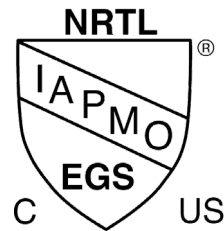
NOTE: The whirlpool pump housing is a sonically welded unit. It cannot be disassembled for servicing for servicing. There are no user serviceable parts inside. Refer all service to Mansfield bathware technical service at 877-850-3060.

PROBLEMS	SOLUTIONS
Whirlpool system is leaking.	<ul style="list-style-type: none"> • If the leak seems to originate at one or both pump connections (unions), call the dealer. Dealer needs to check the tightness of pump unions. • If occasional leaks seem to originate at the bath overflow, tighten down the overflow to the tub. • If the leak seems to originate at the pump seal, pipe-to-jet body connection, or the jet body-to tub, call the dealer.
The whirlpool will not start.	<ul style="list-style-type: none"> • Check for improper or loose electrical connections • Check to see if the control is in the ON position.
The whirlpool motor stops or makes a noise.	<ul style="list-style-type: none"> • Check for loose wiring or connection. • Check for low voltage at the motor. • Check for air leak in suction line causing a rumbling in pump. • Check for improper mounting or vibration causing pump to become loose from its mounting. • Ensure line from air switch to pump is connected at both ends and free from kinks.
Low flow, generally.	<ul style="list-style-type: none"> • Check for obstructions in the suction line. • Check for obstructions in the discharge line.

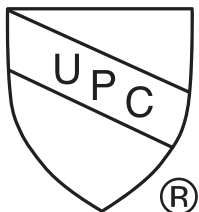
CODE COMPLIANCE



Accepted by the "Swimming Pool Research Committee" of the International Association of Plumbing and Mechanical Officials as meeting the requirements of the Uniform Swimming Pool Code. (For Whirlpool Piping). Listed SP-1179



EGS Listed (Complies with U.L. Standard 1795). Hydromassage Bathtub Listed E10044



Accepted by the "Plumbing Research Committee" of the International Association of Plumbing and Mechanical Officials as meeting the requirements of the Uniform Plumbing Code. (For Acrylic Bath Shells). Listed 2719

WARRANTY

Mansfield Plumbing Products, LLC offers the following expressed warranty to the original purchaser of any Pro-fit product who purchases the product for personal or single family residential use ("user"). We will repair or replace, at our sole option, the product or its equipment in accordance with the following terms and conditions.

TEN (10) YEAR WARRANTY FOR ACRYLIC SHELL

Mansfield Plumbing Products, LLC extends to the user of the product a non-transferable Ten (10) year warranty from the date of manufacture that the shell will maintain its structural integrity and be free of water loss due to a defect in the tub shell. This warranty covers only the product shell against defects in material or workmanship.

ONE (1) YEAR LABOR WARRANTY FOR ALL FACTORY INSTALLED COMPONENTS

Our limited labor warranty is for a period of One (1) Year from the date the product was originally purchased by the user, but not more than Two (2) years from the date of manufacture. All factory installed components (e.g., pump, motor, blower, jets and plumbing) are covered under our labor warranty against failure due to defects in materials and workmanship.

WARRANTY LIMITATIONS

In no event shall Mansfield Plumbing Products LLC be liable for incidental or consequential damages, for damages resulting from improper installation or for damages caused by handling, neglect, abuse or alteration. Our warranty does not cover defects or damage caused by the common carrier, installer, user or other persons resulting from, without limitation: careless handling, improper voltage supply/electrical modifications, misuse, incorrect operation, lack of or improper routine maintenance, incorrect or inadequate water use or use of improper cleaners. Chips, cracks and scratches are damages and are not covered under warranty; however, they may be repaired by a qualified technician at the user's expense. Damages or defects that should have been detected before installation are not covered. All implied warranties, including any warranty of fitness for any particular purpose of merchantability, or those that might arise from a course of dealing with the purchaser or usages of trade, are hereby disclaimed or excluded.

Mansfield Plumbing Products is not responsible or liable for any delays or any failure to perform due to unforeseen circumstances or causes beyond Mansfield Plumbing Products' control, when such delays or failure is due, directly or indirectly, to acts of God, war (including civil war), riots, embargoes, acts (whether sovereign or contractual) of civil or military authorities, acts of any government, major change in economic conditions, fires, floods, explosions, the elements, epidemics, quarantine, restrictions, strikes, lockouts, plant shutdowns, slowdowns, accidents, shortages of raw energy, materials, component parts, labor, or delays of suppliers or subcontractors.

Note: Some states do not allow limitations on an implied warranty, and some states do not allow exclusions or limitations regarding incidental or consequential damages, so the above limitations may not apply to you. This warranty gives you specific legal rights and you may have other rights which vary from state to state. No person is authorized to change, add to, or create any warranty or obligation other than set forth herein. This is our exclusive warranty.

RESPONSIBILITIES OF OTHERS

Inspecting the unit prior to installation is the responsibility of the installer or building contractor who acts on behalf of the user. They are responsible for ensuring the unit is free of defect or damage. Notices are placed on and in the unit and on the shipping carton advising the installer of this responsibility. In the event of a problem, the unit must not be installed. The Company is not responsible for failures or damage that could have been discovered, repaired, or avoided by proper inspection and testing (including proper water testing) prior to installation.

Damage occurring in transit is the responsibility of the carrier. The user or installer MUST open the crate and inspect the unit for damage when it is delivered. If damage is discovered, it must be reported immediately to the seller and the carrier in writing, and an inspection requested. Failure of the carrier to respond should be reported to the seller and the carrier. Your freight claims should be filed promptly thereafter.

It is the responsibility of the installer, building contractor, or user to provide access for service. Mansfield Plumbing Products, LLC is not responsible for any costs relating to obtaining access for repair.

WARRANTY SERVICE

Mansfield Plumbing Products, LLC maintains a list of independent service personnel to perform required warranty service repairs. Such firms are not agents or representatives of Mansfield Plumbing Products, LLC and cannot bind us by words or conduct. We will provide warranty service when Mansfield Plumbing Products, LLC has been notified of the problem during the active warranty period and deemed the problem to be of the nature or type covered by the warranty.

The product serial number, users address and contact information must be provided to obtain warranty service.

SERIAL NUMBER



MADE IN USA

PRO-FIT[®] BUILDER SERIES

ACRYLIC BATHWARE

LIFE'S TOO SHORT for anything less than honest answers and practical solutions. So at Mansfield, we focus on making great products (right here in the U.S.A.) and making it easy to get them quickly. Simply put, we go about our business, so you can go about yours. Take a look around. Check out our tubs, toilets and bathroom collections. And let us know how we can help.

