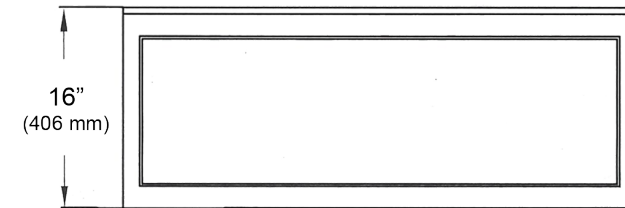
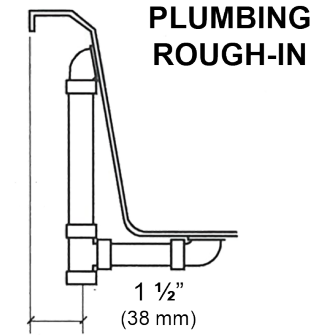
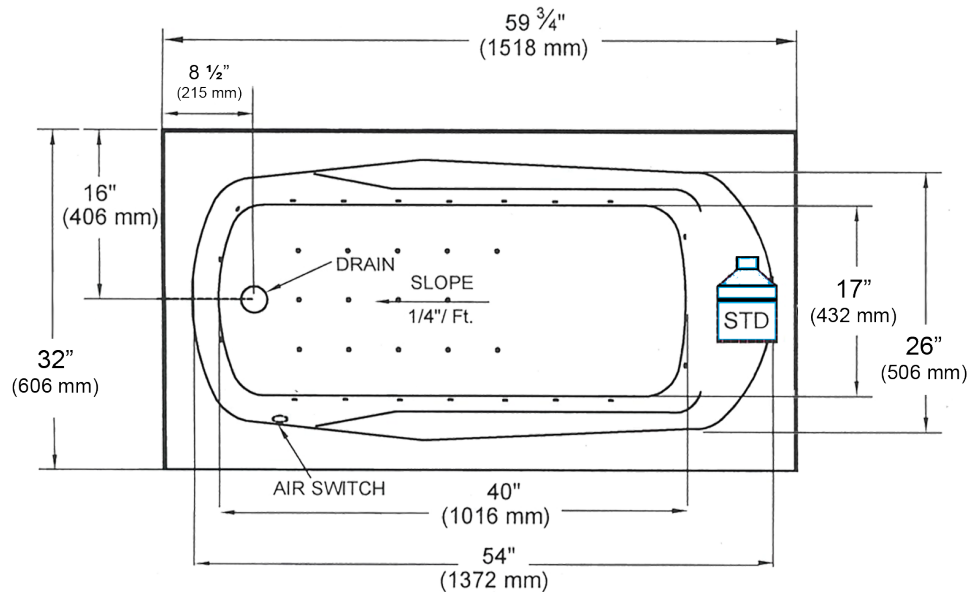


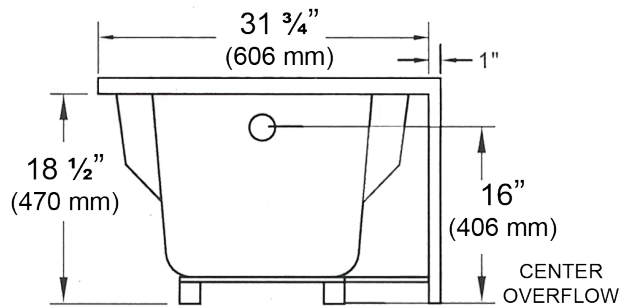
# PRO-FIT® AIR MASSAGE BATH

3260 TFS 59 3/4" x 32" x 21"

Model number: 64153 LH, 64154 RH



Optional Removable Access Panel  
OPENING DIMENSIONS 54" x 11"



## NOTES:

1. Blower location (Standard only).
2. Required blower motor access is 20" W x 15" H.
3. Measurements may vary 1/4" (+/-).
4. Apron is integral with optional removable access panel.
5. Removable access panel provides access to blower/motor.
6. Specify LH or RH drain when ordering.

## SPECIFICATIONS:

<b>Dimensions:</b>	59 3/4" x 32" x 21"	<b>Number of air jets:</b>	28
<b>Material:</b>	Acrylic, fiberglass reinforced	<b>Weight:</b>	90 lbs. (41 kg)
<b>Blower Motor:</b>	120 V, 60 HZ, 8.0 Amp, Single Speed, 200 Watt Single Phase - Premounted	<b>Water Capacity:</b>	42 gals max., 27 gals min. 160 liters/103 liters)
<b>Electrical Requirements:</b>	120 V, 15 Amp, GFCI Protected	<b>Floor Loading:</b>	47 lbs./sq.ft. (229 kg/m <sup>2</sup> )
<b>On/Off Control:</b>	Air Switch	<b>Shipping Weight:</b>	134 lbs. (70 kg)