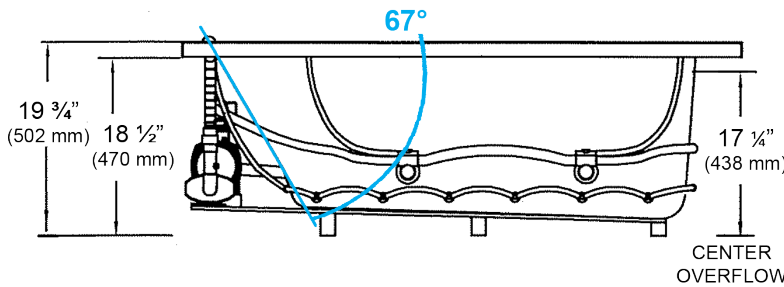
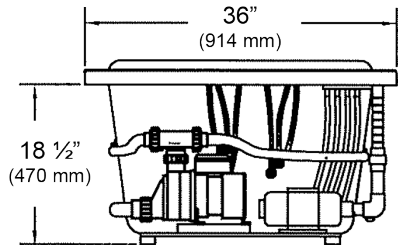
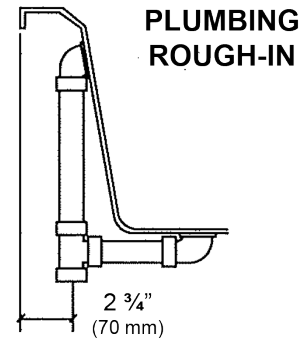
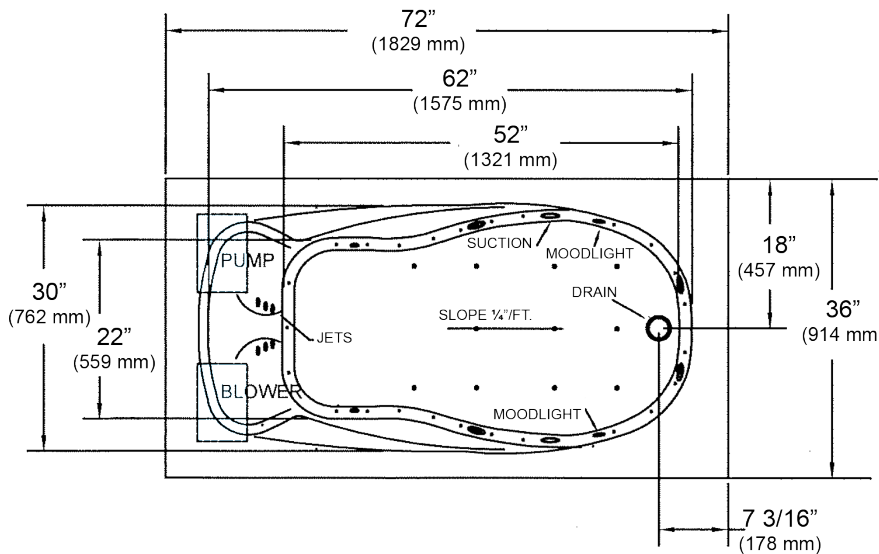


5404

MANSFIELD®

Baywood 6.0™ 72" x 36" x 19 3/4"

Swirl-way® Combination Whirlpool and Air Massage Bath



NOTES:

1. Pump and Blower locations shown for clarity.
2. Required blower motor access is 20" W x 15" H.
3. Measurements may vary 1/4" (+/-)
4. If a factory installed nailing flange is added to a unit, add 1/8" to each side flanged.
5. Removable apron is optional for this unit.
6. These dimensions are nominal and subject to change without notice.

SPECIFICATIONS

| Specification | Description | Specification | Description |
|--------------------------------|--|-----------------------------|--|
| Material | Acrylic, fiberglass reinforced | Number of Jets | WP -12 Air - 32 |
| Construction | Self-contained, pre-plumbed air bath system mounted on a pre-leveled base | Water Capacity | 48 gal. (min) 64 gal. (max) |
| Pump/Blower Motor | Pump - 1.0 HP Single Speed - 120 V, 9.0 AMP Blower - 1.0 HP Variable Speed - 120 V, 9.0 AMP | Floor Loading Weight | 47 lbs. / sq. ft (229 kg/m ²) |
| Electrical Requirements | Three 120V, 20 AMP, GFCI Protected Circuits | Shipping Weight | 180 lbs. |
| On/Off Control | Eight button electronic control, 20 minute time cycle; Blower - Auto purge cycle | Warranty | Limited Ten Year |

