

ITEM NO. 3637702 / MODEL NO. 5385CTK

SUMMIT®**MANSFIELD®**

Elongated Front, SmartHeight™, 10" Rough-In, Vitreous China, Two-Piece Toilet, Complete Toilet Kit

FEATURES

- Complete toilet kit (CTK)
- 1.28 gpf / 4.8 lpf high efficiency water consumption
- MagnaFlush™ high performance flushing technology
- PuraClean® easy-to-clean glazed surface
- Elongated front, SmartHeight™ bowl
- 3' Rigid Flapper flush valve – requires less force to flush, is more consistent and uses a simple universal repair part/seal
- Fluidmaster® pilot operated anti-siphon fill valve
- 10" rough-in
- SmartFasten™ 3-bolt tank-to-bowl connection
- Model 57 chrome-plated, metal trip lever
- 2' glazed trapway
- The Mansfield® limited lifetime warranty on china, Five-year limited warranty on tank trim
- Available in White

**MODEL 5385CTK**

Toilet seat included

Complete Toilet Kit



CTK

ELONGATED

SMARTHEIGHT ADA

COMPONENTS

MODEL #	DESCRIPTION	CODES/STANDARDS
5385CTK	Elongated front, SmartHeight™ complete two-piece toilet kit. Includes: slow close toilet seat, tank and bowl, floor bolts, wax ring, caps and multi-lingual installation instructions. Water supply not included.	
385	Elongated front, SmartHeight™ toilet bowl only.	
387	Tank and lid only. With left hand, front-mount, chrome-plated metal trip lever.	
3800	Elongated, slow close toilet seat	
TANK TRIM & REPLACEMENT PARTS		
57	Trip Lever - chrome-plated metal trip lever, left hand	
400A	Fluidmaster® anti-siphon pilot fill valve	
2206	Anti-siphon pilot fill valve (compatible replacement)	
2036-1212	Summit® 1.28 Rigid Flapper flush valve	
630-0030	Replacement flush valve seal	
386-LID	Tank lid	

When properly installed, this product meets the requirements for the Americans with Disabilities Act of 1990 (ADA). Refer to local plumbing codes, as they may vary by location and application.



ITEM NO. 3637702 / MODEL NO. 5385CTK

SUMMIT[®]

MANSFIELD[®]



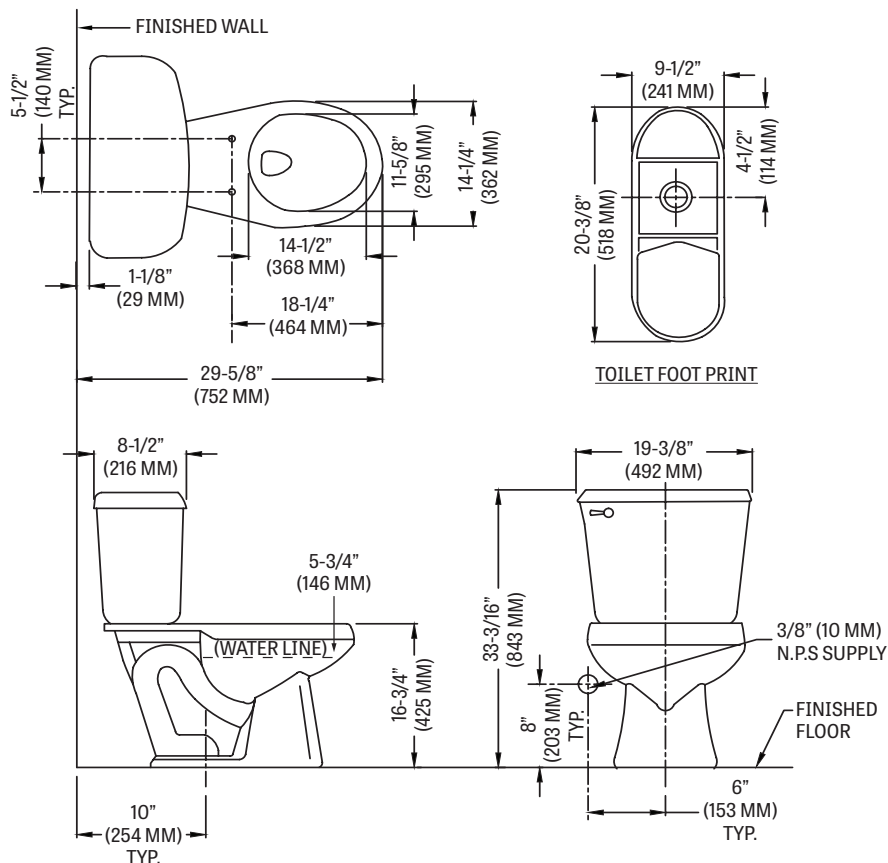
Elongated Front, SmartHeight™, 10" Rough-In, Vitreous China, Two-Piece Toilet, Complete Toilet Kit

SPECIFICATIONS

MODEL #	DESCRIPTION	CODES/STANDARDS								
5385CTK	Elongated front, SmartHeight™ (1.28 gpf/4.8 lpf) two-piece toilet kit									
MATERIAL	Vitreous China	<table border="1"> <tr> <td>TRAP DIAMETER</td> <td>2"</td> </tr> <tr> <td>TRAP SEAL</td> <td>2-3/8"</td> </tr> <tr> <td>SHIPPING WEIGHT</td> <td>Model 5385CTK - 95 lbs. (43 kg)</td> </tr> <tr> <td>WARRANTY</td> <td>Vitreous China - Limited Lifetime Tank Trim - Limited Five-Year</td> </tr> </table>	TRAP DIAMETER	2"	TRAP SEAL	2-3/8"	SHIPPING WEIGHT	Model 5385CTK - 95 lbs. (43 kg)	WARRANTY	Vitreous China - Limited Lifetime Tank Trim - Limited Five-Year
TRAP DIAMETER	2"									
TRAP SEAL	2-3/8"									
SHIPPING WEIGHT	Model 5385CTK - 95 lbs. (43 kg)									
WARRANTY	Vitreous China - Limited Lifetime Tank Trim - Limited Five-Year									
WATER PRESSURE RANGE	20 to 80 PSI									
FLUSH SYSTEM	3' MagnaFlush™ Flushing Technology									
WATER USAGE	1.28 gpf / 4.8 lpf									
WATER SURFACE AREA	9' X 10'									
ROUGH-IN	10"									
MAP RATING	1,000 grams									

TECHNICAL INFORMATION

Note: these dimensions are nominal and subject to change without notice.



Fixture performance and specifications meet or exceed ASME A112.19.2/CSA B45.1 standards, and other state and local codes.

