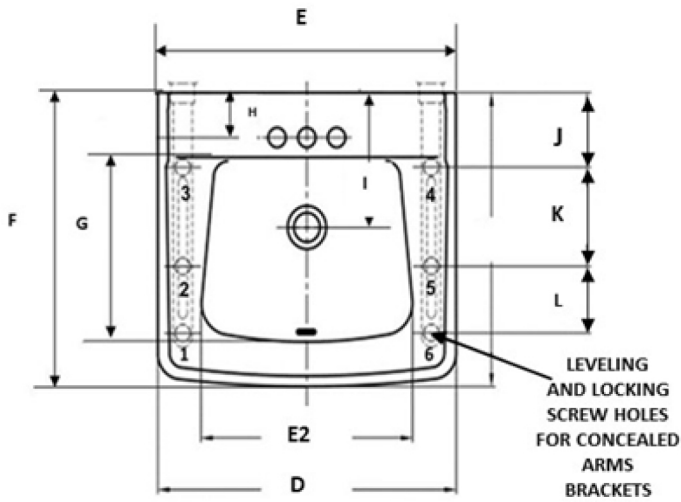
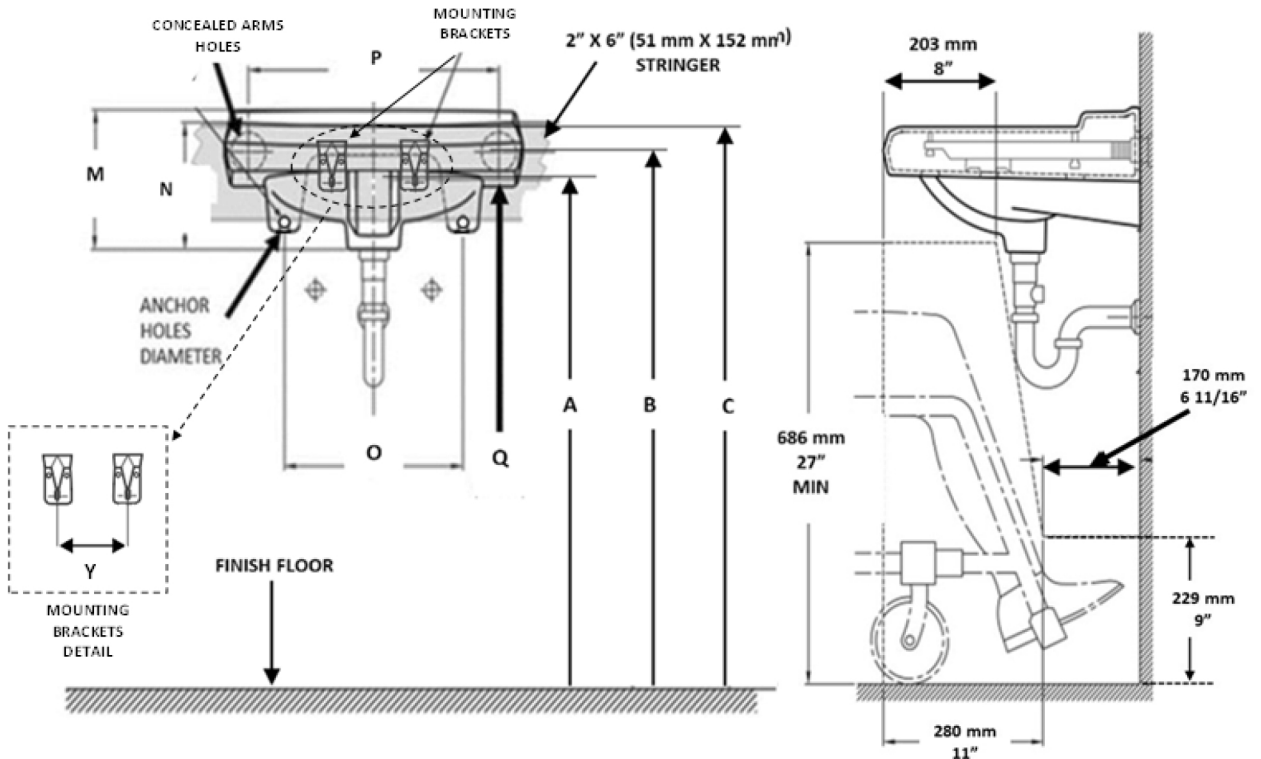


ROUGH-IN INSTALLATION

Applies to Mansfield Model 1918 Willow Run



CODE	mm	Inches	COMMENTS
A	765,0	30 1/8	TO CENTER OF SLOTS IN BRACKETS
B	830,0	32 11/16	TO CENTERLINE OF CARRIER ARMS
C	863,6	34	TO TOP FRONT CENTER OF LAVATORY
D	505,0	19 7/8	
E	521,0	20 1/2	
E2	357,0	14 1/16	
F	448,0	17 5/8	
G	269,0	10 19/32	
H	62,0	2 7/16	
I	197,0	7 3/4	
J	124,0	4 7/8	
K	138,5	5 7/16	
L	104,0	4 3/32	
M	230,0	9 1/16	
N	200,0	7 7/8	MEASURED AT FRONT CENTER OF LAVATORY
O	330,0	13	
P	430,0	16 15/16	
Q	58,5	2 5/16	CONCEALED ARM HOLES DIAMETER
Y	130,0	5 1/8	DISTANCE BETWEEN THE SLOTS OF HANGERS
1-6	26,0	1 1/32	LEVELING HOLES DIAMETER



Mansfield Plumbing Products, LLC

www.mansfieldplumbing.com
 1430 George Road | Ashland, OH 44805, +1-877-850-3060
 custsrvs@mansfieldplumbing.com

© 2024 Mansfield Plumbing Products, LLC
 REV 5/2024



WALL HUNG LAVATORY INSTRUCTIONS

Applies to Mansfield model 1918 Willow Run

Note: For installation of concealed or exposed arms, follow instruction provided by the manufacturer.

**CAUTION: PRODUCT IS FRAGILE, IN ORDER TO AVOID BREAKAGE AND POSSIBLE INJURIES HANDLE WITH CARE
OBSERVE LOCAL PLUMBING AND BUILDING CODES**

PREP:

1. Wall and floor should be square, plumb and level for optimum installation.
2. Secure a 2" x 6" brace board directly to the stud framing at a preferred mounting height. The board should be attached to at least three (3) studs and project completely across the wall surface, where the lavatory will be installed. For secure installation, it is recommended the hanger to be fastened to a solid wall stud.
3. CAUTION: it is always best to have help when installing, as some of these units are awkward and heavy to handle.

INSTALLATION:

1. Position the 2 steel hangers (included) in place according to the rough-in dimensions and with a pencil, mark the oblong slots on the wall.
2. Drill a 5/32" pilot hole at the center of the traced oblong slots. With the hangers in place thread a Lag Bolt and washer into both pilot hole (hand tighten only)
3. Mount the lavatory onto the hangers for positioning, level the deck with the slotted hangers.
4. Mark the center of the anchor screw holes (at the bottom of the lavatory) and of the two top holes on each hanger.
5. After a good fit is obtained remove the lavatory and drill 5/32" pilot holes through the remaining holes of each hanger to secure connection of the steel hangers to the wall.
6. Install faucet and drain to the lavatory basin according to the manufacturer's instructions. Do not fully tighten slip joint drain connections at this time.
7. Apply two generous circular beads of silicone to the back wall of the lavatory which will help in securing the lavatory.
8. Return the fitted lavatory to the installed position. Connect the trap to drain assembly hand tight to check alignment and finish connecting the water supply according to the manufacturer's instructions.
9. Secure the lavatory on the hanger and insert and tighten anchor screws (1/4" screws recommended). CAUTION – DO NOT OVERTIGHTEN as damage to the basin may occur. Standard plumbing practice recommends use of both mounting brackets and anchoring screws.
10. Apply a bead of caulk around the edge which contacts the wall to provide a good finishing touch.

Mansfield Plumbing Products, LLC

www.mansfieldplumbing.com
1430 George Road | Ashland, OH 44805, +1-877-850-3060
custsrvs@mansfieldplumbing.com

© 2024 Mansfield Plumbing Products, LLC
REV 5/2024