

ITEM NO. 3803793 / MODEL NO. 5508550000

BARRETT™ 3666**MANSFIELD®**

66" x 36" x 24", Acrylic, Swirl-Way® Bathtub

FEATURES

- High gloss, easy-to-clean acrylic with fiberglass reinforcement
- Standard bathtub provides a simple and relaxing soak
- Clean geometric lines
- Includes two pillows
- Rectangular model with center drain
- Pre-leveled legs for easy installation
- Integrated dual armrests for bather's comfort
- Spacious bathing well designed for two-person comfort
- 10-year limited warranty on acrylic
- Installation: Drop-In, Alcove or Undermount
- Available in White


**MODEL 5508550000**

Bathtub



BATH

COMPONENTS

MODEL #	DESCRIPTION	CODES/STANDARDS
5508550000	66" x 36" x 24" Rectangular Swirl-Way® Bathtub. Drain not included.	
ACCESSORIES		
CAB-	Cable Overflow Drain (White — 1330, Chrome — 1335, Everbrass — 1336, Brushed Nickel — 1337, Oil Rubbed Bronze — 1338, Matte Black — 1339)	
TIP-	Tip Toe Overflow Drain (Chrome — 1335, Everbrass — 1336, Brushed Nickel — 1337, Oil Rubbed Bronze — 1338, Matte Black — 1339)	
SWAPOO	Nailing Flange Kit (includes 14" PVC nailing flange, tacky tape and installation instructions)	



ITEM NO. 3803793 / MODEL NO. 5508550000

BARRETT™ 3666

MANSFIELD®



66" x 36" x 24", Acrylic, Swirl-Way® Bathtub

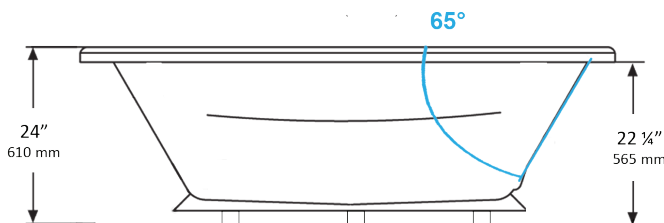
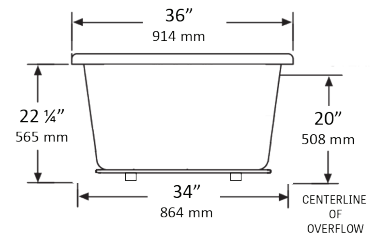
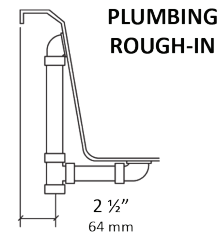
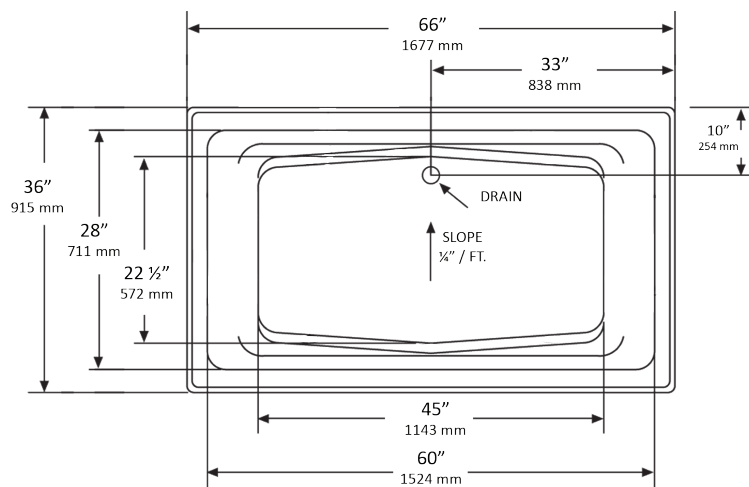
SPECIFICATIONS

MATERIAL	Acrylic, fiberglass reinforced
CONSTRUCTION	Self contained bathtub mounted on a pre-leveled base.
WATER CAPACITY	60 gal. (min.) / 70 gal. (max)

SOAKING DEPTH	18-1/2"
FLOOR LOADING WEIGHT	47 lbs. sq.ft.
SHIPPING WEIGHT	145 lbs. (66 kg)
WARRANTY	Acrylic - 10-Year

TECHNICAL INFORMATION

Note: these dimensions are nominal and subject to change without notice.



NOTES:

1. Measurements may vary 1/4" (+/-)
2. If a factory installed nailing flange is added to a unit, add 1/8" to each side flanged.
3. Removable apron is not available for this unit.
4. These dimensions are nominal and subject to change without notice.

