

# 146-123RH QUANTUM®



Round Front, Vitreous China, Two-Piece Toilet

## FEATURES

- High performance, pressure-assist Flushmate III™ system
- 1.6 gpf / 6.0 lpf low water consumption
- Round front bowl
- 12" rough-in
- Model 49RH chrome-plated, metal trip lever
- 2-1/8" glazed trapway
- The Mansfield® limited lifetime warranty on china, Flushmate ten-year limited warranty on vessel
- Available in White, Biscuit and Bone



**MODEL 146-123RH**

Toilet seat not included



ROUND

## COMPONENTS


MODEL #	DESCRIPTION	CODES/STANDARDS
146-123RH	Round front, pressure-assist, two-piece toilet. Less toilet seat and supply. Specify color.	
146	Round front toilet bowl only. Less toilet seat. Specify color.	
123RH	Pressure-assist tank and cover only with right hand chrome-plated, metal trip lever. Less supply. Specify color.	
<b>TANK OPTIONS</b>		
123	Pressure-assist tank and cover only with left hand chrome-plated, metal trip lever. Less supply. Specify color.	
122	Pressure-assist tank and cover only with chrome-plated metal push button actuator. Less supply. Specify color.	
<b>TANK TRIM &amp; REPLACEMENT PARTS</b>		
49RH	Trip lever - chrome-plated, metal trip lever, right hand	
125-LID	Tank lid	
FLUSHMATE® 503	Pressure-assist flushing system. Separate warranty applies. Contact FLUSHMATE® at 1-800-533-3460.	

# 146-123RH QUANTUM®



Round Front, Vitreous China, Two-Piece Toilet

## SPECIFICATIONS

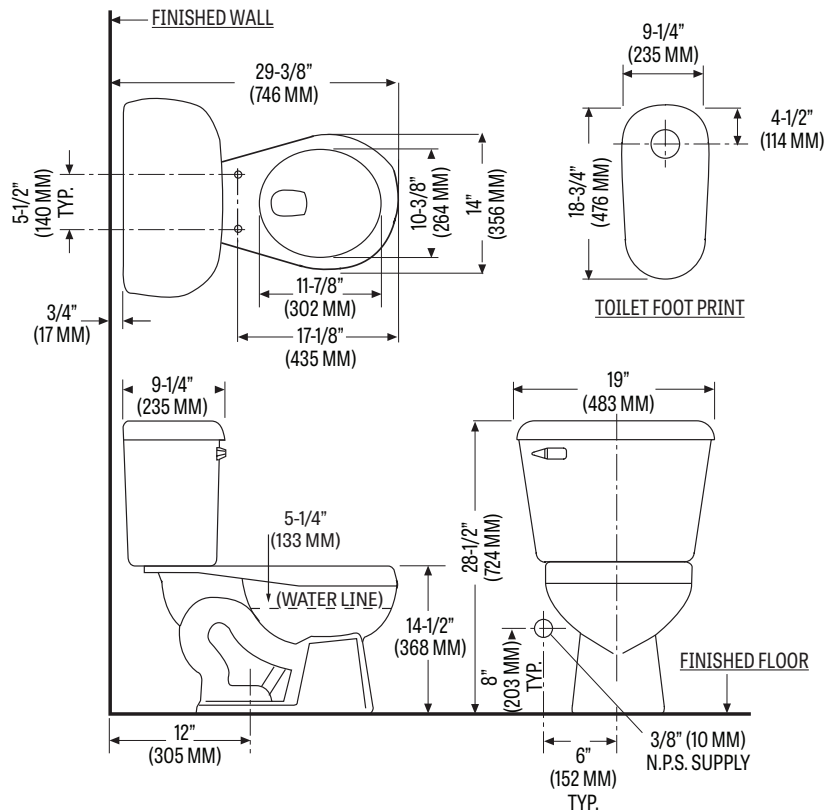
MODEL #	DESCRIPTION	CODES/STANDARDS
146-123RH	Round front (1.6 gpf / 6.0 lpf) two-piece toilet	

MATERIAL	Vitreous China
WATER PRESSURE RANGE	35 to 80 PSI
FLUSH SYSTEM	Flushmate III™ flushing technology
WATER USAGE	1.6 gpf / 6.0 lpf
WATER SURFACE AREA	9-3/4" X 11-1/2"
ROUGH-IN	12"
MaP RATING	800 grams

TRAP DIAMETER	2-1/8"
TRAP SEAL	2-3/4"
SHIPPING WEIGHT	Model 146 - 51 lbs. (23.1 kg) Model 123RH - 41 lbs. (18.6 kg)
WARRANTY	Vitreous China - Limited Lifetime Vessel - Limited Ten Year (Flushmate)

## TECHNICAL INFORMATION

**Note:** these dimensions are nominal and subject to change without notice.



Fixture performance and specifications meet or exceed ASME A112.19.2-2013/CSA B45.1-13 standards, and other state and local codes.