

139NS-3174 ALTO® 1.28



Elongated Front, SmartHeight™ Vitreous China, Two-Piece Toilet

FEATURES

- 3-bolt SmartFasten™ tank-to-bowl connection
- 1.28 gpf / 4.8 lpf high efficiency water consumption
- Uses 20% less water than conventional toilets
- Elongated front, SmartHeight™ bowl
- 3-2" hybrid flapper flush valve
- Fluidmaster® anti-siphon pilot fill valve
- Lined tank for reduced condensation
- 10" rough-in
- Model 31 color-match, plastic trip lever
- 2" glazed trapway
- The Mansfield® Limited Lifetime Warranty
- Available in White



MODEL 139NS-3174

Toilet seat not included



ELONGATED



SMARTHEIGHT ADA

COMPONENTS




MODEL #	DESCRIPTION	CODES/STANDARDS
139NS-3174	Elongated front, SmartHeight™ two-piece toilet	HIGH EFFICIENCY TOILET UPC ADA COMPLIANT
139NS	Elongated front, SmartHeight™ toilet bowl only. Less toilet seat. Specify color.	
3174	Tank and cover only with left hand, front-mount, color-match, plastic trip lever. Fluidmaster® anti-siphon pilot fill valve and tank liner. Less supply.	
TANK TRIM & REPLACEMENT PARTS		
31	Trip lever - color-match, plastic trip lever, left hand	
228	3-2" Hybrid flapper flush valve	
400A	Fluidmaster® anti-siphon pilot fill valve	
2206	Anti-siphon pilot fill valve (compatible replacement)	
630-0207	3" Replacement flapper kit	
160-LID	Tank lid	

139NS-3174 ALTO® 1.28



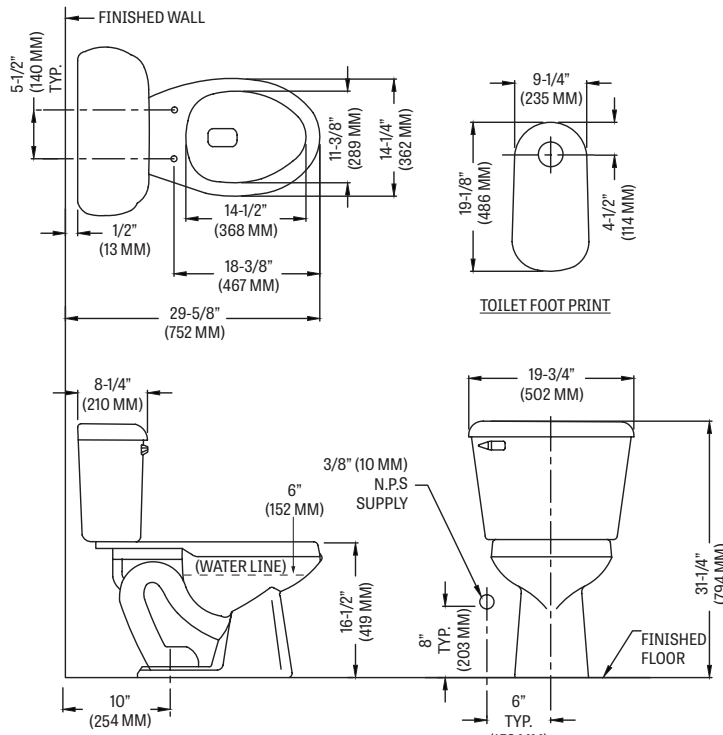
Elongated Front, SmartHeight™ Vitreous China, Two-Piece Toilet

SPECIFICATIONS

MODEL #	DESCRIPTION	CODES/STANDARDS
139NS-3174	Elongated front, SmartHeight™ (1.28 gpf / 4.8 lpf) two-piece toilet	  

MATERIAL	Vitreous China
WATER PRESSURE RANGE	20 to 80 PSI
FLUSH SYSTEM	3-2" Hybrid flapper flush valve
WATER USAGE	1.28 gpf / 4.8 lpf
WATER SURFACE AREA	9" X 10"
ROUGH-IN	10"
MaP RATING	800 grams

TRAP DIAMETER	2"
TRAP SEAL	2-3/8"
SHIPPING WEIGHT	Model 139NS - 56 lbs. (24 kg) Model 3174 - 34 lbs. (15 kg)
WARRANTY	Vitreous China - Limited Lifetime Tank Trim - Limited One Year

TANK OPTIONS	TECHNICAL INFORMATION
<p>3173 Standard 1.28 gpf configuration: 3-2" hybrid flapper flush valve, Fluidmaster® anti-siphon pilot fill valve, left hand, color-match trip lever.</p> <p>3173RH Variation of model 3173, with right hand, color-match trip lever.</p> <p>3165 Variation of model 3173, with cover lock.</p> <p>3174 Variation of model 3173, with tank liner.</p> <p>3120 Variation of model 3173, with left hand, chrome trip lever.</p>	<p>Note: these dimensions are nominal and subject to change without notice.</p>  <p>The technical drawing includes the following dimensions:</p> <ul style="list-style-type: none"> FINISHED WALL to the center of the bowl: 29-5/8" (752 MM) TOILET FOOT PRINT dimensions: 19-1/8" (486 MM) by 14-1/4" (362 MM) Tank dimensions: 19-3/4" (502 MM) wide, 31-1/4" (794 MM) high Water Line height: 16-1/2" (419 MM) Supply height: 6" (152 MM) Trap height: 8" (203 MM) Other dimensions: 5-1/2" (140 MM) TYP. (bowl depth), 11-3/8" (289 MM) (bowl width), 14-1/4" (362 MM) (bowl length), 9-1/4" (235 MM) (tank width), 4-1/2" (114 MM) (tank depth), 18-3/8" (467 MM) (bowl to tank), 14-1/2" (368 MM) (bowl to trap), 10" (254 MM) (rough-in), 8-1/4" (210 MM) (tank to wall), 3/8" (10 MM) N.P.S. SUPPLY, 6" (152 MM) (water line to trap), 10" (254 MM) (rough-in to trap), 6" (152 MM) (trap to tank), 8" (203 MM) TYP. (trap to floor), 6" (152 MM) TYP. (trap to wall).

Fixture performance and specifications meet or exceed ASME A112.19.2/CSA B45.1 standards, and other state and local codes.