

217 MAPLE





Vitreous China, Under Counter Lavatory

FEATURES

- 19-3/4" x 16" oval, under counter lavatory
- Basin: 17-5/16" x 14-1/8"
- Complies with ADA requirements for accessibility
- Concealed front overflow
- Mansfield® limited lifetime warranty
- Available in White and Biscuit



COMPONENTS



MODEL #	DESCRIPTION	CODES/STANDARDS
217	Oval, under counter lavatory. Less mounting clips, drain assembly and supply. Specify color.	 

217 MAPLE



Vitreous China, Under Counter Lavatory

SPECIFICATIONS

MODEL #	DESCRIPTION	CODES/STANDARDS
217	Oval, under counter lavatory (19-3/4" x 16")	 

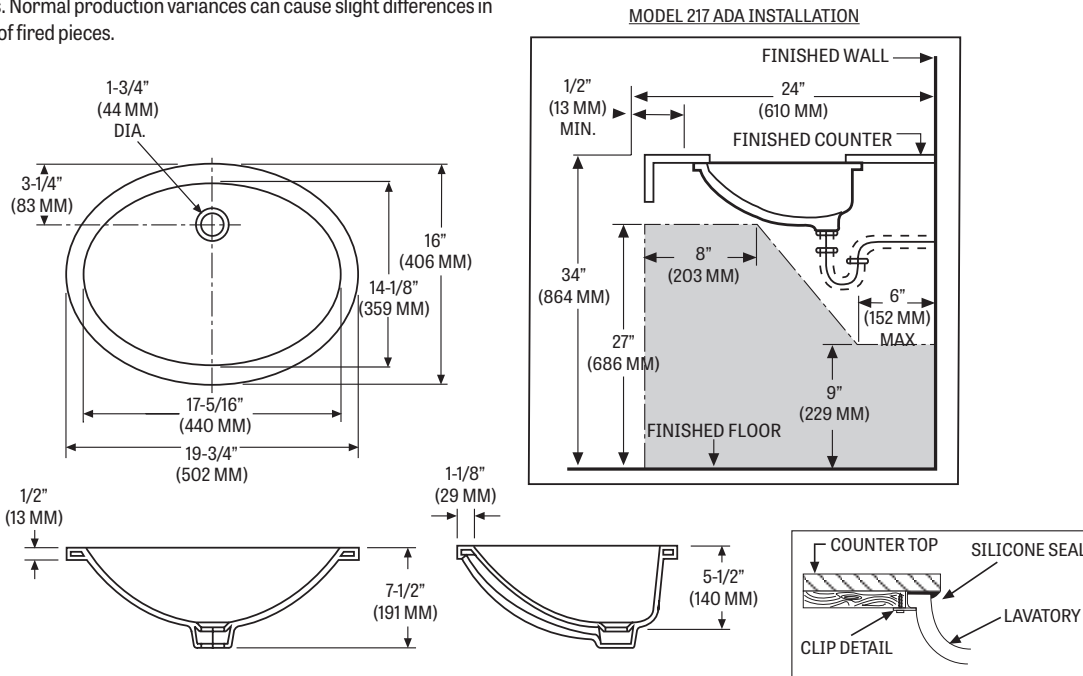
MATERIAL	Vitreous China
WARRANTY	Vitreous China - Limited Lifetime

SHIPPING WEIGHT	18 lbs. (8 kg)
-----------------	----------------

TECHNICAL INFORMATION

Note: these dimensions are nominal and subject to change without notice.

Note: The measurements provided herein are of the fired piece and are intended for general reference only. They should not be used to make cuts in countertops for installation. Installers should always use the template that is included with each piece as well as measure the piece(s) received prior to making any cuts. Normal production variances can cause slight differences in the dimensions of fired pieces.



Fixture performance and specifications meet or exceed ASME A112.19.2-2013/CSA B45.1-13 standards, and other state and local codes.