

5343

# AVA™ DROP-IN 3260




## Swirl-Way® Air Massage Bath

The air massage bath uses a blower to create huge, soothing bubbles all throughout your bathtub. The bubbles are created when heated air is forced through the air injectors and into your water. Let the bubbles caress your body as they rise to the top.

### FEATURES

- 60' x 32' x 25-1/4'
- Installation: Drop-In
- High gloss, easy-to-clean acrylic with fiberglass reinforcement
- Oval model with end drain
- Pre-leveled legs for easy installation
- Ergonomic bathing well for ultimate relaxation
- Spacious area to mount the faucet on the deck
- Ten-year warranty for acrylic shell; five-year labor warranty for all factory installed components
- Available in White, Biscuit, Bone, Black, British Khaki and Ice Gray



<b>MODEL NUMBER</b>	
Air Massage Bath - 5343	

### FEATURES & OPTIONS



MODEL NUMBER	FEATURES, OPTIONS & COMPONENTS	SWIRL-WAY® AIR MASSAGE BATH
--	Multi-function Electronic Keypad	Included
--	Invisible air injectors with check valves	Included
VSC100	Variable Speed Blower	Included
SWA500	Chromatherapy Mood Light System	Included
--	Automatic Purge and Dry Cycle	Included
LDK-	Linear Overflow Drain Chrome - 1335 Everbrass - 1336 Brushed Nickel - 1337 Oil Rubbed Bronze - 1338	Included Finish must be specified on order
PREM-	Premium Acrylic Colors BLK - Black BKHK - British Khaki IGRY - Ice Gray *Trim Upgrade (No charge) must be selected with any Premium Acrylic Color.	Optional
SWA100	Pillow (One)	Included

# 5343 AVA™ DROP-IN 3260



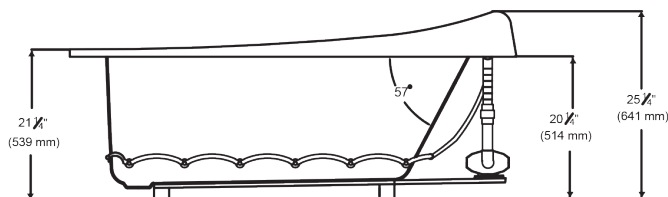
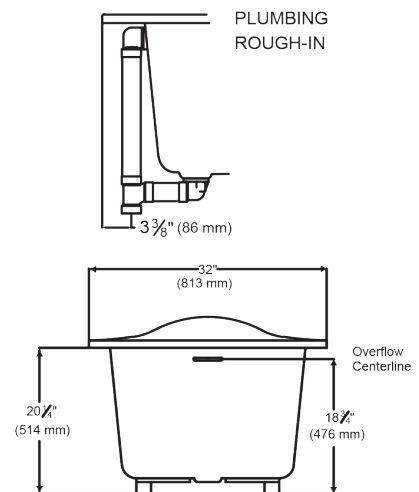
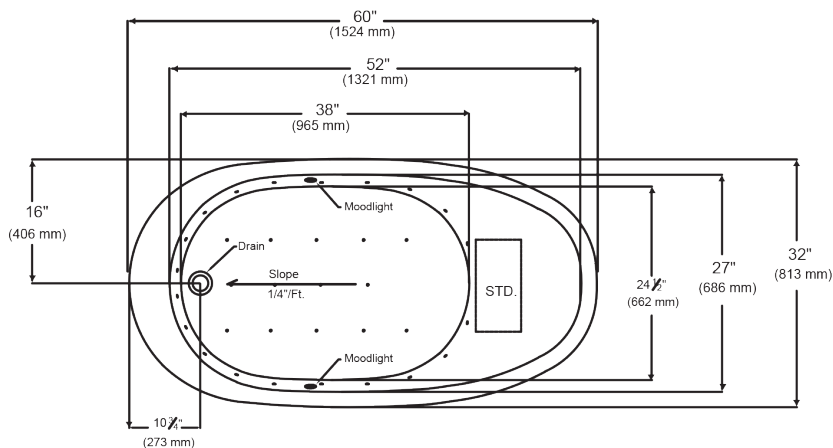
Swirl-Way® Air Massage Bath

## SPECIFICATIONS

MODEL #	DESCRIPTION	CODES/STANDARDS
5343	60" x 32" x 25-1/4" Air Massage Bath	 

<b>MATERIAL</b>	Acrylic, Fiberglass reinforced	<b>WARRANTY</b>	Limited Ten Year
<b>CONSTRUCTION</b>	Self-contained, pre-plumbed air massage bath system mounted on a pre-leveled base.	<b>SHIPPING WEIGHT</b>	150 lbs.
<b>NUMBER OF JETS</b>	32 air jets	<b>WATER CAPACITY</b>	40 gal. (min), 52 gal. (max)
<b>FLOOR LOADING WEIGHT</b>	47 lbs. / sq. ft.	<b>DIMENSIONS</b>	60" x 32" x 25-1/4"
<b>PRODUCT DETAILS</b>			
<b>BLOWER MOTOR</b>	Variable Speed - 1.0 HP, 120 V, 9 AMP	<b>OPERATION:</b>	20 minute time cycle
<b>ON/OFF CONTROL</b>	Multi-function electronic keypad	<b>PURGE AND DRY CYCLE:</b>	Automatic, 20 minutes after operation, the blower will reactivate to begin drying process.
<b>ELECTRICAL REQUIREMENTS</b>	One 120V, 20 AMP GFCI dedicated circuit		

## TECHNICAL INFORMATION



### NOTES:

- 1) Blower location shown for clarity.  
STD. - Standard location only..
- 2) Required blower motor access is 20" W x 15" High
- 3) Measurements may vary 1/4" (+/-)
- 4) Nail Flange not available for this unit.
- 5) Removable apron is not available for this unit.
- 6) These dimensions are nominal and subject to change without notice.