

## FEATURES & SPECIFICATIONS

**INTENDED USE** — Typical applications include corridors, lobbies, conference rooms and private offices.  
**CONSTRUCTION** — Retrofit, remodel, and new construction mounting types. See table for compatible ceiling openings and thickness range.

Optional goof rings available for additional overlap trim coverage.

1/2"-1-1/2" ceiling thickness

25° ambient temperature

IC rated up to 1000lm

**OPTICS** — 55° cutoff

New construction frame accessories approved for 8 (4 in/4 out) No. 12 AWG conductors rated for 90°C through wiring.

1.0 S/MH standard (wallwash reflector available)

80CRI standard (90CRI optional)

**ELECTRICAL** — Adjustable lumen output with three module options. Fixed lumen options also available.

MVOLT 120/277V 50/60Hz driver (0-10V & 120V Phase Dimming to 10% min dimming level)

100LPW typical

FCC CFR Title 47 Part 15 Class A for 277V. FCC CFR Title 47 Part 15 Class B for 120V.

L80 at 60,000 hours

3 SDCM

**LISTINGS** — Certified to US and Canadian safety standards. Damp location standard (Wet location, covered ceiling optional). Some configurations are ENERGY STAR® certified, please visit [www.energystar.gov](http://www.energystar.gov) for specific products. TAA compliant. UFC (3-530-01) specification compliant for power factor and THD. GSAP1006.2.4 compliant for power quality at full output; compliant up to 2000lm at fully dimmed output. Title 24 compliant (90CRI, up to 1000lm).

**WARRANTY** — 5-year limited warranty. Complete warranty terms located at:

[www.acuitybrands.com/support/warranty/terms-and-conditions](http://www.acuitybrands.com/support/warranty/terms-and-conditions)

**Note:** Actual performance may differ as a result of end-user environment and application.

All values are design or typical values, measured under laboratory conditions at 25 °C.

Specifications subject to change without notice.



A+ Capable options indicated by this color background.

### Module ordering

#### ORDERING INFORMATION

Lead times will vary depending on options selected. Consult with your sales representative.

**Example:** LBR6 ALO2 SWW1 AR LSS MWD MVOLT UGZ 90CRI

Series	Lumens <sup>‡</sup>	Color temperature <sup>‡</sup>	Reflector Color	Reflector Flange	Reflector Finish
LBR6 6" Retrofit	Adjustable Lumen Output	Switchable CCT	AR Clear	(blank)	LSS Semi-specular
LBR6WW 6" Retrofit Wallwash	ALO1 500/750/1000lm	SWW1 3000K-3500K-4000K-5000K	WR <sup>‡</sup> White painted	TRW <sup>‡</sup> White painted flange	
	ALO2 1000/1500/2000lm	Fixed CCT	BR <sup>‡</sup> Black painted	TRBL <sup>‡</sup> Black painted flange	
	ALO3 2000/2500/3000lm	30K 3000K			
	Fixed Lumen Output	35K 3500K			
	05LM 500lm	40K 4000K			
	07LM 750lm	50K 5000K			
	10LM 1000lm				
	15LM 1500lm				
	20LM 2000lm				
	25LM 2500lm				
	30LM 3000lm				

Distribution	Voltage	Driver	Options
MWD Medium wide (1.0 s/mh)	MVOLT 120V - 277V	UGZ Universal dimming to 10% 0-10V; line voltage dimming (120V)	90CRI High CRI (90+)
WW <sup>‡</sup> Wallwash	347V	DALI <sup>‡</sup> DALI dimming to 1%	AT <sup>‡</sup> Airtight
		D10 Minimum dimming 10% driver for use with JOT	E10WCPR <sup>‡</sup> Batterypack (10W constant power) T20 Compliant remote test switch
		D1 Minimum dimming 1% driver for use with JOT	ELR <sup>‡</sup> Batterypack (10W constant power) Non-T20 Compliant remote test switch
			EC1 <sup>‡</sup> Extended Conduit (18")
			EC6 <sup>‡</sup> Extended Conduit (6ft)
			WL <sup>‡</sup> Wet Location (IP55)
			QDS <sup>‡</sup> Quick disconnect plugs
			CP <sup>‡</sup> Chicago Plenum
			JOT <sup>‡</sup> Wireless room control with "Just One Touch" pairing

nLight Options <sup>‡</sup>	
NPP16D	nLight® network power/relay pack with 0-10V dimming
NPP16DER	nLight® network power/relay pack with 0-10V dimming; ER controls fixtures on emergency circuit.
NLTAIR2	nLight® Air enabled
NLTAIRER2	nLight® AIR Dimming Pack Wireless Controls. Controls fixtures on emergency circuit
NLTAIREM2	nLight® AIR Dimming Pack Wireless Controls. UL924 Emergency Operation, via power interrupt detection.

Catalog Number
Notes
Type

# LBR6

6" OPEN



Retrofit | Remodel



New Construction



**New Construction Frames:** Order as separate catalog number. Shipped separately.

LBR6PFW	6" New construction frame with JBOX, 18" conduit
LBR6PFWQDS	6" New construction frame with JBOX, 18" conduit, quick disconnects
LBR6PFWCP	6" Chicago Plenum New construction frame with JBOX, 18" conduit

**NOTE:** ‡ indicates option value has ordering restrictions. Please reference the Option Value Ordering Restrictions chart on the next page.

## ‡ Option Value Ordering Restrictions

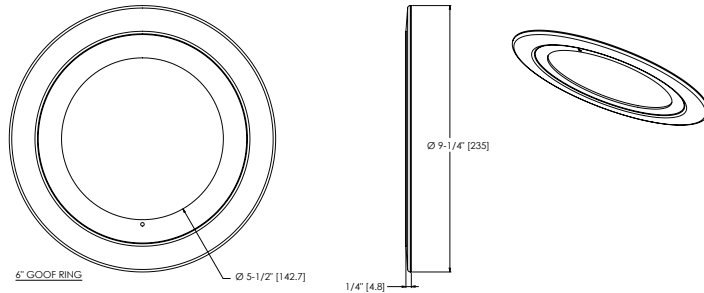
Options	Restriction
Lumens	Fixed CCT and lumens must be specified together (for example: 10LM 30K).
WR, BR	Not available with reflector finish.
TRW	For use with Clear (AR) reflector finish only. Not applicable with WR (white reflector).
TRBL	For use with Clear (AR) reflector finish only. Not applicable with BR (black reflector).
WW	Only available with WW Series (for example LBR4WW).
DALI	Not available with Fixed CCT and lumens.
D10, D1	Only available with JOT
AT	Standard for CP and IP55, not available with WW.
ELR, E10WCPR	Not available QDS, CP, 347V, NPP16D ER, NLTAIRER2, or NLTAIREM2.
EC1, EC6	Not Available with CP, QDS, ELR, or E10WCPR.
WL	IP55 rated; Not available with WW, All CP is wet locations, excluding WW (Damp listed)
QDS	Not available CP, ELR, E10WCPR, or 347V.
JOT	Not available with CP, NPP16D, NPP16D ER, NLTAIR2, NLTAIRER2, NLTAIREM2, UGZ, or DALI drivers. 4-1/2" minimum plenum depth required. Not recommended for use in metal ceilings.
NPP16D	Not available with CP, QDS, DALI, D1, OR D10 drivers. 120V OR 277V only. 5-1/2" minimum plenum depth required.
NPP16DER	Not available with CP, QDS, ELR, E10WCPR, DALI, D1, OR D10 drivers. 120V OR 277V only. Not available with 347V. Will require an emergency hot feed and normal hot feed. 5-1/2" minimum plenum depth required.
NLTAIR2	Not available with CP, QDS, DALI, D1, OR D10 drivers. Not recommended for metal ceiling installations. 5-1/2" minimum plenum depth required.
NLTAIRER2	Not available with CP, QDS, ELR, E10WCPR, DALI, D1, OR D10 drivers. Not recommended for metal ceiling installations. 5-1/2" minimum plenum depth required.
NLTAIREM2	Not available with CP, QDS, ELR, E10WCPR, DALI, D1, OR D10 drivers. Not recommended for metal ceiling installations. 5-1/2" minimum plenum depth required.
CP	Not available with, QDS, EC1, EC6, ELR, E10WCPR, 347V, JOT, NPP16D, NPP16D ER, NLTAIR2, NLTAIRER2, NLTAIREM2, D1, OR D10 drivers. Not available with square trim.
T24	IC rated, 90CRI, 500-1000 lumens, & round trim only.
Goof Rings	Not Available with CP.

### Accessories: Order as separate catalog number. Shipped separately.

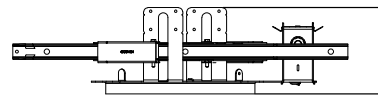
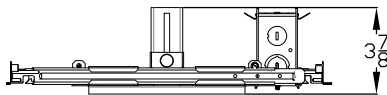
LBRGR78	Goof ring 7-3/4" to 8-3/4" for LBR6
LBR468 FPAN U	Mounting plate 4"-8" unit pack
LBR468 FPAN J10	Mounting plate 4"-8" 10-pack
NPP16 D EFP <sup>12</sup>	Field installed nLight Power Pack
SCA6	Sloped ceiling adapter. Degree of slope must be specified (5D, 10D, 15D, 20D, 25D, 30D). Ex: SCA6 10D.

Goof rings must specify finish

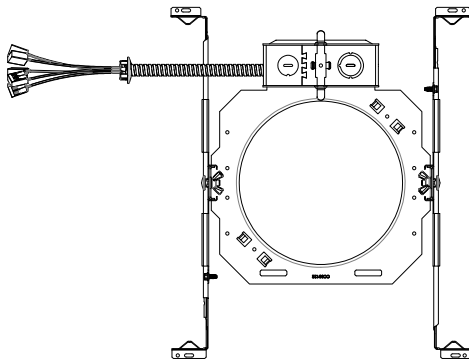
Examples: LBRGR56 WR, LBRGR78 BR, LBRGR910 AR  
WR = white, BR = black, AR = Clear



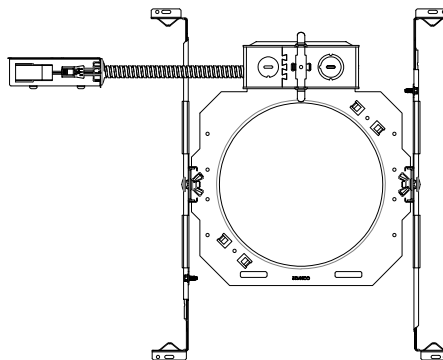
\* All dimensions are inches (millimeters) unless otherwise noted.



Aperture Size	Ceiling Cutout
6 in	7-1/8"



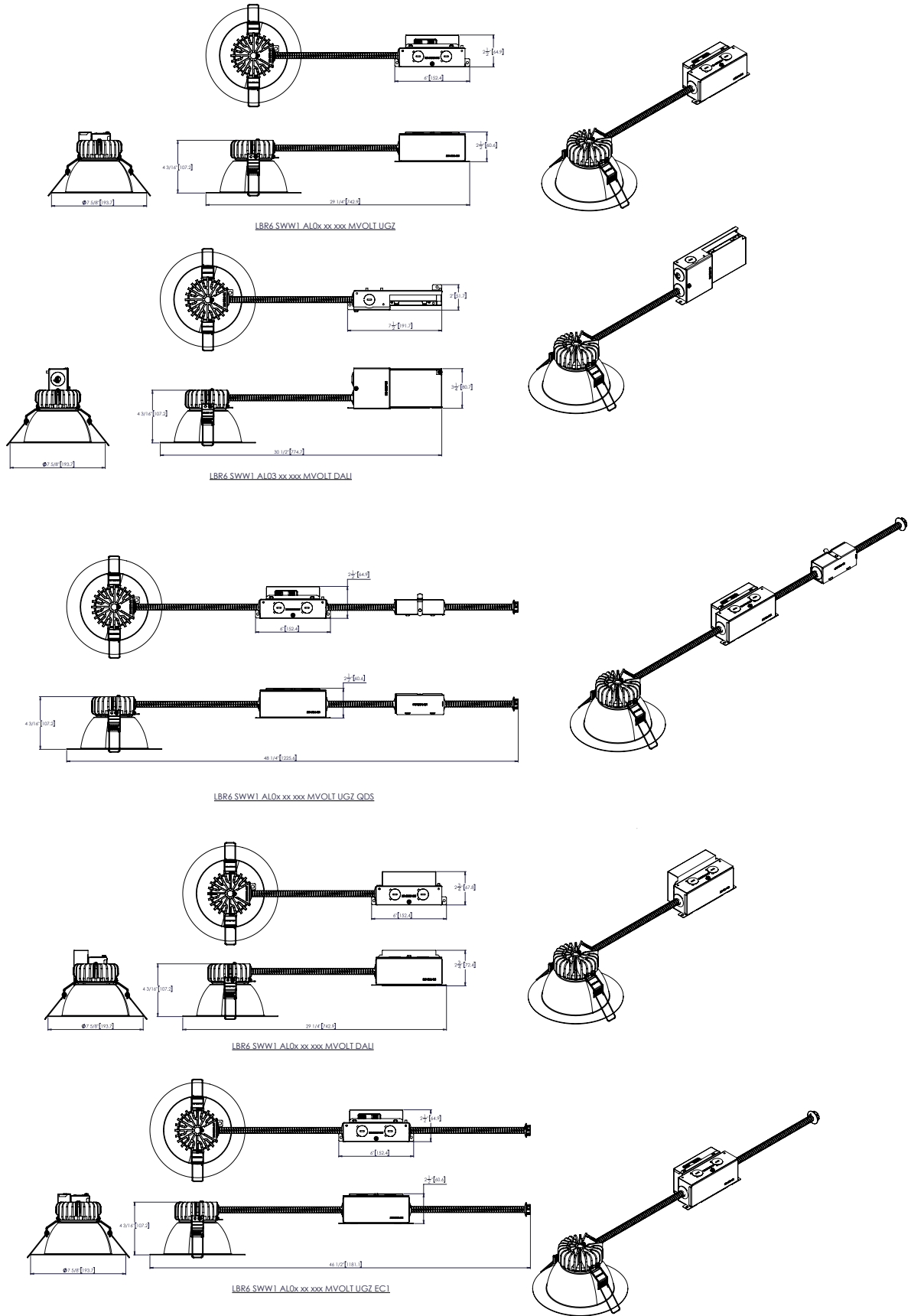
6" New Construction Frame, 18" conduit



6" New Construction Frame, QDS

# LBR6

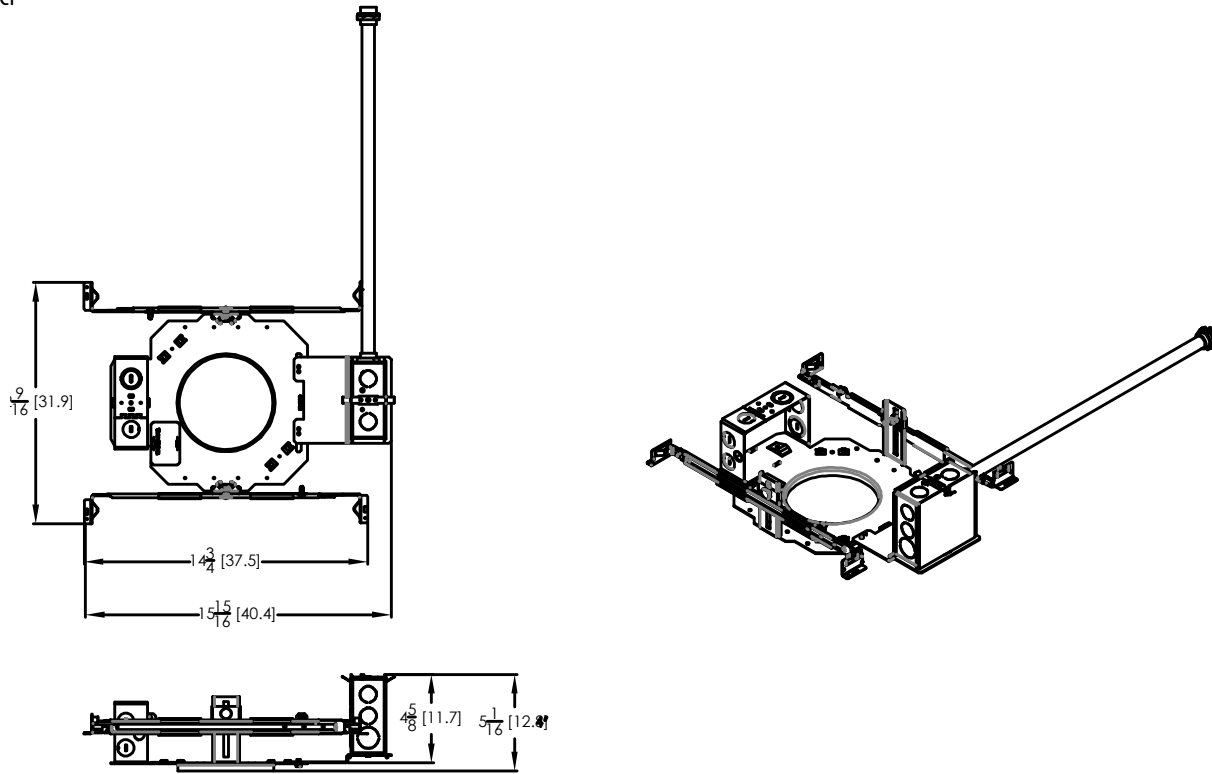
\* All dimensions are inches (millimeters) unless otherwise noted.



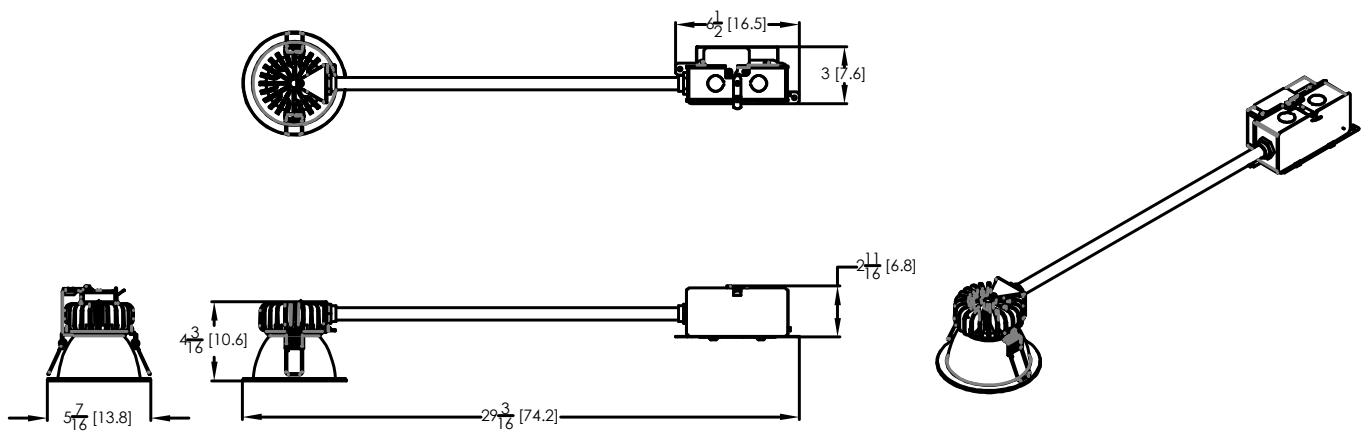
# LBR6

\* All dimensions are inches (millimeters) unless otherwise noted.

## LBR6PFWCP



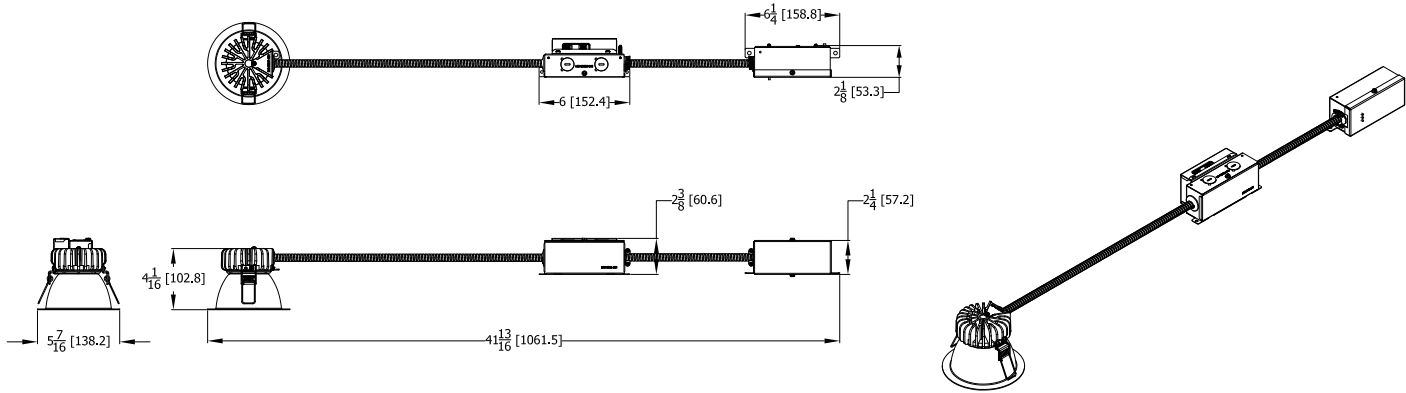
## LBR6 SWW1 ALOx MVOLT UGZ CP



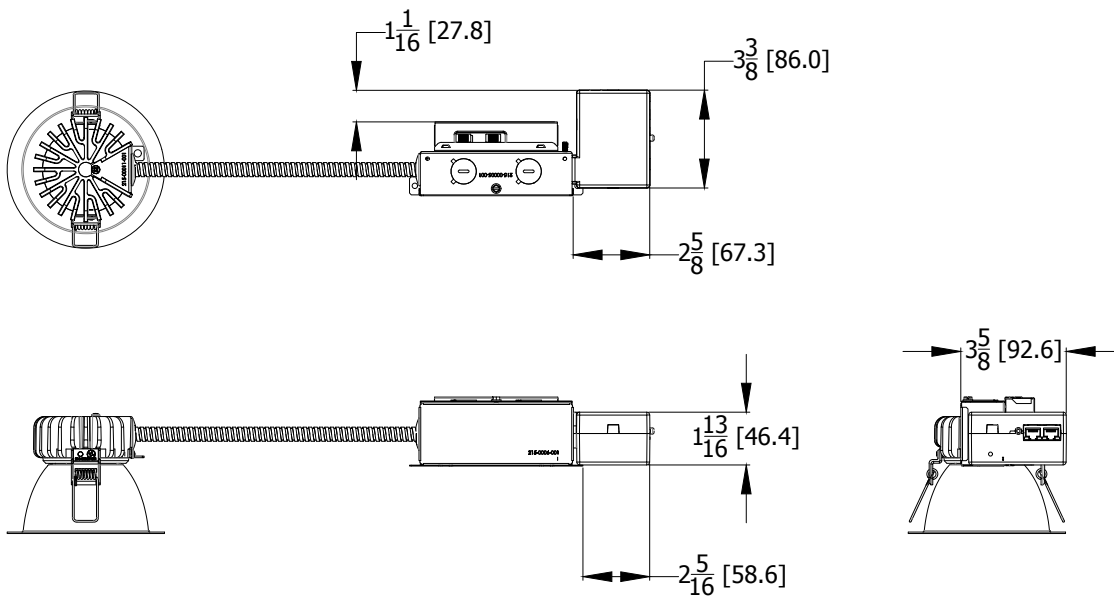
# LBR6

\* All dimensions are inches (millimeters) unless otherwise noted.

## LBR6 ALOx SWW1 xx xxx 347 UGZ



## LBRx nLIGHT



# LBR6

## PHOTOMETRY

### Distribution Curve

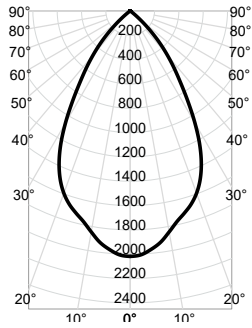
### Distribution Data

### Output Data

### Coefficient of Utilization

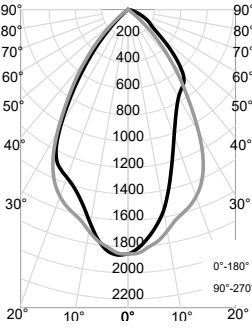
### Illuminance Data at 30" Above Floor for a Single Luminaire

**LBR6 SWW1 ALO2 AR LSS MWD MVOLT UGZ, Input Watts: 18.1, Delivered Lumens: 1970, LPW: 108.8, S/MH: 0.94, Test No: 20-518-03**



CP Summary		Zonal Lumen Summary				Coefficients of Utilization								Cone of Light			Luminaire (cd/sq.m)	
0°	90°	Zone	Lumens	% Fixture	pf	50%		70%		50%		Mounting Height	Initial FC Center Beam	Beam Diameter	Average Luminaire			
0°	90°	Zone	Lumens	% Fixture	pc	50%	30%	10%	50%	30%	10%				50%	30%	10%	0°
0° 2,018	0° - 30° 1,292	66%	0	119	119	119	116	116	116	111	111	6.0	56.1	7.1	0° 142,862			
5° 1,968	0° - 40° 1,751	89%	1	111	108	106	108	106	104	104	102	8.0	31.5	9.5	45° 25,559			
15° 1,721	0° - 60° 1,967	100%	2	102	98	95	101	97	94	98	94	10.0	20.2	11.9	55° 1,074			
25° 1,383	0° - 90° 1,970	100%	3	95	90	86	94	89	85	91	87	12.0	14.0	14.3	65° 402			
35° 724	90° - 180° 0	0%	4	89	83	78	87	82	78	85	81	14.0	10.3	16.7	75° 246			
45° 255	0° - 180° 1,970	100%	5	83	77	72	82	76	72	80	75				85° 162			
55° 9			6	77	71	66	76	70	66	75	70							
65° 2			7	72	66	62	72	66	61	70	65							
75° 1			8	68	62	57	67	61	57	66	61							
85° 0			9	64	58	53	63	57	53	62	57							
90° 0			10	60	54	50	60	54	50	59	53							

**LBR6WW SWW1 ALO2 AR LSS WW, Input Watts: 18.7, Delivered Lumens: 1981, LPW: 105.9, S/MH: 0.67, Test No: 20-518-A1**



CP Summary		Zonal Lumen Summary				Coefficients of Utilization								Luminaire (cd/sq.m)		
0°	90°	Zone	Lumens	% Fixture	pf	50%		70%		50%		Mounting Height	Initial FC Center Beam	Beam Diameter	Average Luminaire	
0°	90°	Zone	Lumens	% Fixture	pc	50%	30%	10%	50%	30%	10%				50%	30%
0° 1,857	1,857	0° - 30° 1,126	57%	0	119	119	119	116	116	116	111	111	111	111	45° 50,247	
5° 1,740	1,810	0° - 40° 1,581	80%	1	109	107	104	107	105	102	103	101	99	55° 27,523		
15° 1,265	1,602	0° - 60° 1,915	97%	2	100	96	92	99	94	91	95	92	89	65° 21,156		
25° 864	1,349	0° - 90° 1,981	100%	3	92	87	82	91	86	81	88	84	80	75° 12,281		
35° 719	760	90° - 180° 0	0%	4	85	79	74	84	78	74	82	77	73	85° 7,229		
45° 502	280	0° - 180° 1,981	100%	5	79	72	67	78	72	67	76	70	66			
55° 223	22			6	73	66	62	72	66	61	71	65	61			
65° 126	10			7	68	61	57	67	61	56	66	60	56			
75° 45	4			8	64	57	52	63	57	52	62	56	52			
85° 9	1			9	59	53	49	59	53	48	58	52	48			
90° 0	2			10	56	49	45	55	49	45	55	49	45			

## LBR ROUND LUMEN TABLES

LBR6		80CRI							
Lumen Output	Wattage	30K/80CRI		35K/80CRI		40K/80CRI		50K/80CRI	
		Delivered Lumens	LPW	Delivered Lumens	LPW	Delivered Lumens	LPW	Delivered Lumens	LPW
AL01 (500LM)	6	571	99	585	101	599	103	617	105
AL01 (750LM)	9	905	102	926	103	948	105	977	108
AL01 (1000LM)	13	1270	98	1300	100	1330	102	1372	104
AL02 (1000LM)	13	1346	108	1378	110	1410	112	1454	115
AL02 (1500LM)	19	1965	105	2011	107	2059	109	2123	111
AL02 (2000LM)	25	2476	100	2533	101	2593	103	2674	106
AL03 (2000LM)	25	2547	103	2606	105	2668	107	2751	109
AL03 (2500LM)	32	3075	98	3146	100	3221	101	3321	104
AL03 (3000LM)	38	3492	93	3573	95	3658	96	3771	99

LBR6WW		80CRI							
Lumen Output	Wattage	30K/80CRI		35K/80CRI		40K/80CRI		50K/80CRI	
		Delivered Lumens	LPW	Delivered Lumens	LPW	Delivered Lumens	LPW	Delivered Lumens	LPW
AL01 (500LM)	6	570	99	584	101	597	102	616	105
AL01 (750LM)	9	903	102	924	103	946	105	975	108
AL01 (1000LM)	13	1268	98	1297	100	1328	102	1369	104
AL02 (1000LM)	13	1344	108	1375	110	1408	112	1451	115
AL02 (1500LM)	19	1961	105	2007	106	2055	108	2118	111
AL02 (2000LM)	25	2471	99	2528	101	2588	103	2668	105
AL03 (2000LM)	25	2542	103	2601	104	2663	106	2745	109
AL03 (2500LM)	32	3069	98	3140	99	3214	101	3314	103
AL03 (3000LM)	38	3485	93	3566	94	3651	96	3764	98

		90CRI							
Lumen Output	Wattage	30K/90CRI		35K/90CRI		40K/90CRI		50K/90CRI	
		Delivered Lumens	LPW	Delivered Lumens	LPW	Delivered Lumens	LPW	Delivered Lumens	LPW
AL01 (500LM)	6	499	87	513	88	527	90	540	92
AL01 (750LM)	9	791	89	812	91	834	93	855	94
AL01 (1000LM)	13	1110	86	1140	88	1170	90	1200	91
AL02 (1000LM)	13	1177	95	1209	97	1241	99	1272	101
AL02 (1500LM)	19	1718	92	1764	93	1811	95	1857	97
AL02 (2000LM)	25	2164	87	2222	89	2281	91	2340	92
AL03 (2000LM)	25	2226	90	2286	92	2347	94	2407	95
AL03 (2500LM)	32	2687	86	2760	87	2833	89	2906	91
AL03 (3000LM)	38	3052	81	3135	83	3217	85	3300	86

		90CRI							
Lumen Output	Wattage	30K/90CRI		35K/90CRI		40K/90CRI		50K/90CRI	
		Delivered Lumens	LPW	Delivered Lumens	LPW	Delivered Lumens	LPW	Delivered Lumens	LPW
AL01 (500LM)	6	498	87	512	88	526	90	539	92
AL01 (750LM)	9	789	89	810	91	832	92	853	94
AL01 (1000LM)	13	1108	86	1138	88	1168	89	1198	91
AL02 (1000LM)	13	1174	95	1206	97	1238	99	1270	100
AL02 (1500LM)	19	1714	91	1761	93	1807	95	1854	97
AL02 (2000LM)	25	2159	87	2218	89	2276	91	2335	92
AL03 (2000LM)	25	2222	90	2282	92	2342	94	2402	95
AL03 (2500LM)	32	2682	85	2755	87	2827	89	2900	91
AL03 (3000LM)	38	3046	81	3129	83	3211	85	3294	86

# LBR6

LUMEN OUTPUT MULTIPLIERS - CCT			
3000K	3500K	4000K	5000K
0.98	1.0	1.01	1.03

LUMEN OUTPUT MULTIPLIERS - FINISH	
Specular (LS)	1.00
White (WR)	1.03
Black (BR)	0.60

## HOW TO ESTIMATE DELIVERED LUMENS IN EMERGENCY MODE

Use the formula below to estimate the delivered lumens in emergency mode

$$\text{Delivered Lumens} = 1.25 \times P \times \text{LPW}$$

P = Output power of emergency driver. P = 10W for PS1055CP

LPW = Lumen per watt rating of the luminaire. This information is available on the ABL luminaire spec sheet.

The LPW rating is also available at [Designlight Consortium](http://Designlight Consortium).

PLENUM DEPTH TABLE				
Aperture Size/Output	Fixture Height*	IC	NON-IC	NON-IC MARKED SPACINGS
LBR6 500-1000 LM	3.69	X		
LBR6 1000-2000 LM	3.69		X	
LBR6 2000-3000 LM	3.69			24 x 24 x 9

\*Above unfinished 1/2" ceiling plane

CEILING COVERAGE TABLE								
Series		Aperture	Trim Flange OD	Min ceiling opening	Ceiling Thickness	Max ceiling opening	Max Ceiling Opening with Goof Ring	Overall Goof Ring OD
LBR6	ROUND	5-5/16"	7-5/8"	5-3/4"	1/2"	7-1/8"	7-1/8"	9-1/4"
LBR6					1-1/2"	7-3/8"	7-1/2"	

## DIMMER COMPATIBILITY

Not compatible with DALI or DMX dimmers. For specific compatible dimmers see below.

LINE VOLTAGE DIMMING:					
Type	Forward Phase	S (500-1000lm)	M (1000-2000lm)	L (2000-3000lm)	Comment
MLV	Lutron Glyder GLV-600	YES	YES	YES	
INC	Leviton SureSlide 6633	YES	YES	YES	
MLV	Lutron Diva DVLV-600P	YES	YES	YES	
MLV	Lutron Skylark SLV-600P	YES	YES	YES	
INC	Lutron RadioRA 2 10ND	YES	YES	YES	
MLV	Leviton SureSlide 6613-PLW	YES	YES	YES	
INC	Lutron Diva DVCL-153P	YES	YES	YES	
MLV	Leviton IPM06	YES, 2x *	YES	YES	* min 2 fixtures
INC	Leviton IPI06	YES, 2x *	YES	YES	* min 2 fixtures
MLV	Synergy ISD 600LV	YES, 2x *	YES	YES	* min 2 fixtures
INC	Synergy ISD 600 I	YES, 2x *	YES	YES	* min 2 fixtures
INC	Control4 C4-FPD 120	YES	YES	YES	
Type	Reverse Phase Dimmer Bank	S (500-1000lm)	M (1000-2000lm)	L (2000-3000lm)	
ELV	Lutron Nova T NTELV-600	YES	YES	YES	
ELV	Lutron Diva DVELV 600P	YES	YES	YES	
ELV	Lutron Maestro MAELV 600	YES	YES	YES	
ELV	Leviton Vizia VPE06-1LX	YES	YES	YES	
ELV	Leviton Illumatech IPE04	YES	YES	YES	
ELV	Control4 C4-APD 120 REVERSE PHASE	YES	YES	YES	
Type	Miscellaneous Dimmers	S (500-1000lm)	M (1000-2000lm)	L (2000-3000lm)	
PHA	Lutron RadioRA2 RRD-6NA	YES	YES	YES	
PHA	Lutron Maestro PRO LED+ RRD-PRO	YES	YES	YES	
Type	Control Systems	S (500-1000lm)	M (1000-2000lm)	L (2000-3000lm)	
MLV	Lutron LP-RPM-4U	YES	YES	YES	
PHA	Lutron LP-RPM-4A	YES	YES	YES	
MLV	Lutron GRAPHIC EYE QSGRJ-3P	YES	YES	YES	
PHA	Lutron PA Power Module PHPM-PA-120	YES	YES	YES	
ELV	Lutron nLight nSP5PCD ELV	YES	YES	YES	

## DIMMER COMPATIBILITY

Not compatible with DALI or DMX dimmers. For specific compatible dimmers see below.

0-10V DIMMING:						
Manufacturer	System Type	Description	P/N	S (500-1000lm)	M (1000-2000lm)	L (2000-3000lm)
Lutron	Other	0-10V (sink or source) PowPak wireless dimming module	RMJ-5T-DV-B	YES	YES	YES
Wattstopper	Control System	Digital single relay room controller (0-10V)	LMRC-211	YES	YES	YES
Crestron	Control System	DIN Rail 0-10V fluorescent dimmer, 4 feeds, 4 channels (Green Light System)	DIN-4DIMFLV4	YES	YES	YES
Lutron	Other	Grafik Eye 0-10V adapter	GRX-TVI	YES	YES	YES
Leviton	Wall Box	Illumatech 0-10V	IP710-DLX	YES	YES	YES
Lutron	Control System	Mounted in the Homeworks QS panel - 0-10V dimmer (sink or source)	GRX-TVM2	YES	YES	YES
Lutron	Wall Box	Nova 0-10V wallbox dimmer (use with PP-120-H line voltage relay)	NTFTV	YES	YES	YES
Lutron	Wall Box	Nova 0-10V wallbox dimmer (use with PP-120-H line voltage relay)	NTSTV-DV	YES	YES	YES
Lutron	Wall Box	Nova T	NFTV	YES	YES	YES
Leviton	Wall Box	Renior II 0-10V	AWSMG-7DW	YES	YES	YES
ACUITY	Wall Box	sensorswitch, wall switch sensor, occupancy controlled dimming	WSX D WH	YES	YES	YES
ACUITY	Control System	nLight	nPP16D	YES	YES	YES
ACUITY	Control System	nLight	nPS 80 EZ	YES	YES	YES
ACUITY	Control System	nLight Air	rPP20 D	YES	YES	YES