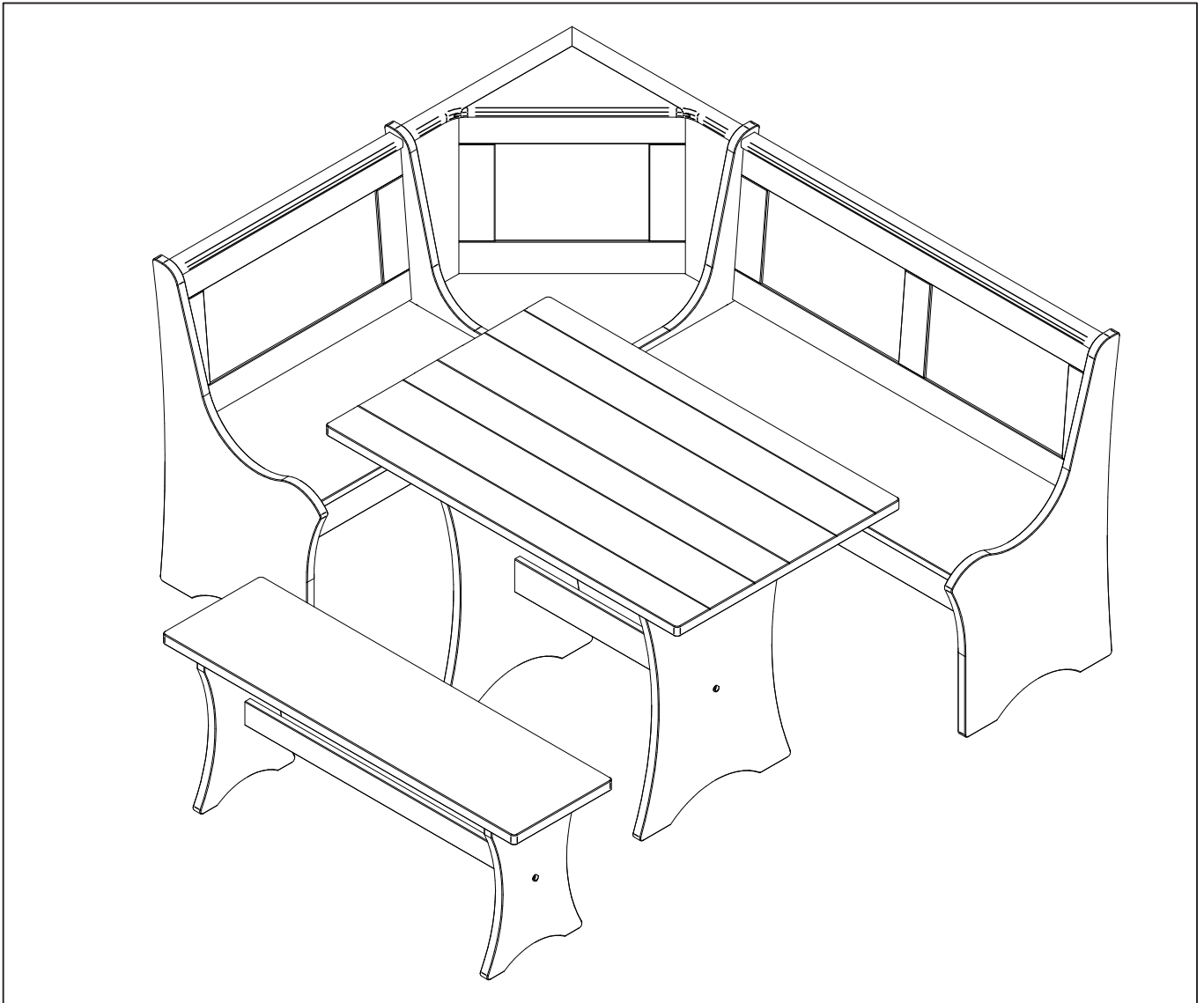


Antique Nook Black AB



We are here to help! Before you return It - contact us.

We do our best to ensure that your furniture arrives in excellent condition. In the event that a part is damaged or missing, Linon Home Decor will be happy to provide you with replacement parts, at no charge, within 30 days of purchase, providing the parts are available in our warehouse and the item purchased is part of our current inventory. In order to receive spare parts, at no charge, you must provide proof of purchase within 30 days.

If you need assistance with assembly or replacement parts, please call Linon Customer service, prior to returning the item to the store.


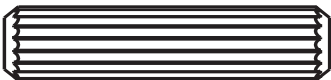
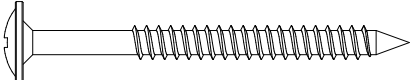
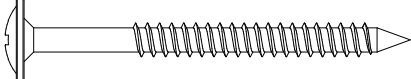
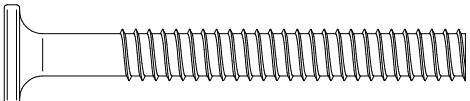
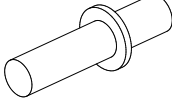

Our office is open Monday- Friday 9 AM-5PM, Eastern Standard Time.
Our toll free customer service number is: 1-800-262-1852.
Or visit our web site [w.w.w.Linon.com](http://www.Linon.com) to order spare parts and for care instructions on your newly purchased furniture.

IMPORTANT NOTE: Follow instructions listed below in the proper sequence as numbered to assure fast, easy and correct assembly.
Factory code: **BR7 - 50156**

HARDWARE PACKAGE COUNT(CORNER BENCH)

OPEN HARDWARE PACKAGE ON A FLAT SURFACE COVERED WITH NEWSPAPER. COUNT EACH PIECE OF HARDWARE TO MATCH THE QUANTITY NUMBER IN THE HARDWARE IDENTIFICATION COLUMN. CALL CUSTOMER SERVICE IF ANY PARTS ARE MISSING. FOLLOW THE LETTER IDENTIFICATION WHEN READING THE ASSEMBLY DRAWING "A" THROUGH "K".

HARDWARE IDENTIFICATION

A		WOODEN DOWEL 1 3/16" LONG 8 x 30mm	15
B		WOODEN DOWEL 1 3/4" LONG 8 x 50mm	20
F		SCREW 1 3/5" LONG 4,5 x 40mm	26
G		SCREW 1 3/8" LONG 4,5 x 35mm	46
H		SCREW 2 3/8" LONG 7 x 60mm	04
I		PLASTIC PIN	04
K		ALLEN WRENCH	01

IMPORTANT:

PLEASE USE ALL THE HARDWARE MENTIONED ABOVE.
THEY WILL ASSURE THE ITEM STABILITY AND SAFETY.
FOLLOW PROJECT DRILLING.

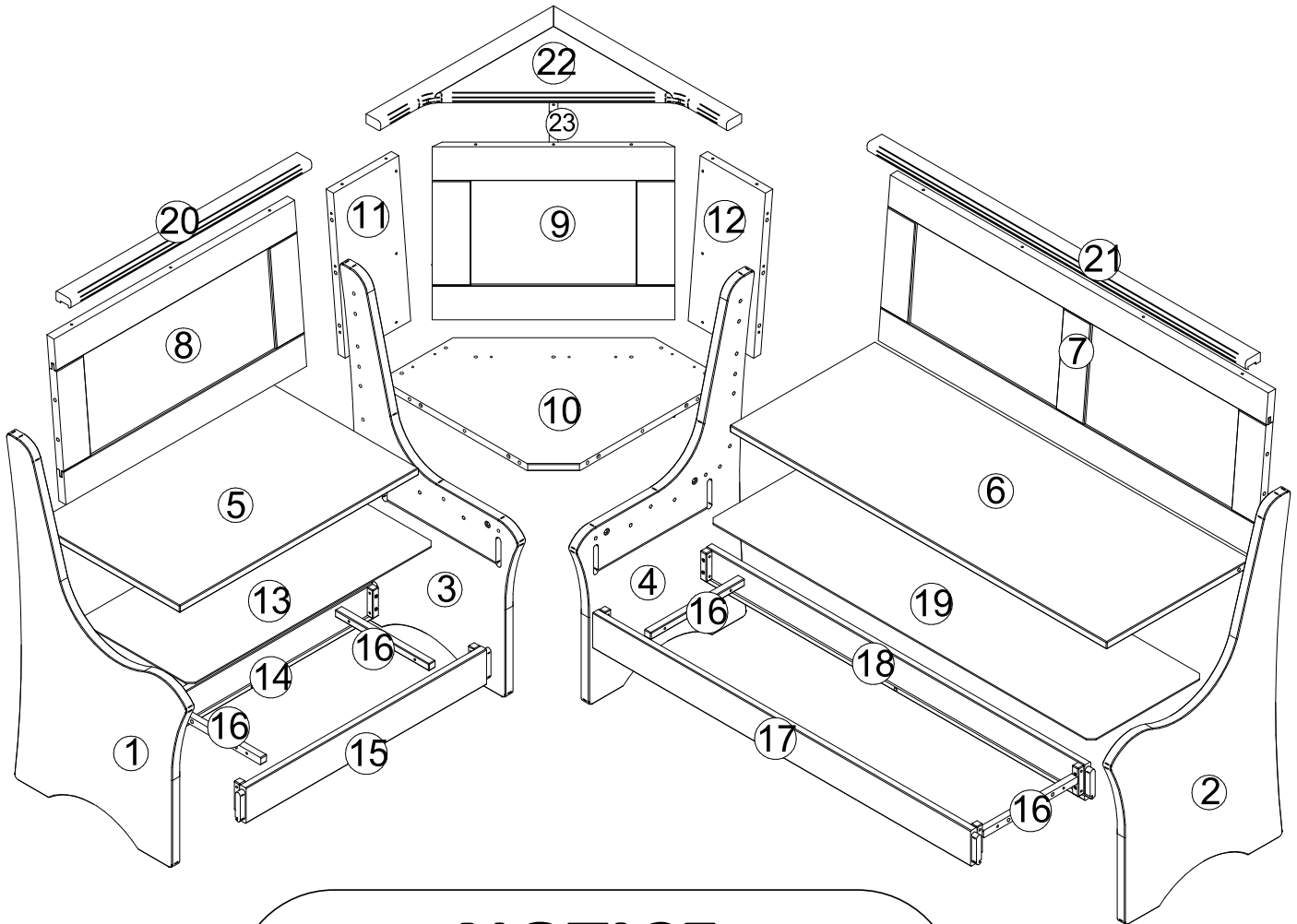
TOOLS REQUIRED

A STANDARD PHILLIPS HEAD SCREW DRIVER (NOT PROVIDED) AND AN ALLEN WRENCH PROVIDED (K).
USE A PLASTIC HEAD Mallet TO TAP IN WOODEN DOWELS. NOTE: A PIECE OF WOOD CAN ALSO BE USED TO KNOCK IN WOODEN DOWELS. BEFORE YOU BEGIN ASSEMBLY, SELECT AN OPEN SPACE, PREFERABLY ON A CARPET AREA. IF ASSEMBLING ON A HARD SURFACE, OR ON A WOOD FLOOR, USE A BLANKET TO PREVENT SCRATCHING THE FURNITURE AS WELL AS THE WOOD FLOOR.

PARTS IDENTIFICATION

- LEFT OUTSIDE LEG #01
- RIGHT OUTSIDE LEG #02
- MIDDLE LEG (LEFT) #03
- MIDDLE LEG (RIGHT) #04
- SINGLE BENCH SEAT #05
- DOUBLE BENCH SEAT #06
- DOUBLE BENCH BACK REST #07
- SINGLE BENCH BACK REST #08
- CENTER BACK PANEL #09
- CORNER SEAT #10
- CENTRAL BACK (LEFT) #11
- CENTRAL BACK (RIGHT) #12

- SINGLE BENCH STORAGE BOTTOM #13
- SINGLE BENCH BACK RAIL #14
- SINGLE BENCH FRONT RAIL #15
- CLEAT (4X) #16
- DOUBLE BENCH FRONT RAIL #17
- DOUBLE BENCH BACK RAIL #18
- DOUBLE BENCH STORAGE BOTTOM #19
- TOP RAIL FOR SINGLE BACK REST #20
- TOP RAIL FOR DOUBLE BACK REST #21
- CORNER TOP PANEL #22
- TOP PANEL CORNER SUPPORT #23



NOTICE

This product consists of 2 cartons total:

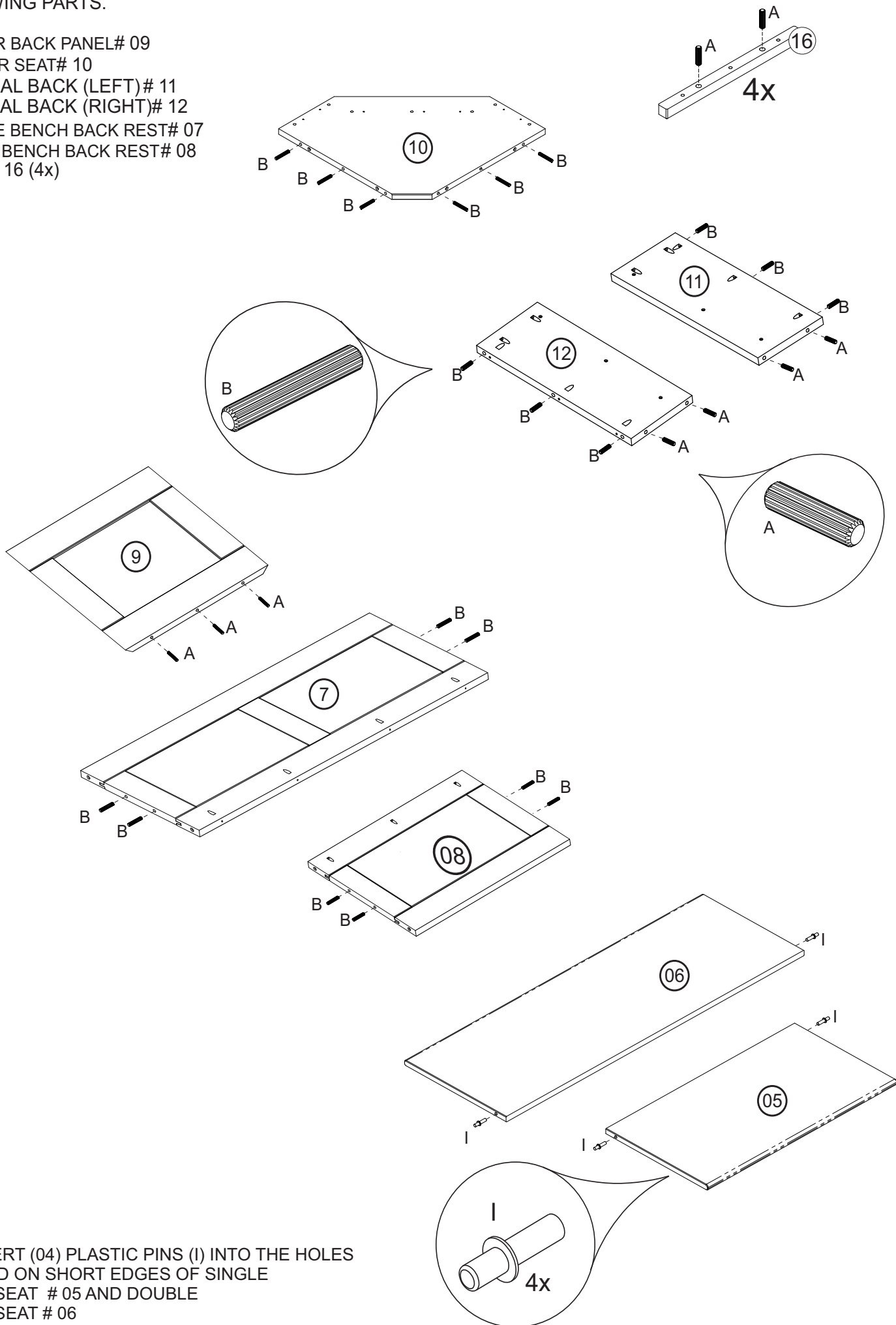
- Carton A: #1 #2 #3 #4 #5 #6 #7 #8 #9 #10
#11 #12 #13 #14 #15 #16 #17
#18 #19 #20 #21 #22 #23
- Carton B: #24 #25 #26 #27 #28 #29
#30 #31

Please verify you have both 2 cartons

STEP 1)

1.1 INSERT (15) WOODEN DOWELS (A), AND (20) WOODEN DOWELS (B) INTO THE HOLES LOCATED ON THE EDGES OF THE FOLLOWING PARTS.

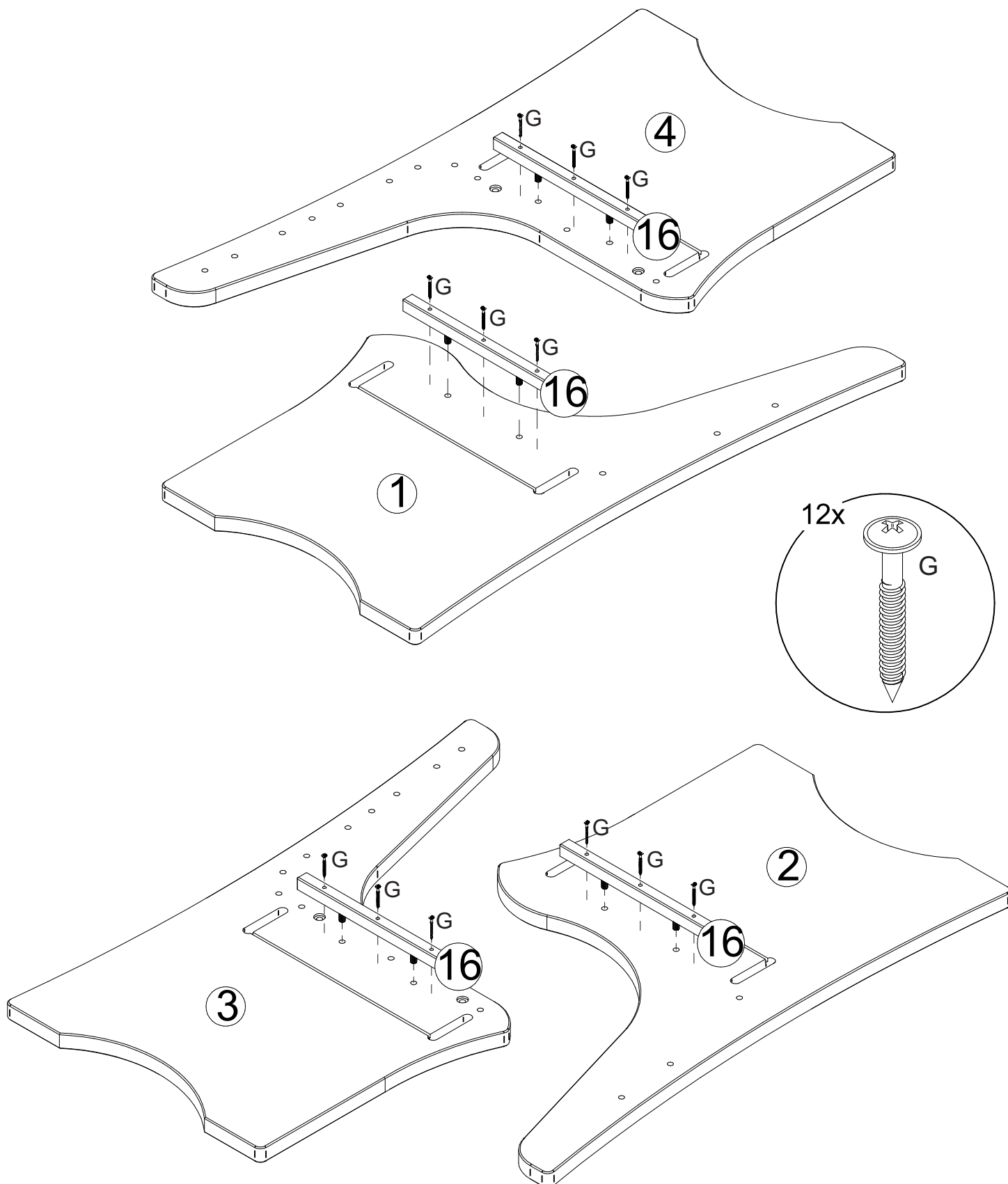
- CENTER BACK PANEL# 09
- CORNER SEAT# 10
- CENTRAL BACK (LEFT)# 11
- CENTRAL BACK (RIGHT)# 12
- DOUBLE BENCH BACK REST# 07
- SINGLE BENCH BACK REST# 08
- CLEAT# 16 (4x)



1.2. INSERT (04) PLASTIC PINS (I) INTO THE HOLES LOCATED ON SHORT EDGES OF SINGLE BENCH SEAT # 05 AND DOUBLE BENCH SEAT # 06

STEP 2)

2.1 FIX CLEATS #16 (4X) TO LEFT OUTSIDE LEG #01, RIGHT OUTSIDE LEG #02 AND MIDDLE LEGS #03 AND #04, USING (12) SCREWS (G), A PHILLIPS HEAD SCREWDRIVER (NOT PROVIDED), THE WOODEN DOWELS ALREADY INSERTED AND THE PRE-DRILLED HOLES AS GUIDE, AS PER DRAWING BELOW.



STEP 3)

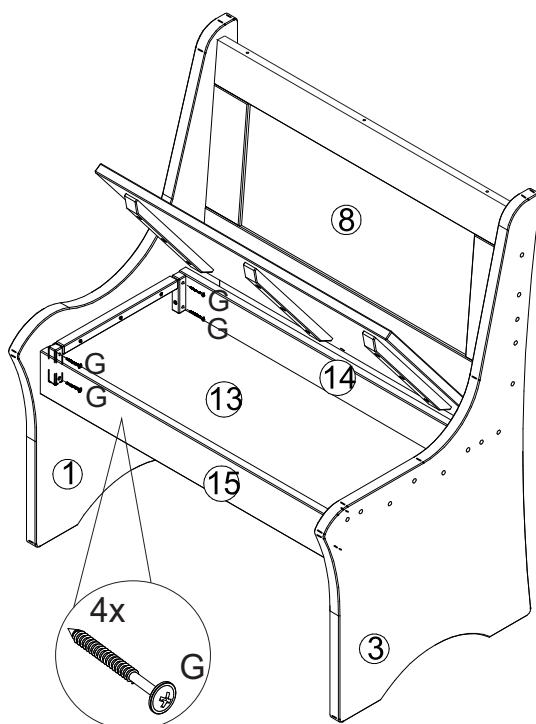
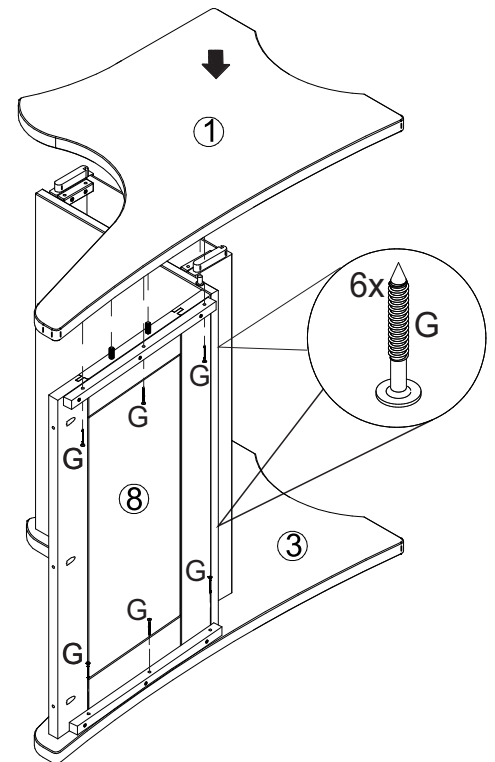
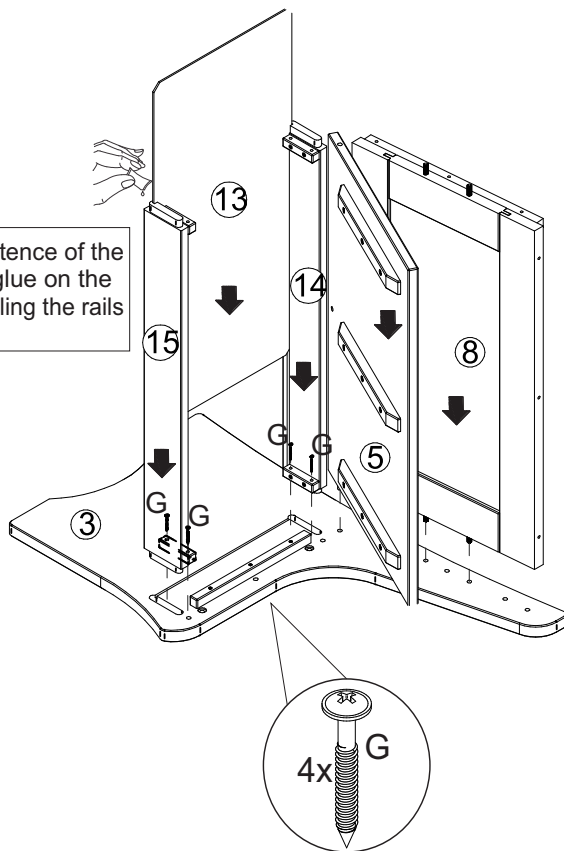
3.1 JOIN THE PIECES # 05, #08, #13, #14 AND #15 TO MIDDLE LEG #03, USING THE WOODEN DOWELS AND PINS ALREADY INSERTED.

3.2 FIX THE BACK AND FRONT RAILS # 14 AND #15 TO MIDDLE LEG #03, USING (04) SCREWS (G), A PHILLIPS HEAD SCREWDRIVER (NOT PROVIDED) AND THE PRE-DRILLED HOLES AS GUIDE, AS PER DRAWING BELOW.

3.3 FIX LEFT OUTSIDE LEG #01 TO PIECES #05, #08, #13, #14 AND #15, USING (06) SCREWS (G), A PHILLIPS HEAD SCREWDRIVER (NOT PROVIDED), THE WOODEN DOWELS ALREADY INSERTED AND THE PRE-DRILLED HOLES AS GUIDE, AS PER DRAWING BELOW.

3.4 TURN THE PIECE IN THE UPRIGHT POSITION AND FIX THE BACK AND FRONT RAILS #14 AND #15 TO THE LEFT OUTSIDE LEG #01, USING (04) SCREWS (G), A PHILLIPS HEAD SCREWDRIVER (NOT PROVIDED) AND THE PRE-DRILLED HOLES AS GUIDE, AS PER DRAWING BELOW.

To increase the resistance of the piece, you can use glue on the tenons when assembling the rails to the leg.



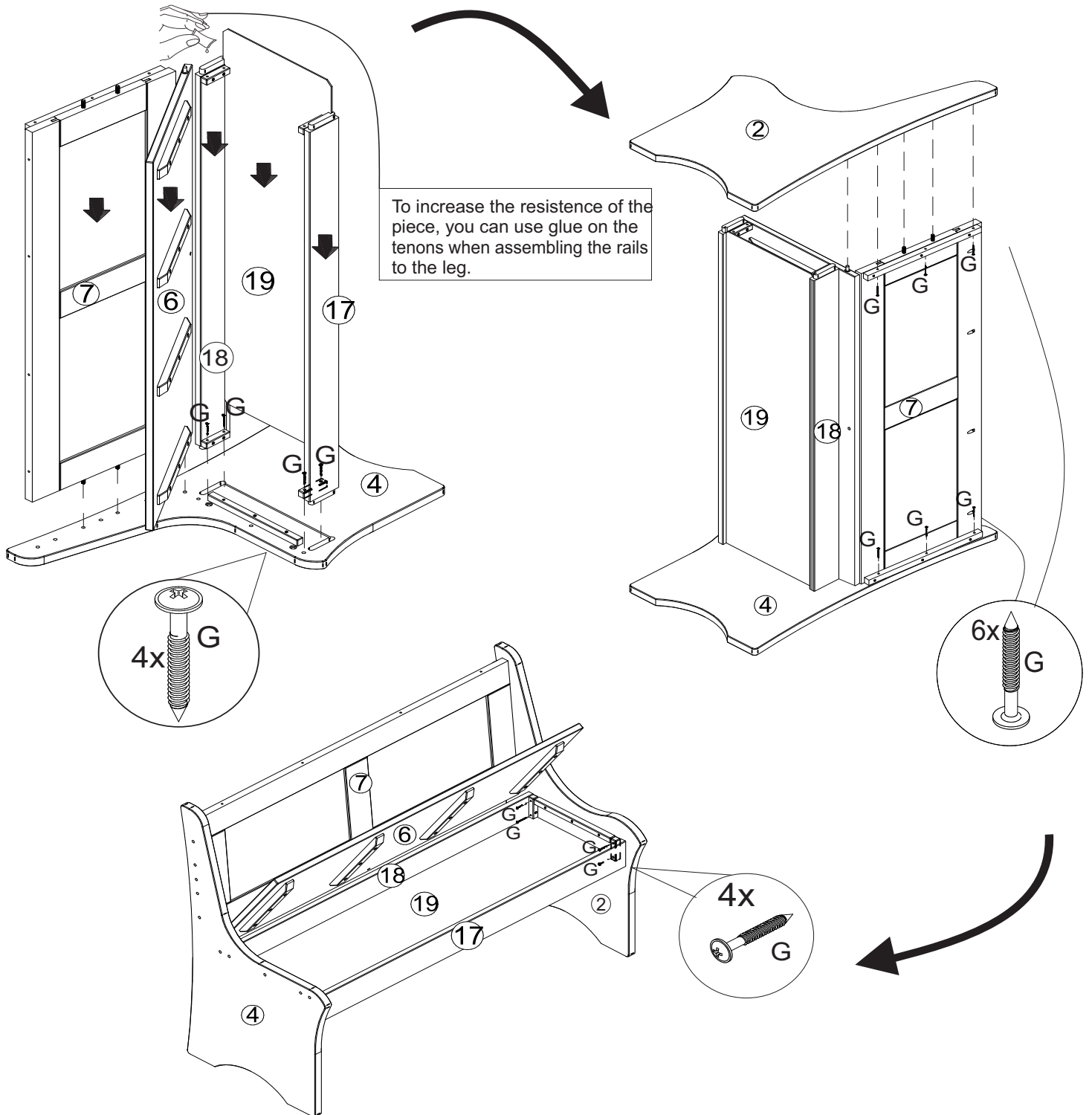
STEP 4)

3.1 JOIN THE PIECES # 06, #07, #17, #18 AND #19 TO MIDDLE LEG #04, USING THE WOODEN DOWELS AND PINS ALREADY INSERTED.

3.2 FIX THE BACK AND FRONT RAILS # 17 AND #18 TO MIDDLE LEG #04, USING (04) SCREWS (G), A PHILLIPS HEAD SCREWDRIVER (NOT PROVIDED) AND THE PRE-DRILLED HOLES AS GUIDE, AS PER DRAWING BELOW.

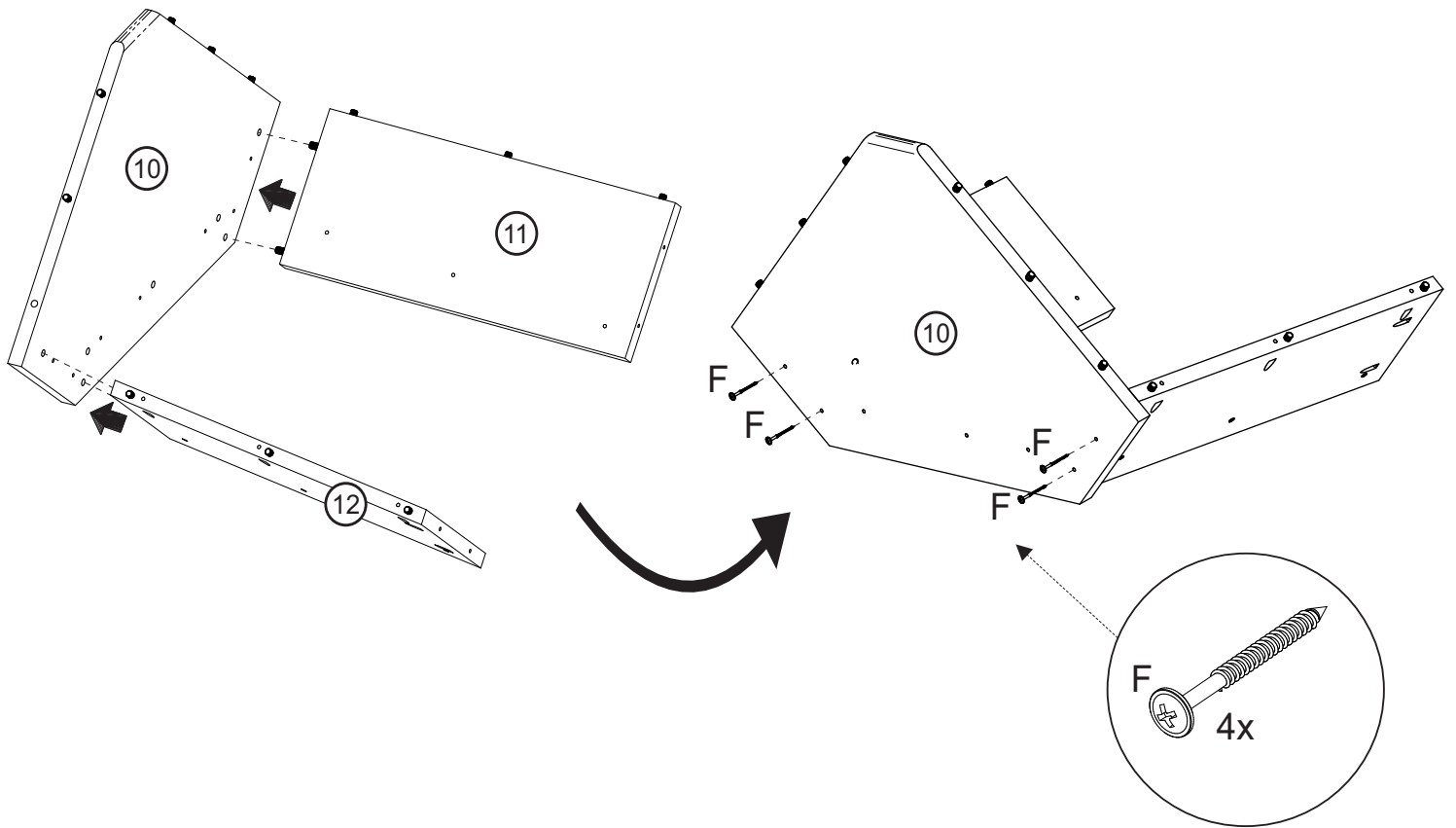
3.3 FIX RIGHT OUTSIDE LEG #02 TO PIECES #07, #06, #17, #18 AND #19, USING (06) SCREWS (G), A PHILLIPS HEAD SCREWDRIVER (NOT PROVIDED), THE WOODEN DOWELS ALREADY INSERTED AND THE PRE-DRILLED HOLES AS GUIDE, AS PER DRAWING BELOW.

3.4 TURN THE PIECE IN THE UPRIGHT POSITION AND FIX THE BACK AND FRONT RAILS # 17 AND #18 TO THE RIGHT OUTSIDE LEG #02, USING (04) SCREWS (G), A PHILLIPS HEAD SCREWDRIVER (NOT PROVIDED) AND THE PRE-DRILLED HOLES AS GUIDE, AS PER DRAWING BELOW.



STEP 5)

5.1 : TO ASSEMBLE THE CORNER PIECES, YOU NEED TO JOIN THE PIECES #11 AND #12, TO CORNER SEAT #10, USING THE WOODEN DOWELS ALREADY INSERTED. AFTER THAT, FIX THE PIECES USING (04) SCREWS (F) AND A PHILLIPS HEAD SCREWDRIVER (NOT PROVIDED), AS PER DETAIL.



USE / MAINTENANCE

1. Indoor use only.
2. Wipe clean with damp cloth.

Produced by:

CONSTRUTORA IMPLANTEC

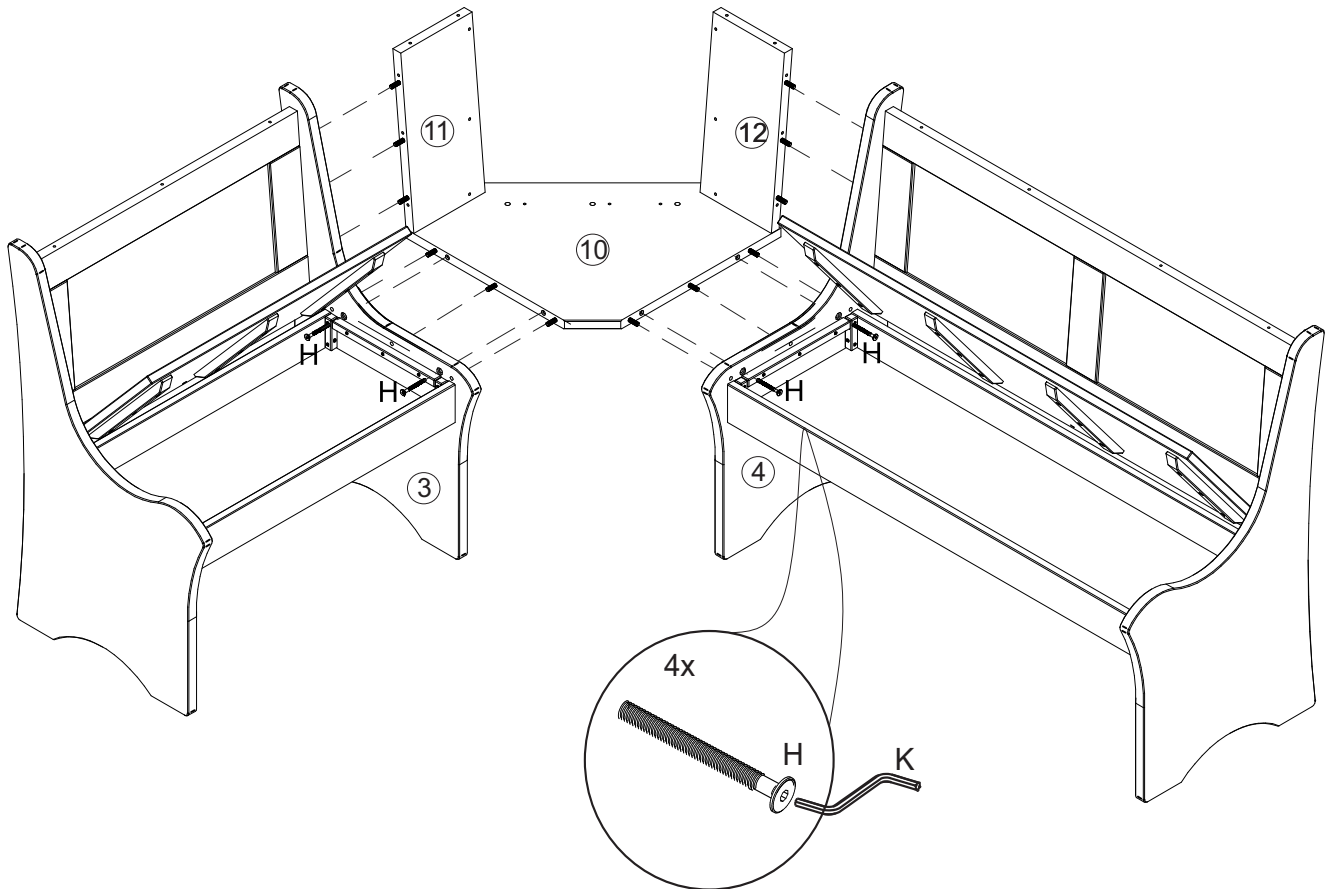
Rod. SCT 280, 1304 - Serra Alta

CEP: 89291-560

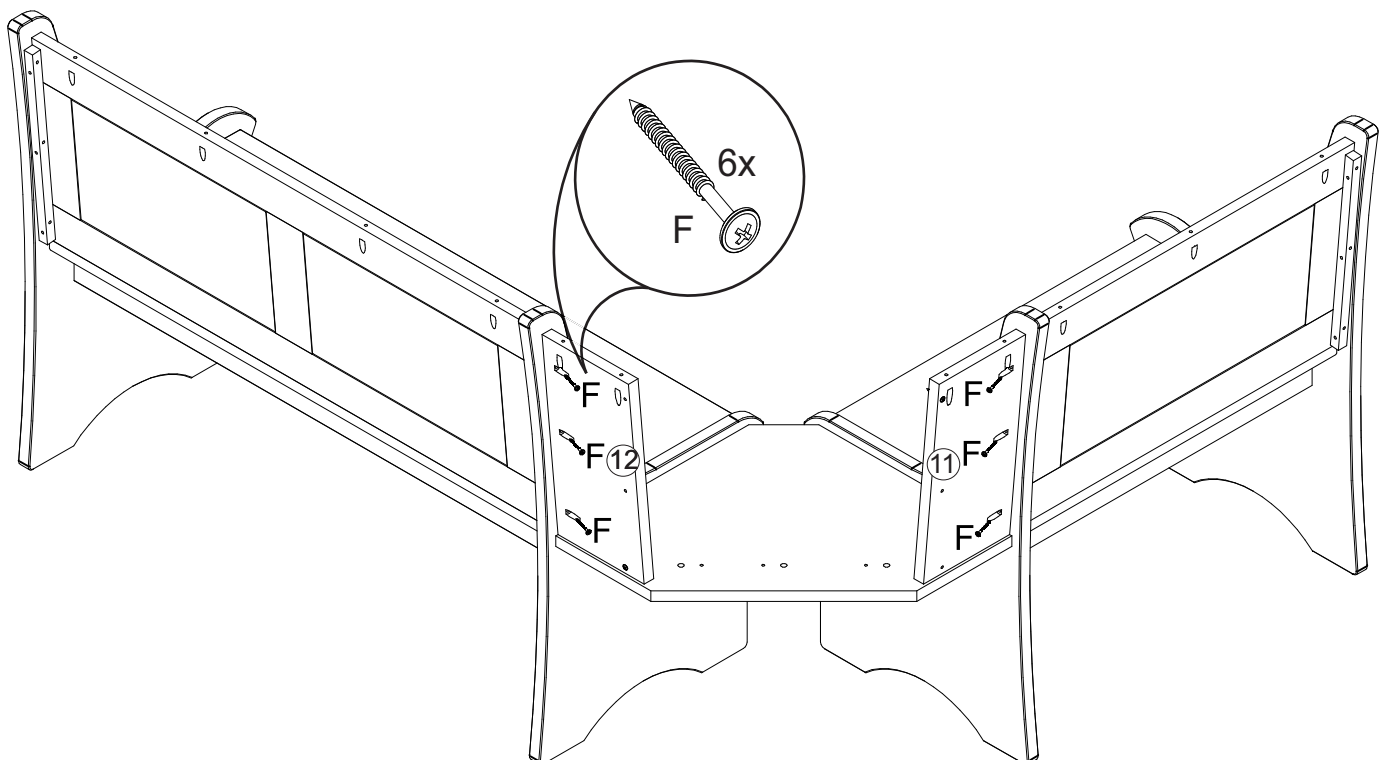
São Bento do Sul - SC - Brasil

STEP 6)

6.1 : TO ASSEMBLE THE CORNER PIECE TO SMALLER AND BIGGER BENCHES, JOIN THE PIECES USING THE WOODEN DOWELS ALREADY INSERTED. FIX THE PIECES USING (04) SCREWS (H), AND THE ALLEN WRENCH (K) (PROVIDED), AS PER DRAWING BELOW:

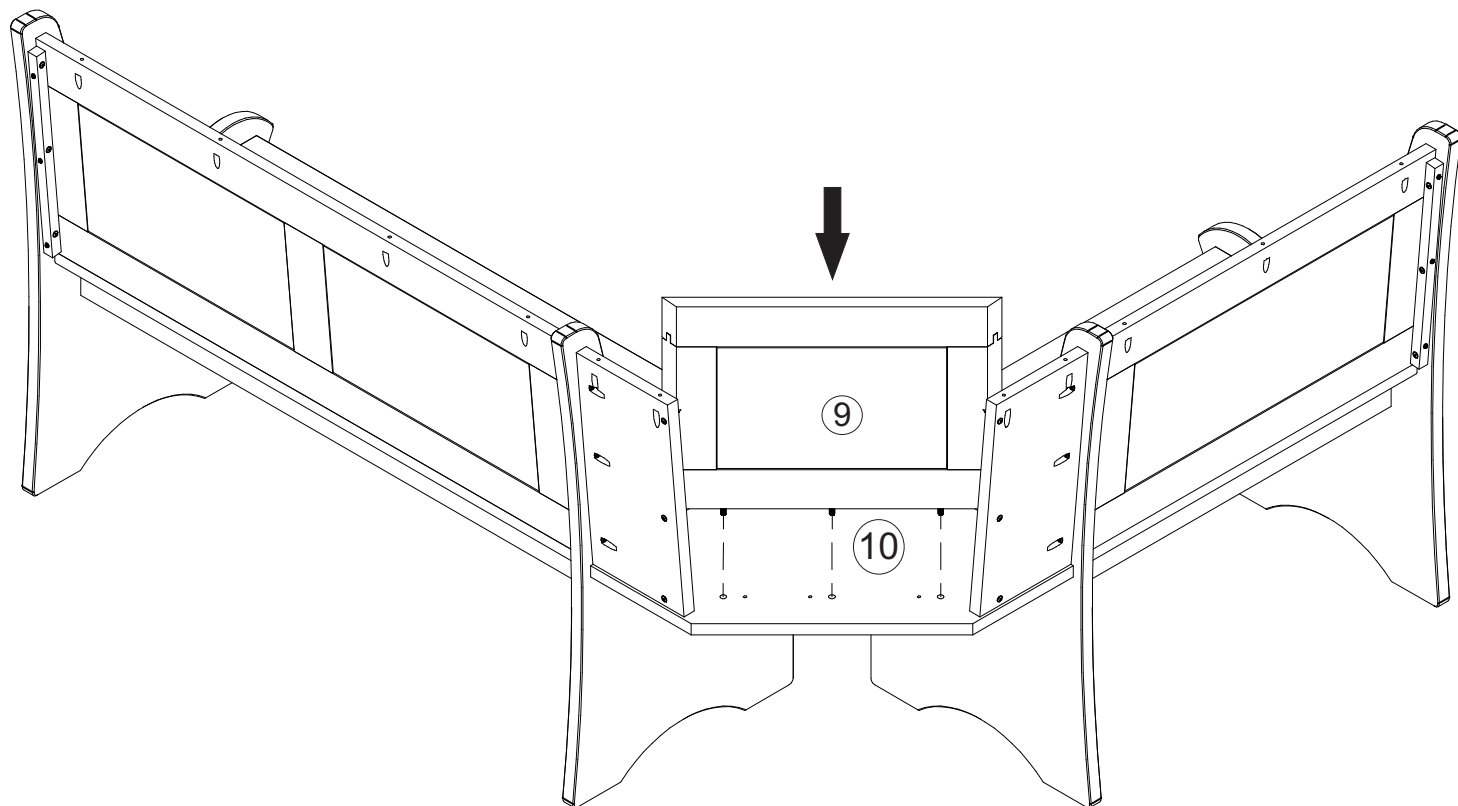
**STEP 7)**

7.1 : CONTINUE THE ASSEMBLY OF THE CORNER BENCH, FIXING THE PIECES #11 AND #12 TO THE MIDDLE LEGS, USING (06) SCREWS (F) A PHILLIPS HEAD SCREWDRIVER (NOT PROVIDED), AND PRE- DRILLED HOLES AS GUIDE, AS PER DETAIL.



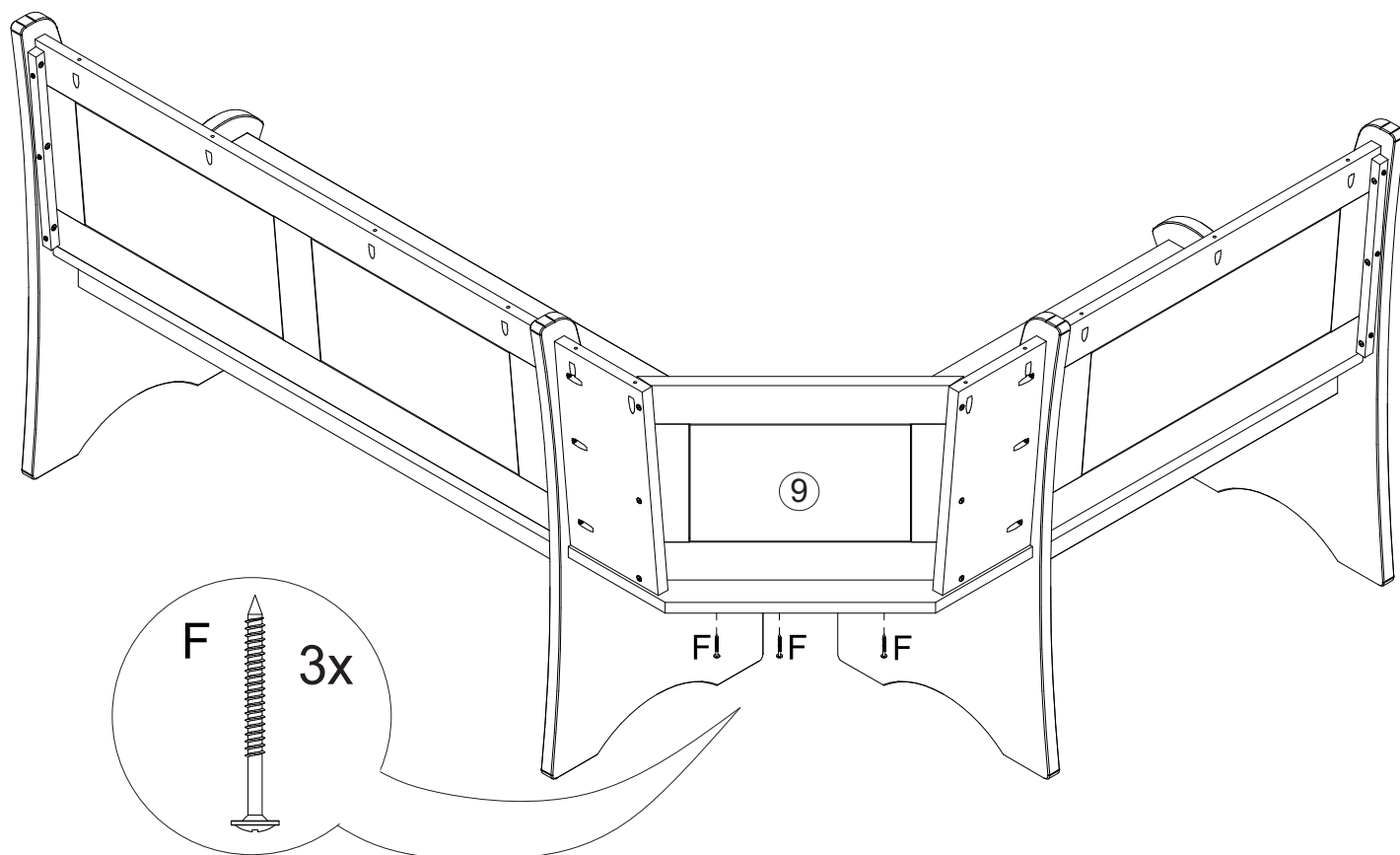
STEP 8)

8.1: FIT CENTER BACK PANEL # 09 TO CORNER SEAT #10, USING THE WOODEN DOWELS ALREADY INSERTED AND THE PRE-DRILLED HOLES AS GUIDES.



STEP 9)

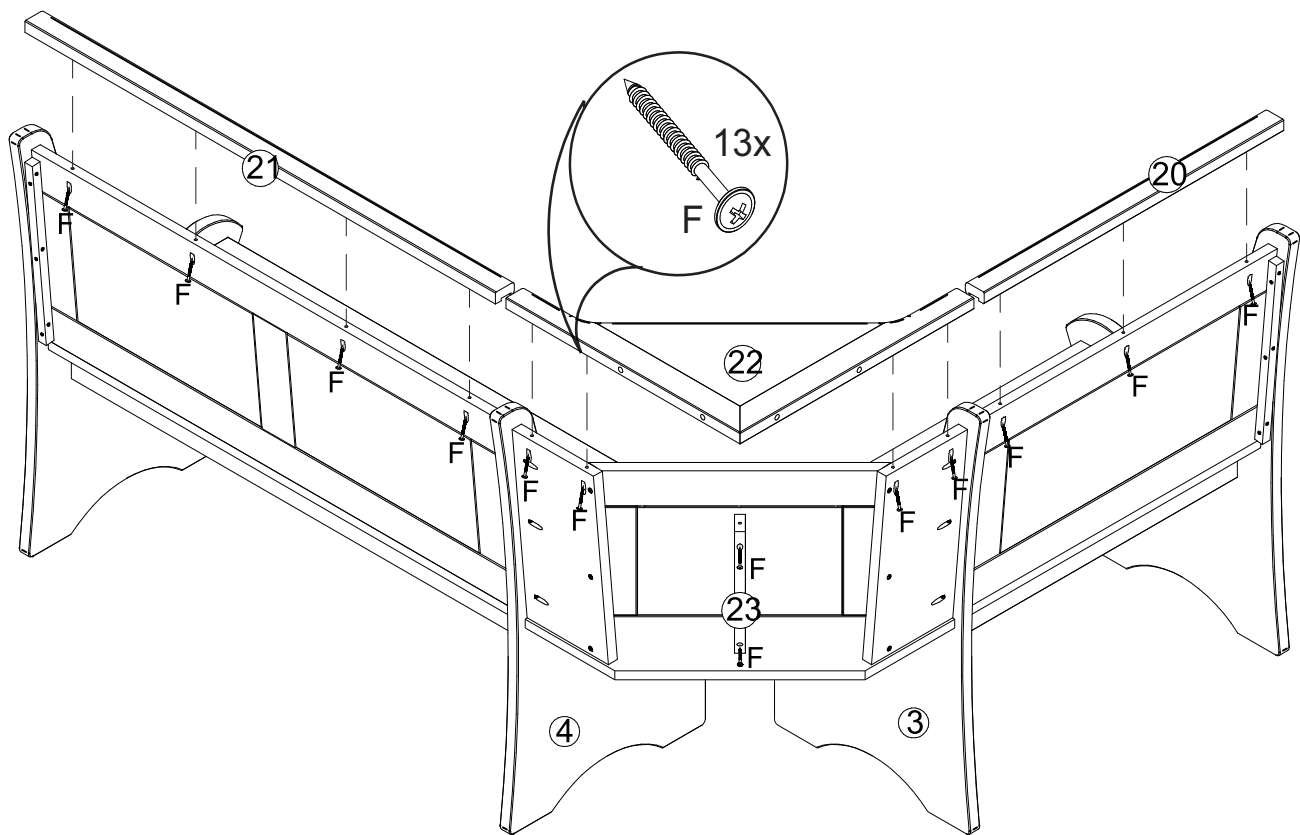
9.1: FIX CENTER BACK PANEL #09 TO CORNER SEAT # 10, USING (03) SCREWS (F), A PHILLIPS HEAD SCREWDRIVER (NOT PROVIDED) AND THE PRE-DRILLED HOLES AS GUIDES.



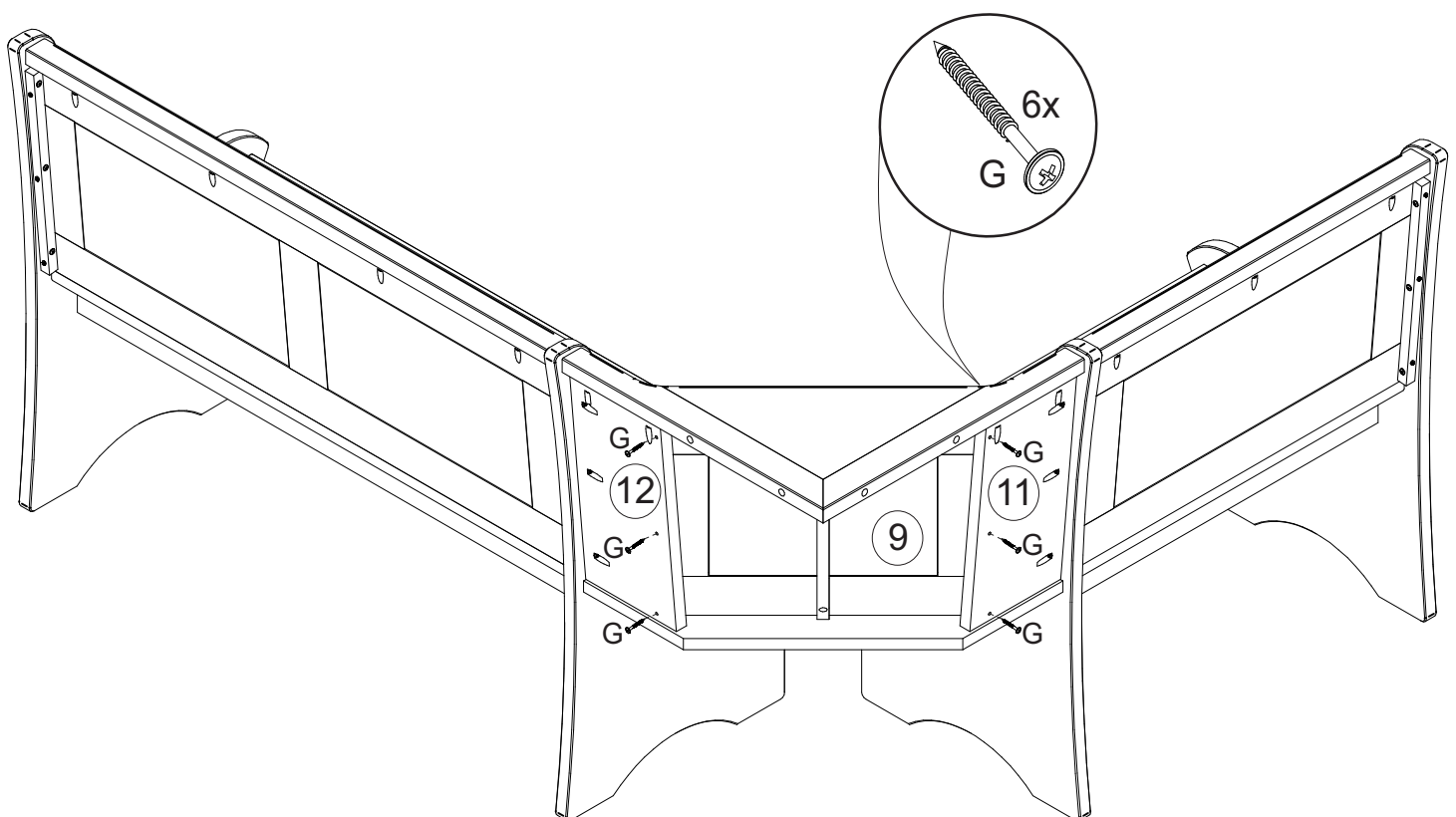
STEP 10)

10.1 : FIX THE TOP RAILS #20, #21 AND #22, TO THE ASSEMBLED BENCH, USING (11) SCREWS (F) AND A PHILLIPS HEAD SCREWDRIVER (NOT PROVIDED), AS PER DRAWING BELOW.

10.2: SECURE THE CORNER TOP PANEL #22 , FIXING IT TO SUPPORT #23, USING (02) SCREWS (F) AND A PHILLIPS HEAD SCREWDRIVER (NOT PROVIDED), AS PER DRAWING.

**STEP 11)**


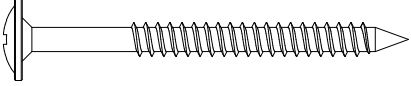
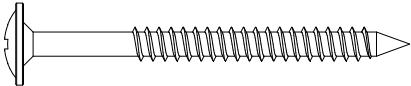
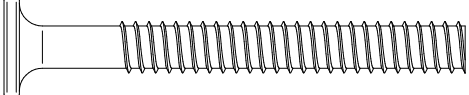
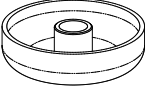

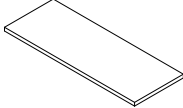
11.1 FIX CENTRAL BACK PANELS #11 AND #12 TO CENTRAL BACK PANEL #09, USING (06) SCREWS (G), A PHILLIPS HEAD SCREWDRIVER (NOT PROVIDED) AND THE PRE-DRILLED HOLES AS GUIDES, AS PER DRAWING BELOW.



HARDWARE PACKAGE COUNT (TABLE)

OPEN HARDWARE PACKAGE ON A FLAT SURFACE COVERED WITH NEWSPAPER. COUNT EACH PIECE OF HARDWARE TO MATCH THE QUANTITY NUMBER IN THE HARDWARE IDENTIFICATION COLUMN. CALL CUSTOMER SERVICE IF ANY PARTS ARE MISSING. FOLLOW THE LETTER IDENTIFICATION WHEN READING THE ASSEMBLY DRAWING "C" THROUGH "L".

HARDWARE IDENTIFICATION

C		10 x 50mm	WOOD DOWEL 2" LONG	12
F		4,5 x 40mm	SCREW 1 3/5" LONG	03
G		4,5 x 35mm	SCREW 1 3/8" LONG	08
H		7 x 60mm	SCREW 2 3/8" LONG	04
J		Ø15	SCREW TAP	04
K			ALLEN WRENCH	01
L			ADHESIVE FELT	04

IMPORTANT:

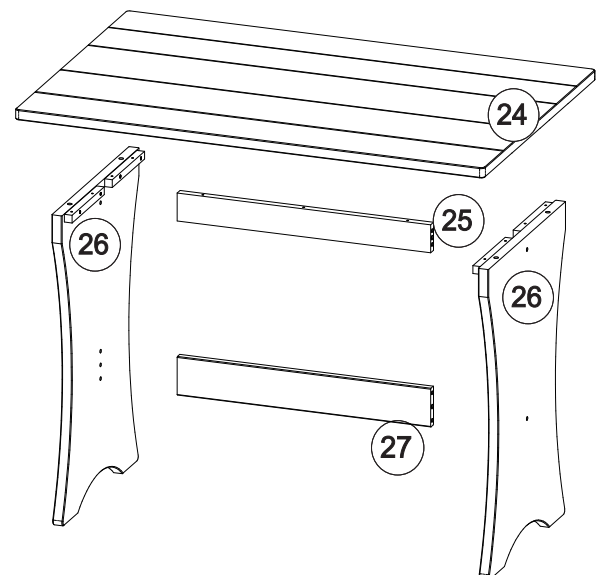
PLEASE USE ALL THE HARDWARE MENTIONED ABOVE.
THEY WILL ENSURE THE ITEM STABILITY AND SAFETY.

TOOLS REQUIRED

AN ALLEN WRENCH (K) (PROVIDED) AND A STANDARD PHILLIPS HEAD SCREWDRIVER (NOT PROVIDED) ARE REQUIRED TO ASSEMBLE THIS TABLE. USE A PLASTIC HEAD Mallet TO TAP IN WOODEN DOWELS. NOTE: A PIECE OF WOOD CAN ALSO BE USED TO KNOCK IN WOODEN DOWELS. BEFORE YOU BEGIN ASSEMBLY, SELECT AN OPEN SPACE, PREFERABLY ON A CARPET AREA. IF ASSEMBLING ON A HARD SURFACE, OR ON A WOODEN FLOOR, USE A BLANKET TO PREVENT SCRATCHING THE FURNITURE AS WELL AS THE WOODEN FLOOR.

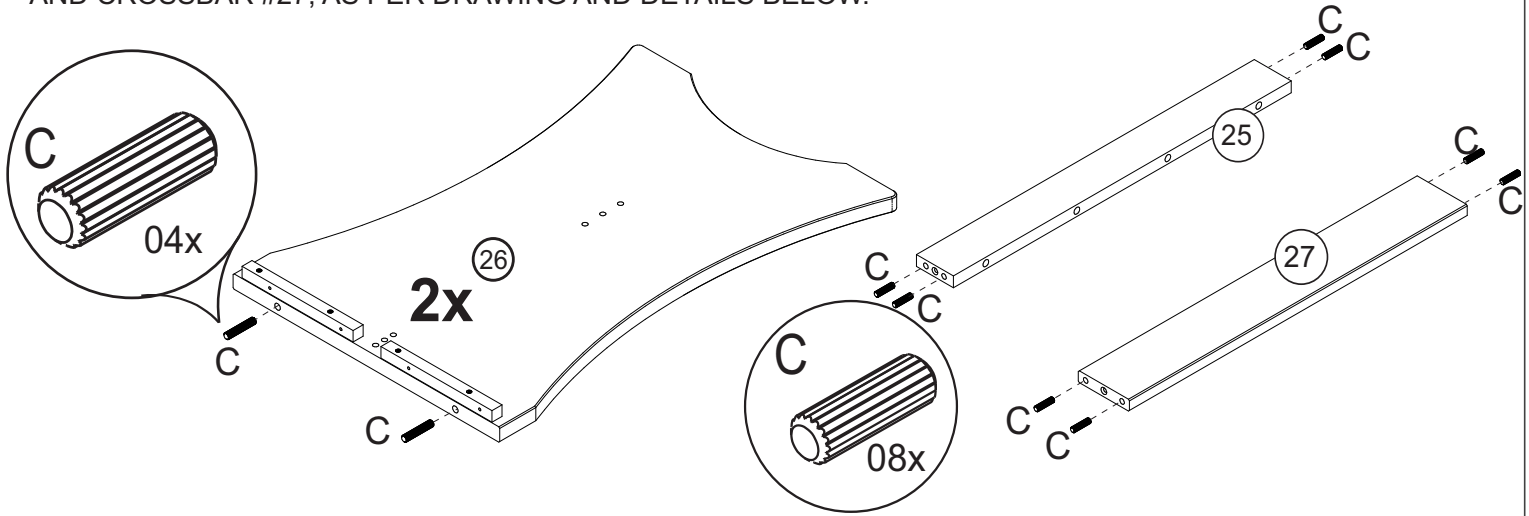
PARTS IDENTIFICATION

- 24 - TABLE TOP
- 25 - TABLE TOP SUPPORT
- 26 - LEGS (X2)
- 27 - CROSSBAR



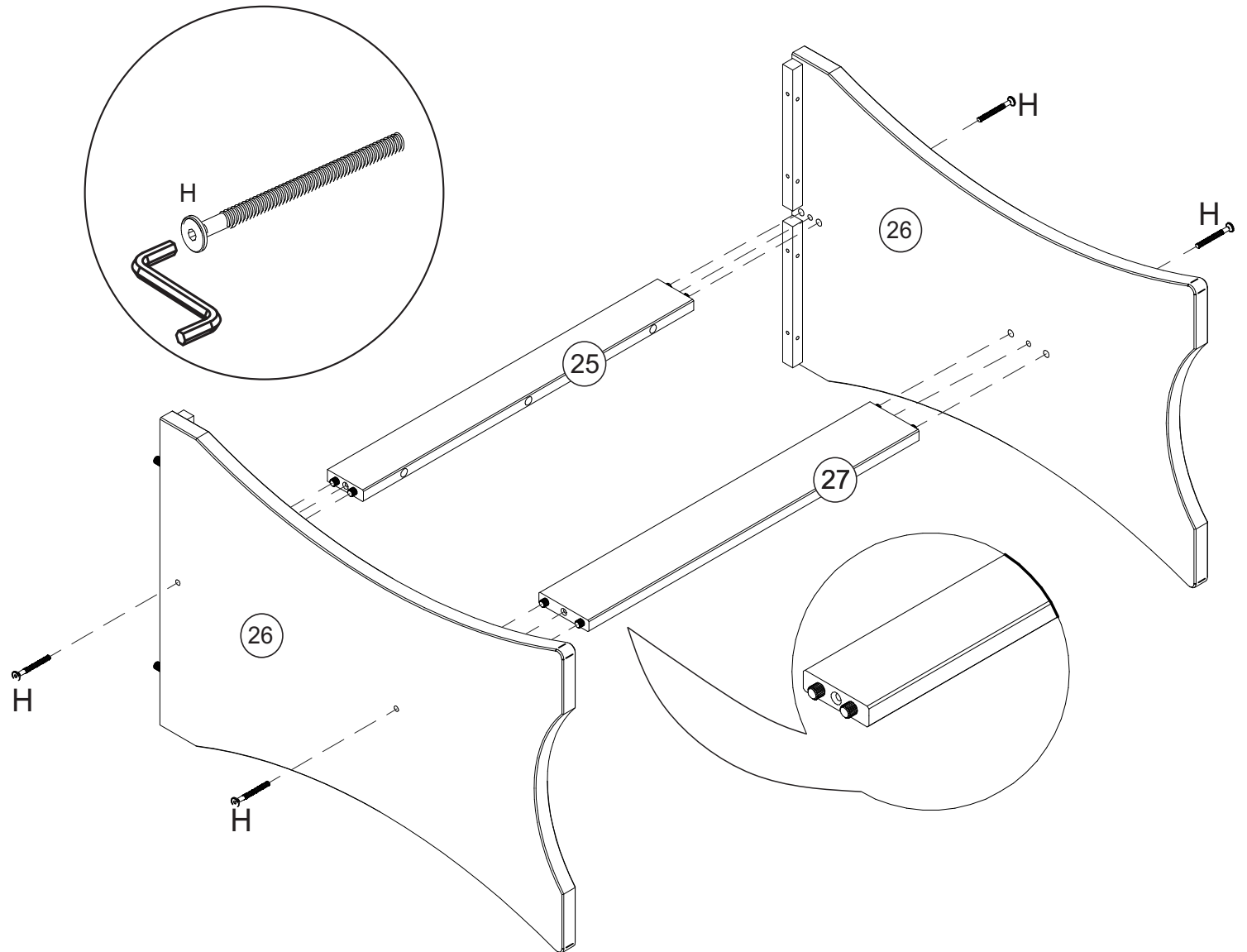
STEP 1)

1.1 INSERT (12) WOODEN DOWELS (C) IN TO THE LEGS #26 (2X), TABLE TOP SUPPORT #25 AND CROSSBAR #27, AS PER DRAWING AND DETAILS BELOW.

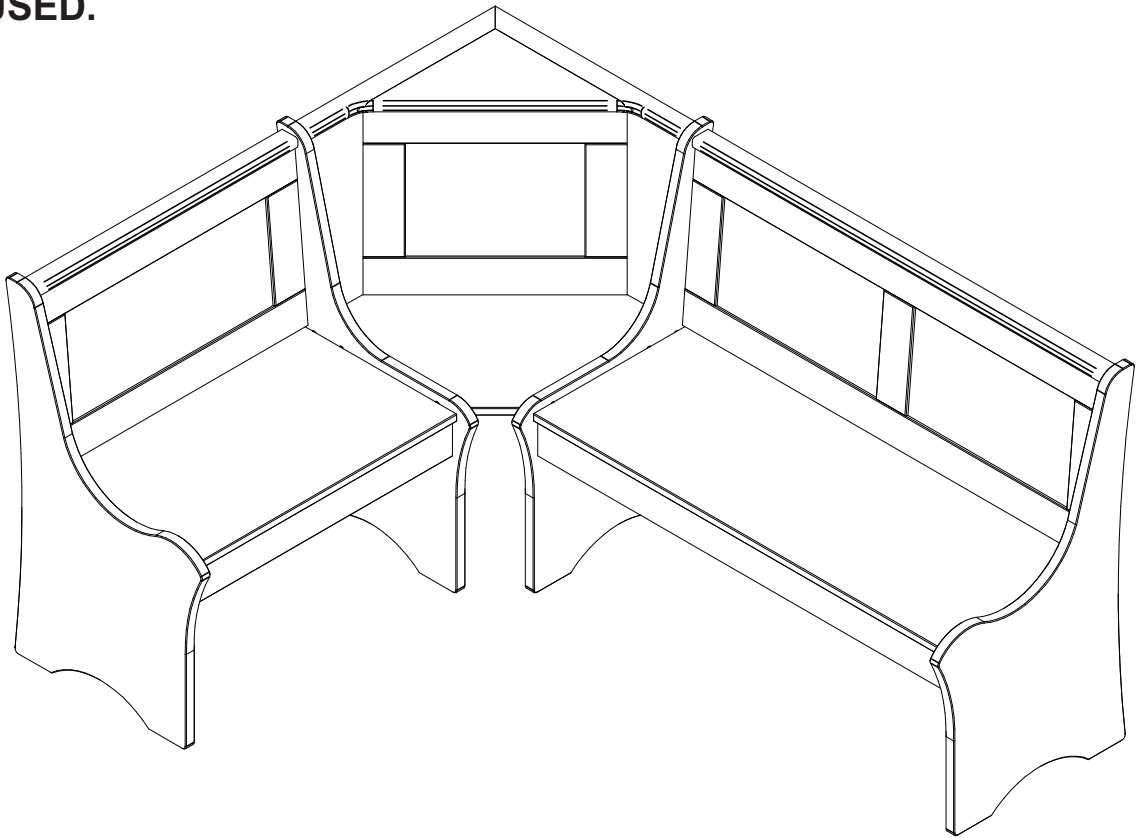


STEP 2)

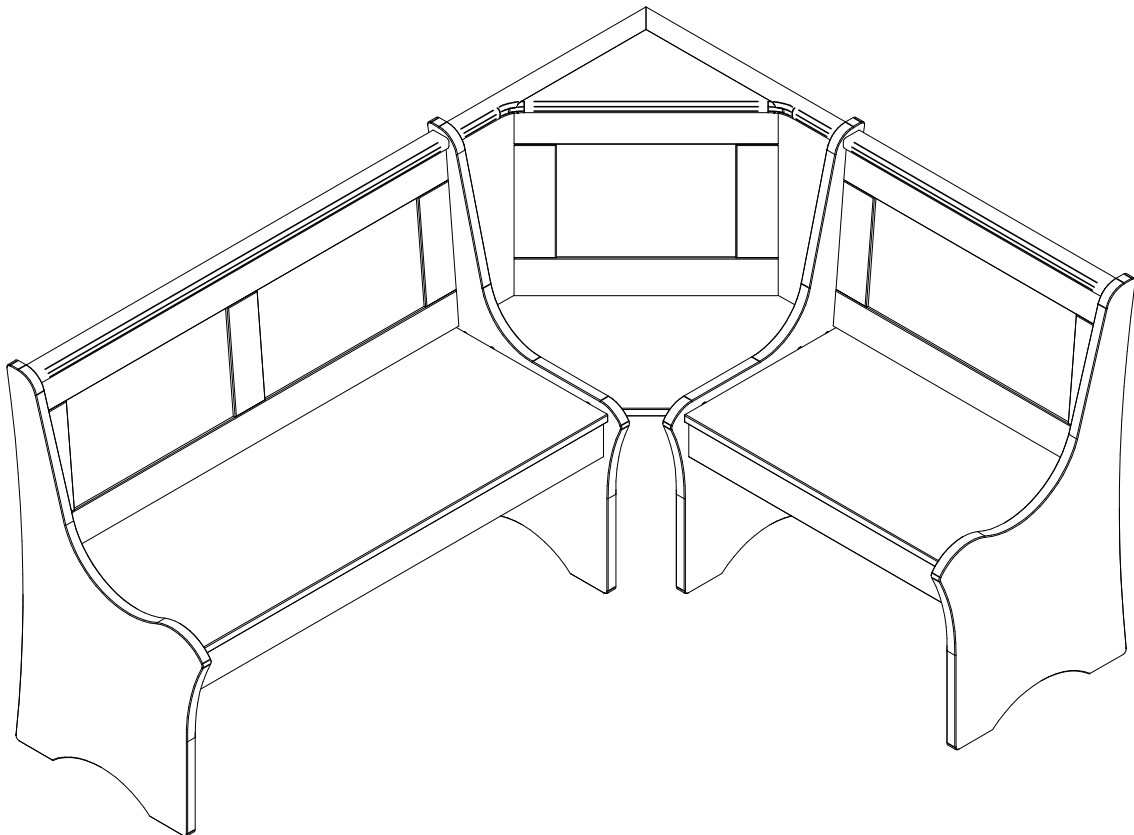
2.1 ASSEMBLE THE TABLE BASE FIXING THE TABLE TOP SUPPORT #25 AND CROSSBAR #27 TO BOTH LEGS #26, USING (04) SCREWS (H), AN ALLEN WRENCH (K) (PROVIDED), THE WOODEN DOWELS ALREADY INSERTED AND THE PRE-DRILLED HOLES AS GUIDE, AS PER DRAWING.



USING HELP, PLACE THE CORNER BENCH IN ITS FINAL POSITION IN WHICH IT WILL BE USED.



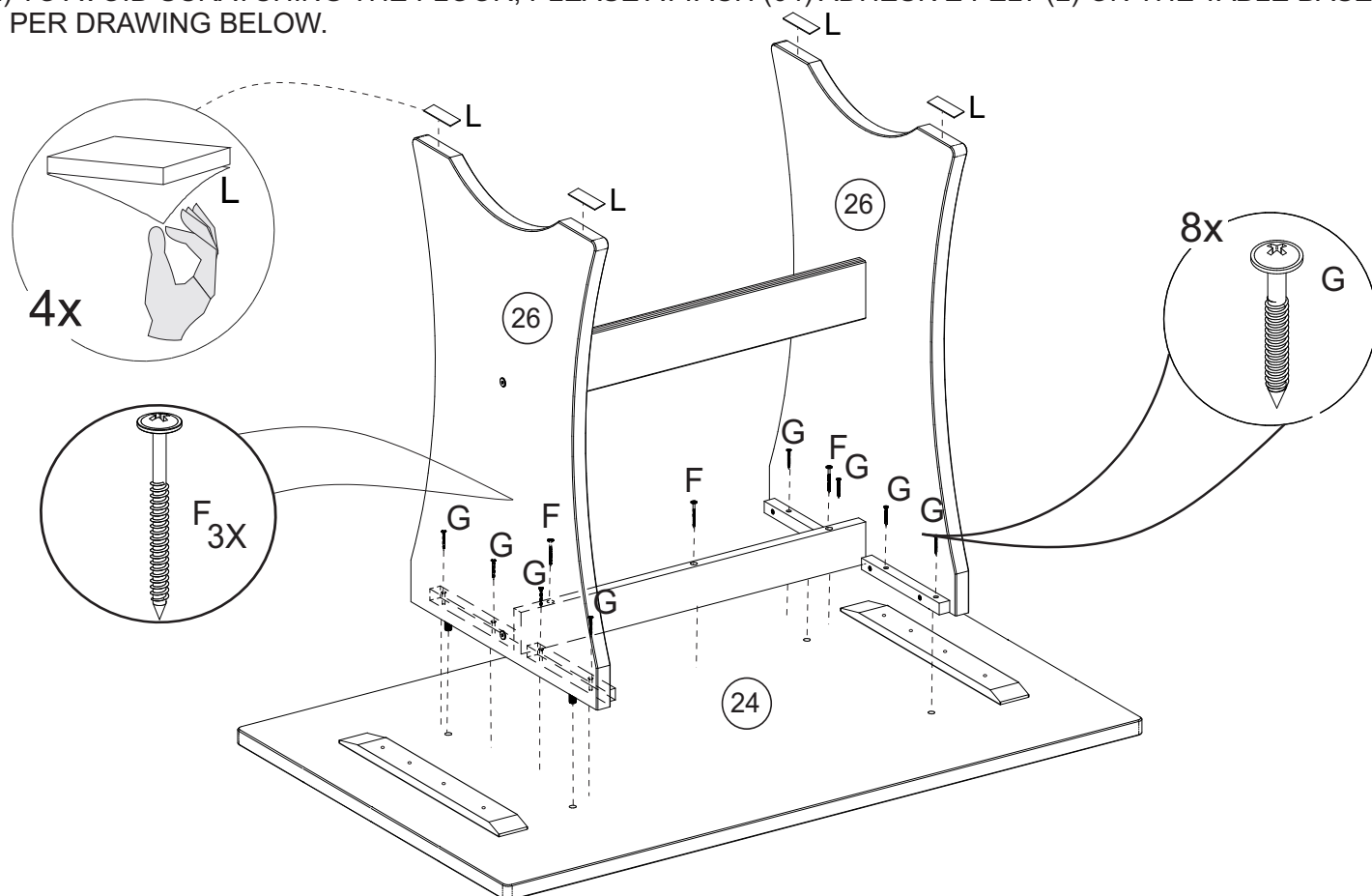
PERIODICALLY CHECK ALL CONNECTIONS FOR TIGHTNESS



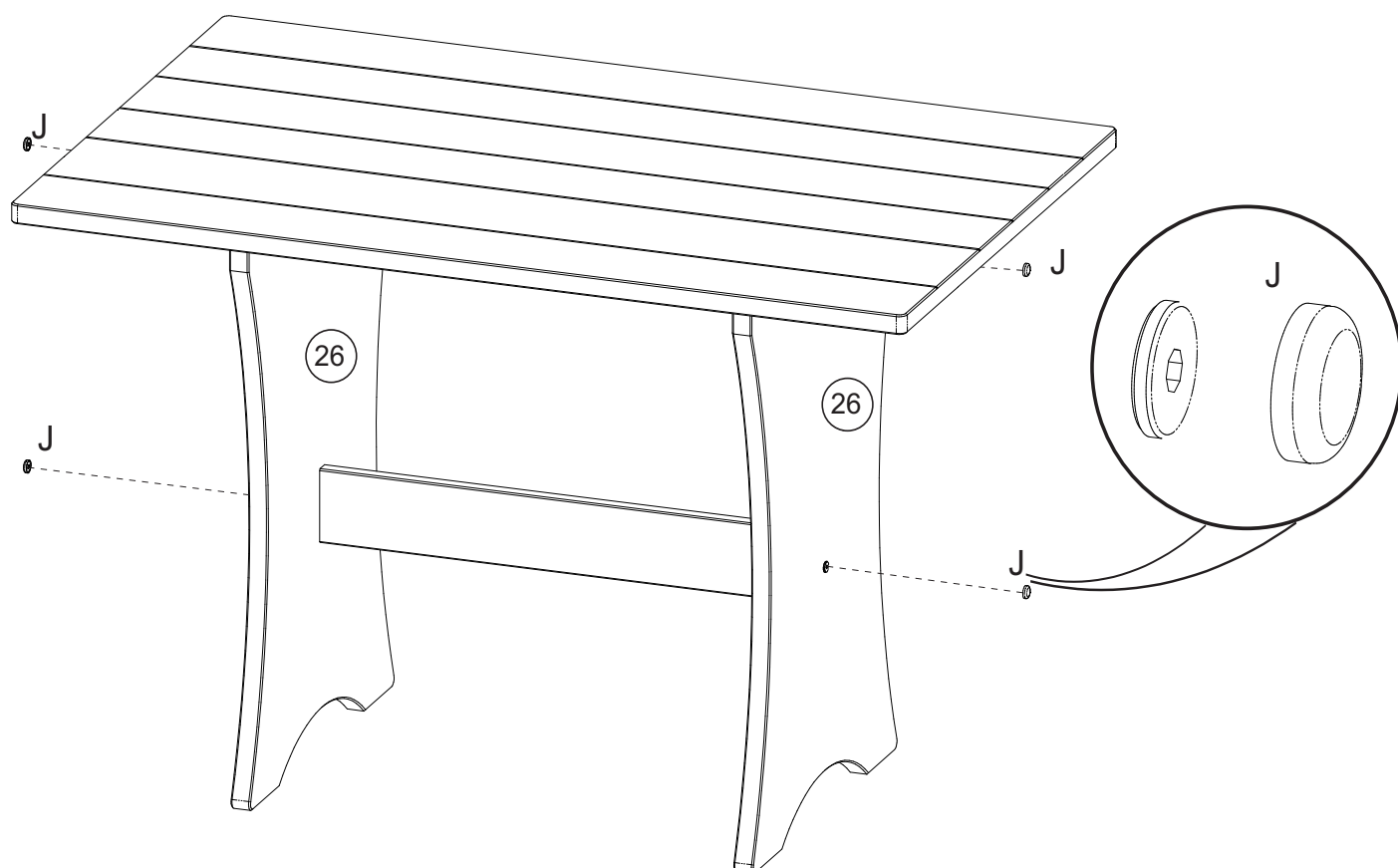
STEP 3)

3.1 FIX THE BASE OF THE TABLE TO TABLE TOP #24 USING (03) SCREWS (F), (8) SCREWS (G), AND A PHILLIPS HEAD SCREWDRIVER (NOT PROVIDED), AS PER DRAWING BELOW:

3.2) TO AVOID SCRATCHING THE FLOOR, PLEASE ATTACH (04) ADHESIVE FELT (L) ON THE TABLE BASE, AS PER DRAWING BELOW.

**STEP 4)**

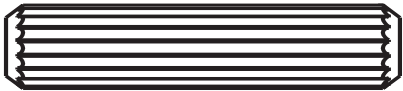
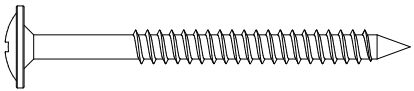
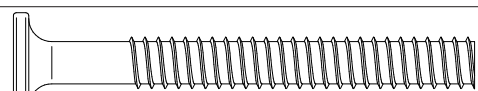
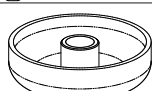

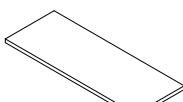
4.1 USE (04) SCREW CAPS (J) TO COVER THE HEAD OF THE SCREWS (H), AS PER DRAWING BELOW.



HARDWARE PACKAGE COUNT(SIMPLE BENCH)

OPEN HARDWARE PACKAGE ON A FLAT SURFACE COVERED WITH NEWSPAPER. COUNT EACH PIECE OF HARDWARE TO MATCH THE QUANTITY NUMBER IN THE HARDWARE IDENTIFICATION COLUMN. CALL CUSTOMER SERVICE IF ANY PARTS ARE MISSING. FOLLOW THE LETTER IDENTIFICATION WHEN READING THE ASSEMBLY DRAWING "C" THROUGH "L".

HARDWARE IDENTIFICATION

C		10 x 50mm	WOOD DOWEL 5 1/64"	08
G		4,5 x 35mm	SCREW 1 3/8" LONG	08
H		7 x 60mm	SCREW 2 3/8" LONG	02
J		Ø15	SCREW TAP	02
K			ALLEN WRENCH	01
L			ADHESIVE FELT	04

IMPORTANT:

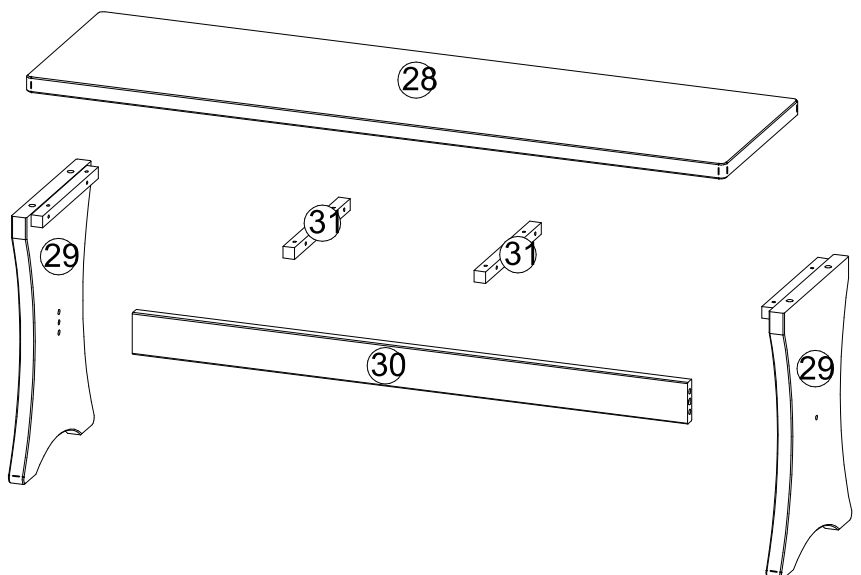
PLEASE USE ALL THE HARDWARE MENTIONED ABOVE. THEY WILL ASSURE TO THE ITEM STABILITY AND SAFETY.

TOOLS REQUIRED

AN ALLEN WRENCH (K) (PROVIDED) AND A STANDARD PHILLIPS HEAD SCREWDRIVER (NOT PROVIDED) ARE REQUIRED TO ASSEMBLE THIS TABLE. USE A PLASTIC HEAD Mallet TO TAP IN THE WOODEN DOWELS. NOTE: A PIECE OF WOOD CAN ALSO BE USED TO KNOCK IN WOODEN DOWELS. BEFORE YOU BEGIN ASSEMBLY, SELECT AN OPEN SPACE, PREFERABLY ON A CARPET AREA. IF ASSEMBLING ON A HARD SURFACE, OR ON A WOODEN FLOOR, USE A BLANKET TO PREVENT SCRATCHING FURNITURE AS WELL AS THE WOODEN FLOOR.

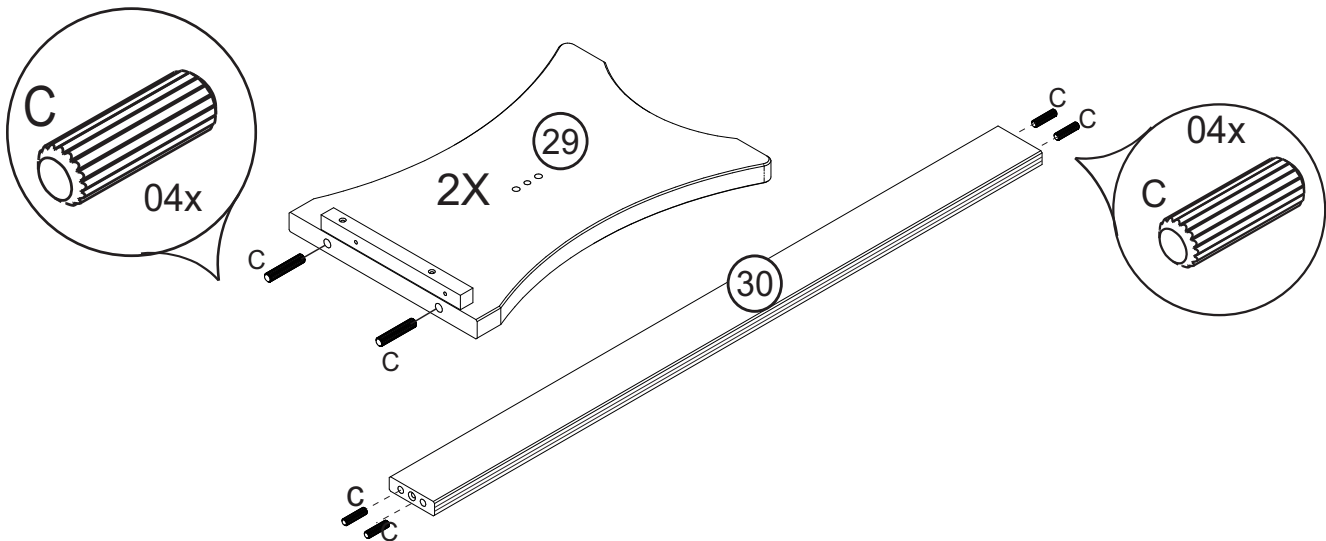
PARTS IDENTIFICATION

- 28 - SEAT
- 29 - LEGS (X2)
- 30 - CROSSBAR
- 31 - CLEAT (X2)



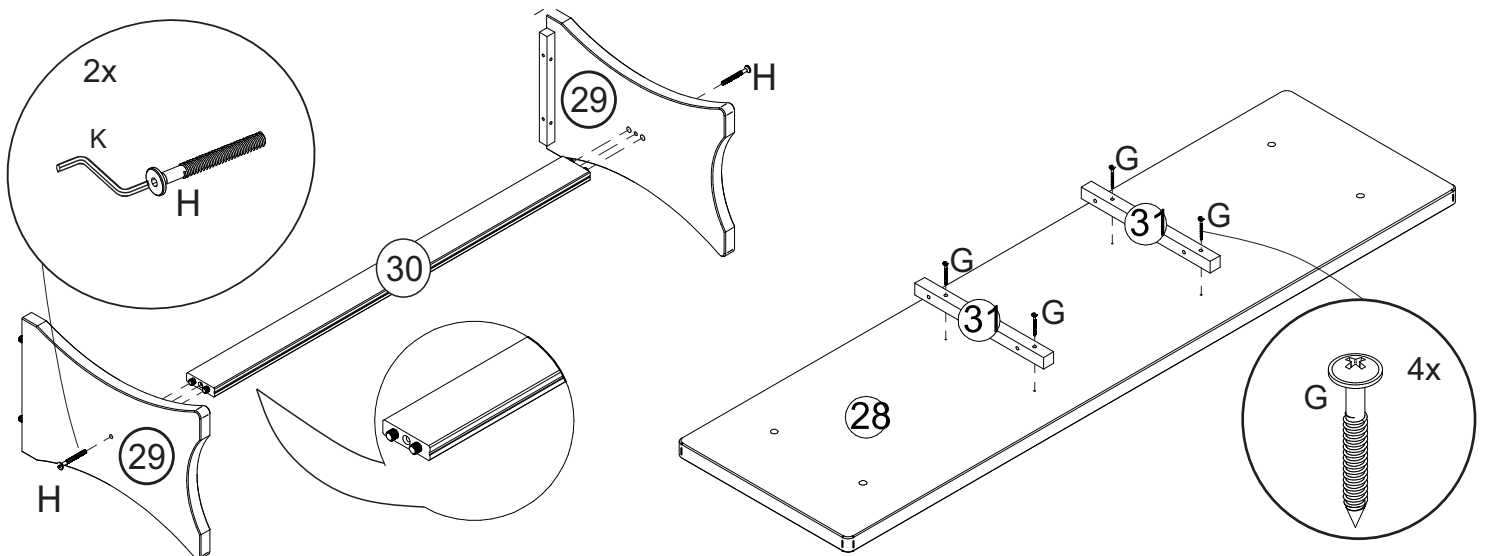
STEP 1)

1.1 INSERT (08) WOODEN DOWELS (C) TO LEGS #29 (2X) AND CROSSBAR # 30, AS PER DRAWING AND DETAILS BELOW.

**STEP 2)**

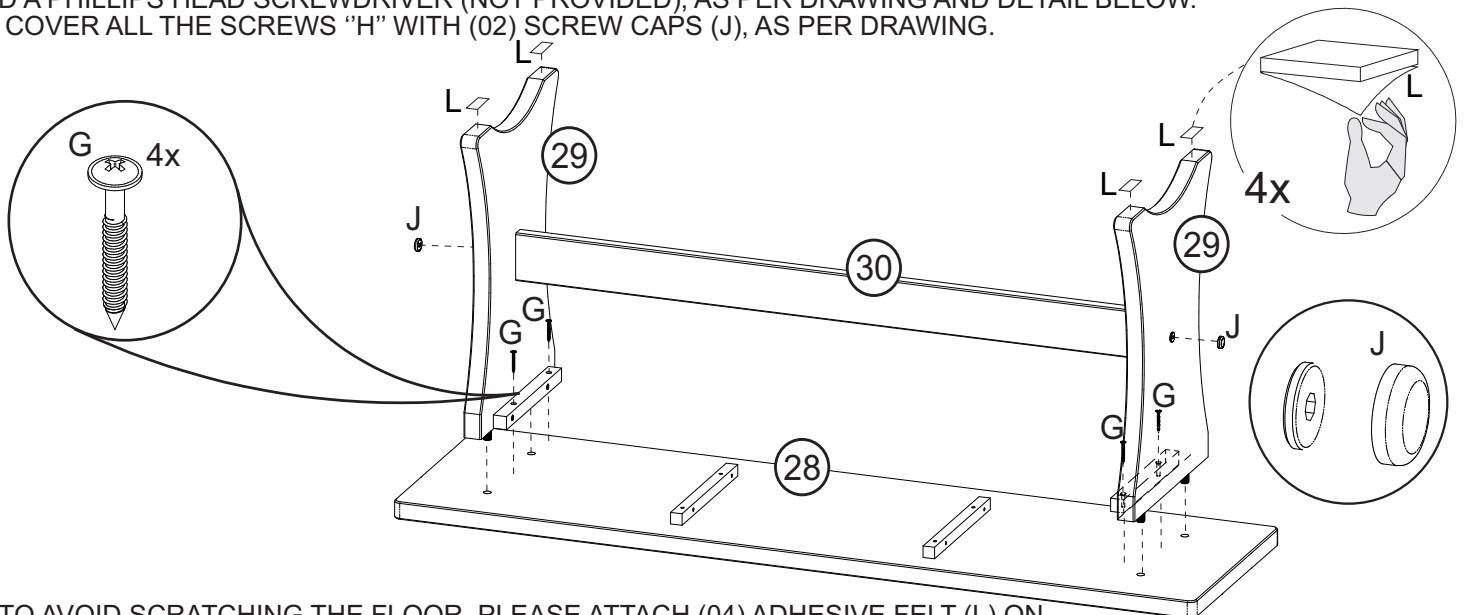
2.1 TO ASSEMBLE THE BENCH BASE, FIX BOTH LEGS #29 TO CROSSBAR #30, USING (02) SCREWS (H), AN ALLEN WRENCH (K) (PROVIDED), THE WOODEN DOWELS ALREADY INSERTED AND THE PRE-DRILLED HOLES AS GUIDE, AS PER DRAWING.

2.2 FIX THE CLEATS #31 (2X) UNDER THE SEAT #28, USING (04) SCREWS (G), A PHILLIPS HEAD SCREWDRIVER (NOT PROVIDED) AND THE PRE-DRILLED HOLES AS GUIDE, AS PER DRAWING BELOW.

**STEP 3)**

3.1 FIX THE SEAT BASE TO SEAT # 28, USING THE WOODEN DOWELS ALREADY INSERTED, (04) SCREWS (G) AND A PHILLIPS HEAD SCREWDRIVER (NOT PROVIDED), AS PER DRAWING AND DETAIL BELOW.

3.2 COVER ALL THE SCREWS "H" WITH (02) SCREW CAPS (J), AS PER DRAWING.



3.3) TO AVOID SCRATCHING THE FLOOR, PLEASE ATTACH (04) ADHESIVE FELT (L) ON THE BENCH BASE, AS PER DRAWING BELOW.

LIMITED 6 MONTHS WARRANTY

GARANTIE LIMITÉE DE 6 MOIS

GARANTÍA LIMITADA DE 6 MESES

WHAT IS COVERED

This product is covered under our manufacturer's 6 months limited warranty (Linon Home Décor Products). To ensure your complete satisfaction, this warrants to the original purchaser that the Linon supplied item is free from defects in material and workmanship, as of the date of purchase, and that it will, under normal use and proper care, remain so for six months after the date of purchase.

Replacement of missing or initially defective parts will be sent, at no charge, for a period of 30 days from the date of purchase with valid proof of purchase providing the parts are available in our warehouse and the item purchased is part of our current inventory.

WHAT IS NOT COVERED

It remains the customer's responsibility for freight and packaging charges to and from the customer service center. Labor and material charges to remove or replace parts under this warranty are not covered.

This warranty does not cover: Furniture used for commercial purposes, failures caused by improper installation assembly or by improper care, unreasonable or abusive use, freeze damage, acts of God, rust, purchased parts or return freight and packaging charges. Proof of purchase (dated register receipt) is required for warranty claims.

HOW TO OBTAIN SERVICE

For further information, please contact our customer service department, c/o Linon Home Décor Products, Inc., between 9:00 AM and 5:00 PM Eastern Standard Time, Monday through Friday:

CUSTOMER SERVICE DEPARTMENT:

- 1) Email address:
consumersupport@linon.com
- 2) Toll free number:
1 - 800 - 262 - 1852

CARE INSTRUCTIONS

- Care and cleaning should be done with a soft cloth and water.
- Do not use abrasive products and steel wool
- Do not expose the furniture to bad weather or excessive heat.

QU'EST-CE QUI EST COUVERT

Ce produit est couvert sous une garantie limitée de 6 mois offerte par le fabricant. Afin d'assurer votre entière satisfaction, cela garantit à l'acheteur original que le produit fourni est exempt de défauts de matériaux et de fabrication à compter de la date d'achat, et ce, sous des conditions d'utilisation normales et de soins adéquats, valide pendant six mois après la date d'achat.

Le remplacement de pièces manquantes ou défectueuses dès le départ sera envoyé, sans frais, pour une période de 30 jours suivant la date d'achat avec une preuve d'achat valide pourvu que les pièces soient disponibles dans notre entrepôt et que l'article acheté fait partie de notre inventaire actuel.

QU'EST-CE QUI N'EST PAS COUVERT

Il y va de la responsabilité du client de couvrir les frais de transport et d'emballage vers et à partir du centre de service après-vente. Les frais de la main-d'œuvre et des matériaux pour retirer les pièces ou les remplacer sous cette garantie ne sont pas couverts.

Cette garantie ne couvre pas : les meubles utilisés à des fins commerciales, les défaillances causées par un mauvais assemblage ou entretien (sans dépasser les limites de poids), l'utilisation déraisonnable ou abusive, les dommages causés par le gel, la rouille, les frais de transport et d'emballage pour des pièces achetées ou retournées. Une preuve d'achat (reçu de caisse daté) est requise pour les réclamations sous garantie.

COMMENT FAIRE POUR OBTENIR DU SERVICE

Pour de plus amples renseignements, veuillez communiquer avec notre département du service à la clientèle, entre 9 h et 17 h HNE, du lundi au vendredi.

CENTRE DE SERVICE À LA CLIENTÈLE

- 1) Adresse de courriel :
consumersupport@linon.com
- 2) Numéro de téléphone sans frais:
1 - 800 - 262 - 1852

SOINS

- Les soins et le nettoyage doivent être faits avec un chiffon doux et de l'eau.
- Ne pas utiliser de produits abrasifs et de laine d'acier.
- Ne pas exposer les meubles aux intempéries ou à la chaleur excessive.

QUÉ ESTÁ CUBIERTO

Este producto está cubierto por la garantía limitada de 6 meses de nuestro fabricante. Para asegurar su total satisfacción, ésta garantiza al comprador original que el artículo proporcionado se encuentra libre de defectos materiales y de fabricación, a partir de la fecha de compra, y que permanecerá en tal estado, sometido a un uso normal y cuidados adecuados, durante los seis meses posteriores a la fecha de la compra.

Las partes faltantes o que presenten defectos al inicio de ese período de tiempo serán enviadas sin cargo, durante un lapso de 30 días a partir de la fecha de compra, mediante la presentación de un comprobante de compra válido, siempre que las partes estén disponibles en nuestro almacén y el artículo adquirido sea parte de nuestro inventario actual.

QUÉ NO ESTÁ CUBIERTO

El cliente asumirá los costos de flete y empaque hacia y desde el centro de servicio de cliente. Los cargos de material y mano de obra para extraer o reemplazar partes en el marco de la garantía no están cubiertos.

Esta garantía no cubre: muebles utilizados con fines comerciales, fallas causadas por montaje de instalación inadecuados o uso indebido (se recomienda no exceder los límites de peso), uso no razonable o abusivo, daños por congelación, oxidación, partes compradas, flete de devolución y cargos de empaque. Se exigirá el comprobante de compra (la factura de registro con fecha) para hacer valer la garantía.

CÓMO OBTENER SERVICIO

Si desea más información, póngase en contacto con nuestro departamento de servicio al cliente, de lunes a viernes entre las 9:00 a.m. y las 5:00 p.m., hora estándar de los Estados Unidos.

DEPARTAMENTO DE SERVICIO AL CLIENTE

- 1) Correo electrónico:
consumersupport@linon.com
- 2) Número telefónico gratuito:
1 - 800 - 262 - 1852

CUIDADOS

- La conservación y limpieza debe ser hecha con un trapo levemente humedecido en agua.
- No use productos abrasivos y esponja de acero.
- No exponer el mueble a intemperies ni al calor excesivo.

#903805BLKAB

MADE IN BRAZIL
FABRIQUÉ AU BRÉSIL
HECHO EN BRASIL

Br7 - 50156