

239 MS ROUND




Round, Vitreous China, Self-Rimming Lavatory

FEATURES

- 19-1/4" x 19-5/8" round, self-rimming lavatory
- 15-1/4" x 12-3/8" basin
- Complies with ADA requirements for accessibility
- Concealed front overflow
- Available with single hole, 4" or 8" faucet centers
- Mansfield® limited lifetime warranty
- Available in White, Biscuit and Bone



COMPONENTS


MODEL #	DESCRIPTION	CODES/STANDARDS
239-1	Round, self-rimming lavatory with single hole faucet center. Less faucet, drain assembly and supply. Specify color.	 ADA COMPLIANT
239-4	Same as above with 4" faucet centers. Specify color.	
239-8	Same as above with 8" faucet centers. Specify color.	

239 MS ROUND



Round, Vitreous China, Self-Rimming Lavatory

SPECIFICATIONS

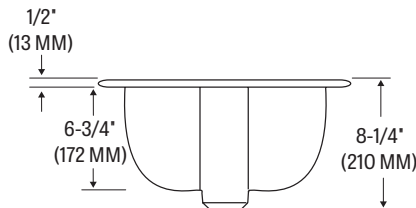
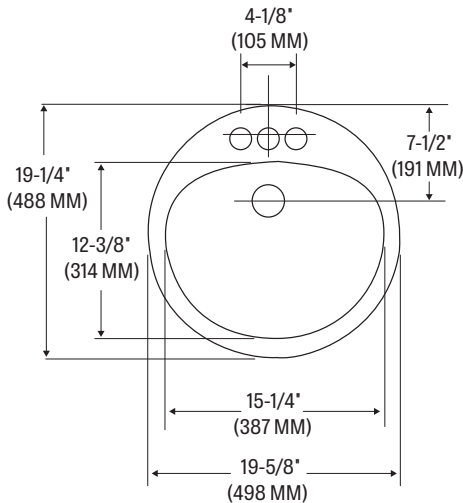
MODEL #	DESCRIPTION	CODES/STANDARDS
239-1	Round, self-rimming lavatory with single hole faucet center	 ADA COMPLIANT
239-4	Same as above with 4" faucet centers	
239-8	Same as above with 8" faucet centers	

MATERIAL	Vitreous China
WARRANTY	Vitreous China - Limited Lifetime

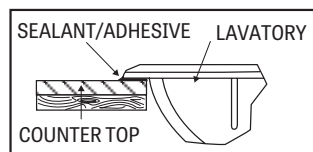
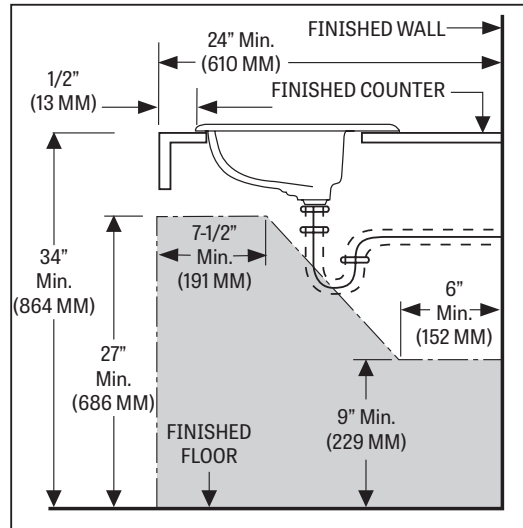
SHIPPING WEIGHT	21.6 lbs. (10 kg)
FAUCET HOLES	Single hole, 4" or 8"

TECHNICAL INFORMATION

Note: these dimensions are nominal and subject to change without notice.



MODEL 239 ADA INSTALLATION



Fixture performance and specifications meet or exceed ASME A112.19.2-2013/CSA B45.1-13 standards, and other state and local codes.