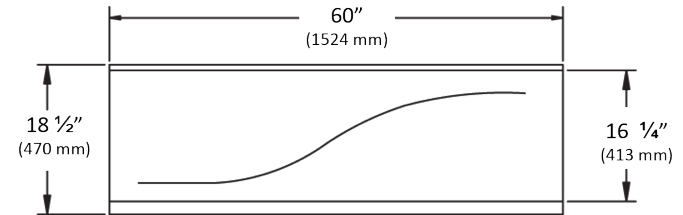
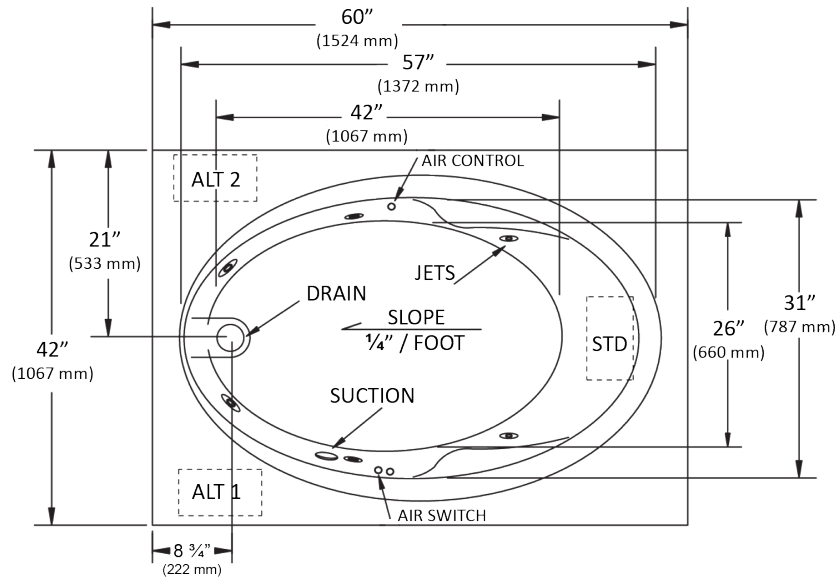


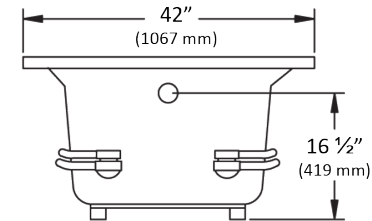
PRO-FIT® WHIRLPOOL & BATHTUB

4260 60" x 42" x 20 1/4"

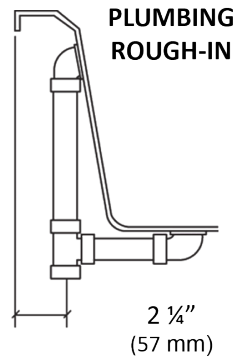
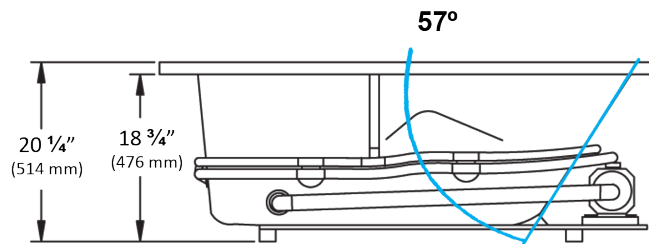
Model number: 6024/6524



OPTIONAL REMOVABLE APRON



CENTER OVERFLOW



PLUMBING ROUGH-IN

NOTES:

1. Pump locations shown for clarity. Specify when ordering STD - Standard or ALT1 - Alternate 1 or ALT2 - Alternate 2.
2. Required pump motor access is 20" W x 15" H.
3. Measurements may vary 1/4" (+/-)
4. If a factory installed nailing flange is added to a unit, add 1/8" to each side flanged.
5. Optional Removable Apron is available for this unit.
6. These dimensions are nominal and subject to change without notice.

SPECIFICATIONS:

Dimensions:	60" x 42" x 20 1/4"	Number of jets:	6
Material:	Acrylic, fiberglass reinforced	Weight:	120 lbs.
Pump Motor:	120 V, 60 HZ, 6.0 Amp, Single Speed, Premounted	Water Capacity:	55 gals max., 42 gals min.
Electrical Requirements:	120 V, 15 Amp, GFCI Protected	Floor Loading:	47 lbs./sq.ft. (229 kg/m ²)
On/Off Control:	Air Switch	Shipping Weight:	148 lbs. / 128 lbs.