

ITEM NO. 3637699 / MODEL NO. 5384LTCTK

**SUMMIT®****MANSFIELD®**

Elongated Front, SmartHeight™, Lined Tank, Vitreous China, Two-Piece Toilet, Complete Toilet Kit

**FEATURES**

- Complete toilet kit (CTK)
- 1.28 gpf / 4.8 lpf high efficiency water consumption
- MagnaFlush™ high performance flushing technology
- Lined tank for reduced condensation
- PuraClean® easy-to-clean glazed surface
- Elongated front, SmartHeight™ bowl
- 3" Rigid Flapper flush valve – requires less force to flush, is more consistent and uses a simple universal repair part/seal
- Fluidmaster® pilot operated anti-siphon fill valve
- 12" rough-in
- SmartFasten™ 3-bolt tank-to-bowl connection
- Model 57 chrome-plated, metal trip lever
- 2" glazed trapway
- The Mansfield® limited lifetime warranty on china, Five-year limited warranty on tank trim
- Available in White

**MODEL 5384LTCTK**

Toilet seat included

Complete Toilet Kit



CTK



ELONGATED



SMARTHEIGHT ADA

**COMPONENTS**

MODEL #	DESCRIPTION	CODES/STANDARDS
<b>5384LTCTK</b>	Elongated front, SmartHeight™ complete two-piece toilet kit. Includes: slow close toilet seat, tank and bowl, floor bolts, wax ring, caps and multi-lingual installation instructions. Water supply not included.	
<b>384</b>	Elongated front, SmartHeight™ toilet bowl only.	
<b>387LT</b>	Tank and lid only. With left hand, front-mount, chrome-plated metal trip lever. Tank liner.	
<b>3800</b>	Elongated, slow close toilet seat	

**TANK TRIM & REPLACEMENT PARTS**

<b>57</b>	Trip Lever - chrome-plated metal trip lever, left hand
<b>400A</b>	Fluidmaster® anti-siphon pilot fill valve
<b>2206</b>	Anti-siphon pilot fill valve (compatible replacement)
<b>2036-1212</b>	Summit® 1.28 Rigid Flapper flush valve
<b>630-0030</b>	Replacement flush valve seal
<b>386-LID</b>	Tank lid

When properly installed, this product meets the requirements for the Americans with Disabilities Act of 1990 (ADA). Refer to local plumbing codes, as they may vary by location and application.







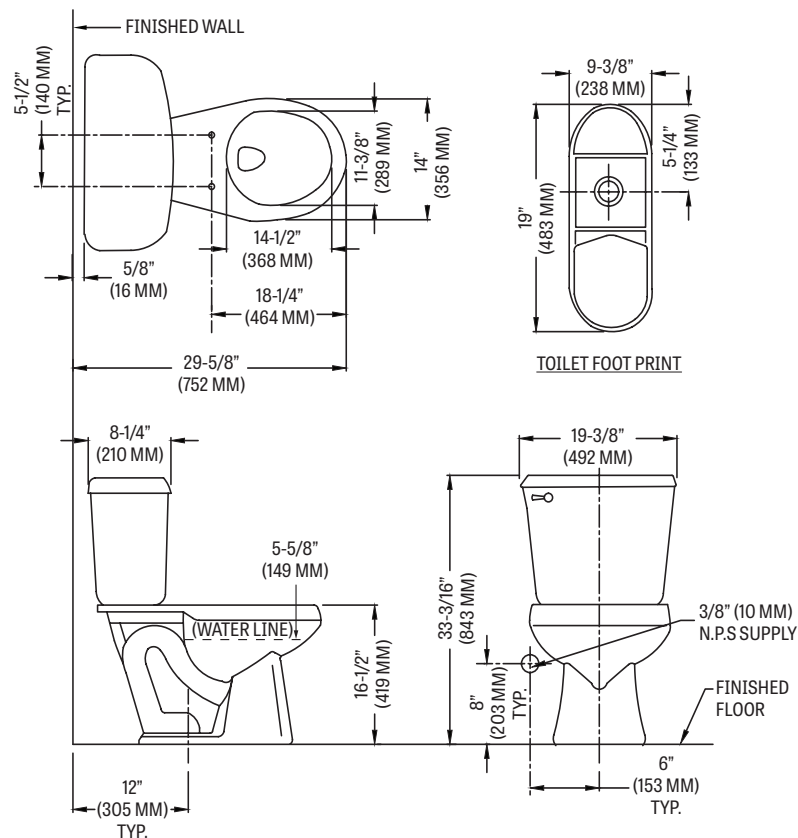
ITEM NO. 3637699 / MODEL NO. 5384LTCTK

**SUMMIT<sup>®</sup>****MANSFIELD<sup>®</sup>**

Elongated Front, SmartHeight™, Lined Tank, Vitreous China, Two-Piece Toilet, Complete Toilet Kit

**SPECIFICATIONS**

MODEL #	DESCRIPTION	CODES/STANDARDS
5384LTCTK	Elongated front, SmartHeight™ (1.28 gpf/4.8 lpf) two-piece toilet kit	   
<b>MATERIAL</b>	Vitreous China	
<b>WATER PRESSURE RANGE</b>	20 to 80 PSI	
<b>FLUSH SYSTEM</b>	3' MagnaFlush™ Flushing Technology	
<b>WATER USAGE</b>	1.28 gpf / 4.8 lpf	
<b>WATER SURFACE AREA</b>	9' X 10'	
<b>ROUGH-IN</b>	12'	
<b>MAP RATING</b>	1,000 grams	
<b>TRAP DIAMETER</b>	2'	
<b>TRAP SEAL</b>	2-1/4'	
<b>SHIPPING WEIGHT</b>	Model 5384LTCTK - 95 lbs. (43 kg)	
<b>WARRANTY</b>	Vitreous China - Limited Lifetime Tank Trim - Limited Five-Year	

**TECHNICAL INFORMATION****Note:** these dimensions are nominal and subject to change without notice.

Fixture performance and specifications meet or exceed ASME A112.19.2/CSA B45.1 standards, and other state and local codes.

