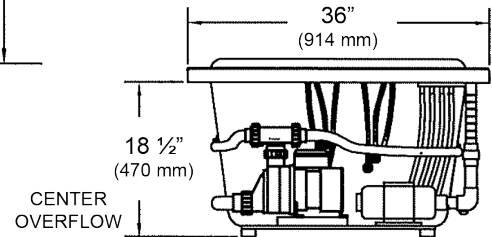
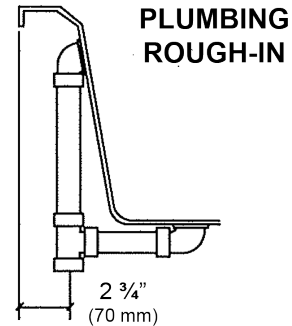
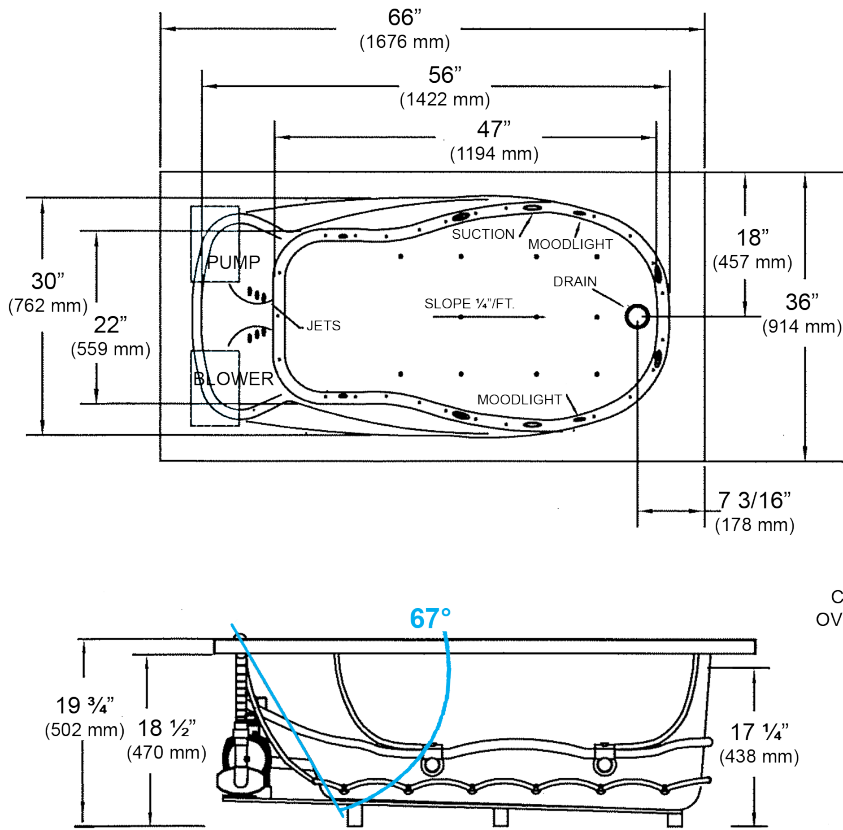


5428

**MANSFIELD®**

**Baywood 5.5™ 66" x 36" x 19 3/4"**

**Swirl-way® Combination Whirlpool and Air Massage Bath**



NOTES:

1. Pump and Blower locations are shown for clarity.
2. Required blower motor access is 20" W x 15" H.
3. Measurements may vary 1/4" (+/-)
4. If a factory installed nailing flange is added to a unit, add 1/8" to each side flanged.
5. Removable apron is optional for this unit.
6. These dimensions are nominal and subject to change without notice.

**SPECIFICATIONS**

Specification	Description	Specification	Description
<b>Material</b>	Acrylic, fiberglass reinforced	<b>Number of Jets</b>	WP - 12 Air - 30
<b>Construction</b>	Self-contained, pre-plumbed air bath system mounted on a pre-leveled base	<b>Water Capacity</b>	42 gal. (min) 62 gal. (max)
<b>Pump/Blower Motor</b>	Pump - 1.0 HP Single Speed - 120 V, 9.0 AMP Blower - 1.0 HP Variable Speed - 120 V, 9.0 AMP	<b>Floor Loading Weight</b>	47 lbs. / sq. ft (229 kg/m <sup>2</sup> )
<b>Electrical Requirements</b>	Three 120V, 20 AMP, GFCI Protected Circuits	<b>Shipping Weight</b>	170 lbs.
<b>On/Off Control</b>	Eight button electronic control, 20 minute time cycle; Blower - Auto purge cycle	<b>Warranty</b>	Limited Ten Year

