

147-123 QUANTUM®



Elongated Front, Vitreous China, Two-Piece Toilet

FEATURES

- High performance, pressure-assist Flushmate III™ system
- 1.6 gpf / 6.0 lpf low water consumption
- Elongated front bowl
- 12" rough-in
- Model 45 chrome-plated, metal trip lever
- 2" glazed trapway
- The Mansfield® Limited Lifetime Warranty
Flushmate five-year limited warranty on vessel
- Available in white




MODEL 147-123

Toilet seat not included



COMPONENTS


MODEL #	DESCRIPTION	CODES/STANDARDS
147-123	Elongated front, pressure-assist, two-piece toilet. Less toilet seat and supply.	
147	Elongated front, pressure-assist bowl only. Less toilet seat and supply.	
123	Pressure-assist tank and cover only with left hand chrome-plated, metal trip lever. Less supply.	
TANK OPTIONS		
123RH	Pressure-assist tank and cover only with right hand chrome-plated, metal trip lever. Less supply.	
TANK TRIM & REPLACEMENT PARTS		
45	Trip lever - chrome-plated, metal trip lever, left hand	
FLUSHMATE® 503	Pressure-assist flushing system. Separate warranty applies. Contact FLUSHMATE® at 1-800-533-3460.	

147-123 QUANTUM®



Elongated Front, Vitreous China, Two-Piece Toilet

SPECIFICATIONS

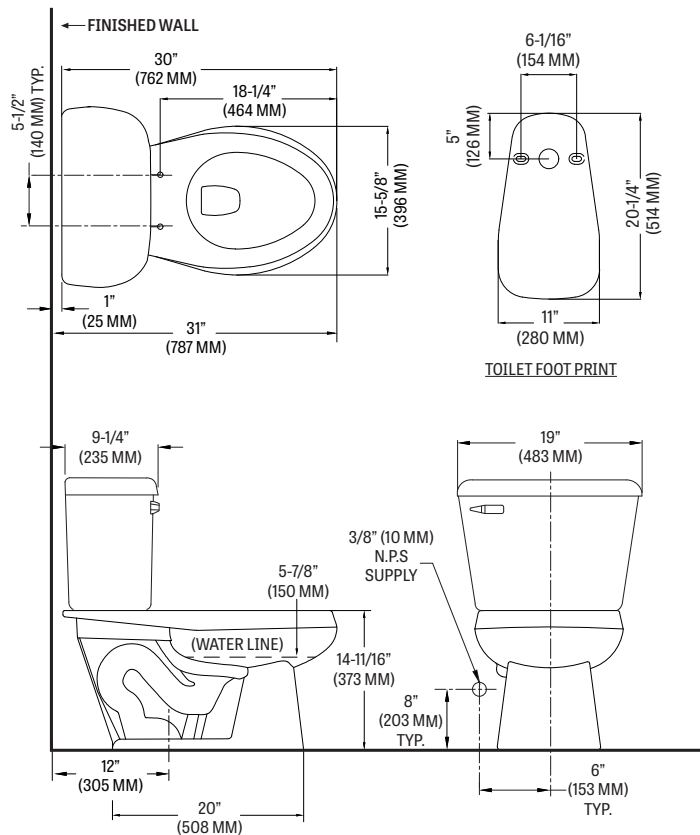
MODEL #	DESCRIPTION	CODES/STANDARDS
147-123	Elongated front (1.6 gpf/6.0 lpf) two-piece toilet	

MATERIAL	Vitreous China
WATER PRESSURE RANGE	35 to 80 PSI
FLUSH SYSTEM	Flushmate III™ flushing technology
WATER USAGE	1.6 gpf / 6.0 lpf
WATER SURFACE AREA	8-3/4" X 10-3/8"
ROUGH-IN	12"
MaP RATING	Pending

TRAP DIAMETER	2"
TRAP SEAL	2-1/4"
SHIPPING WEIGHT	Model 147 - 50 lbs. (22 kg) Model 123 - 43 lbs. (19.5 kg)
WARRANTY	Vitreous China - Limited Lifetime Vessel - Limited Five-Year (Flushmate)

TECHNICAL INFORMATION

Note: these dimensions are nominal and subject to change without notice.



Fixture performance and specifications meet or exceed ASME A112.19.2-2013/CSA B45.1-13 standards, and other state and local codes.