

# 4137LTCTK PRO-FIT<sup>®</sup> 3 - 1.28



Complete Toilet Kit, Elongated Front, SmartHeight<sup>™</sup> Vitreous China, Two-Piece Toilet

## FEATURES

- Complete toilet kit (CTK)
- 3-bolt SmartFasten<sup>™</sup> tank-to-bowl connection
- 1.28 gpf / 4.8 lpf high efficiency water consumption
- Uses 20% less water than conventional toilets
- Elongated front SmartHeight<sup>™</sup> bowl
- 3-2" hybrid flapper flush valve
- Fluidmaster<sup>®</sup> anti-siphon pilot fill valve
- 12" rough-in
- Lined tank for reduced condensation
- Model 31 color-match, plastic trip lever
- 2" glazed trapway
- The Mansfield<sup>®</sup> Limited Lifetime Warranty
- Available in White



**MODEL 4137LTCTK**

Toilet seat included

Complete toilet kit



ELONGATED



SMARHEIGHT ADA



CTK

## COMPONENTS




MODEL #	DESCRIPTION	CODES/STANDARDS
4137LTCTK	Elongated front, SmartHeight <sup>™</sup> two-piece toilet kit. Includes: toilet seat, wax ring, floor bolts, caps, and multi-lingual installation instructions. Water supply hardware not included.	HIGH EFFICIENCY TOILET UPC ADA COMPLIANT
137	Elongated front, SmartHeight <sup>™</sup> toilet bowl only. Less toilet seat.	
3174	Tank and cover only with left hand, front-mount, color-match, plastic trip lever. Fluidmaster <sup>®</sup> anti-siphon pilot fill valve and tank liner. Less supply.	
SB200	Elongated front, plastic toilet seat and cover.	
TANK TRIM & REPLACEMENT PARTS		
31	Trip lever - color-match, plastic trip lever, left hand	
228	3-2" Hybrid flapper flush valve	
400A	Fluidmaster <sup>®</sup> anti-siphon pilot fill valve	
2206	Anti-siphon pilot fill valve (compatible replacement)	
630-0207	3" Replacement flapper kit	
160-LID	Tank lid	

# 4137LTCTK PRO-FIT® 3 - 1.28



Complete Toilet Kit, Elongated Front, SmartHeight™ Vitreous China, Two-Piece Toilet

## SPECIFICATIONS

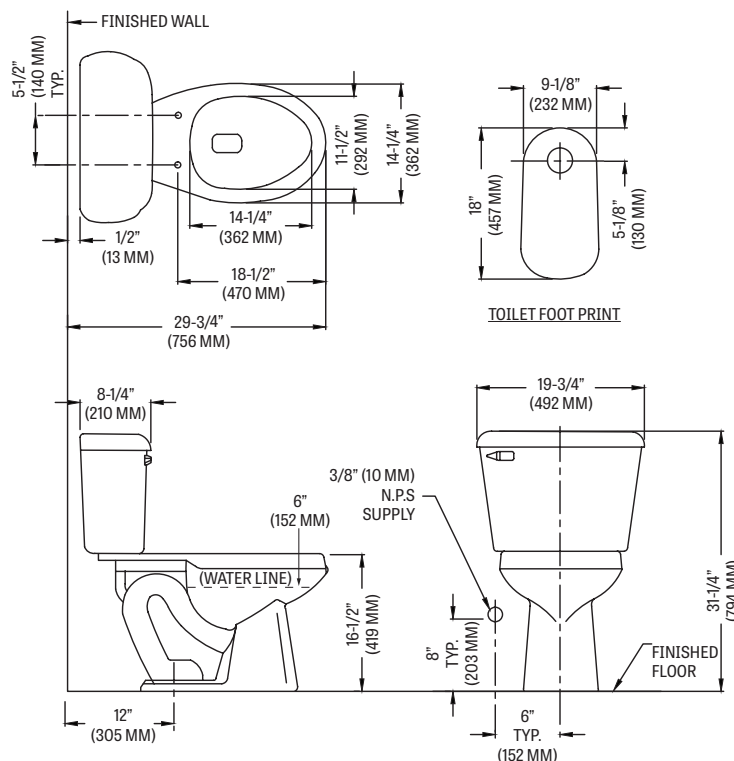
MODEL #	DESCRIPTION	CODES/STANDARDS
4137LTCTK	Elongated front, SmartHeight™ (1.28 gpf / 4.8 lpf) two-piece toilet kit	  

MATERIAL	Vitreous China
WATER PRESSURE RANGE	20 to 80 PSI
FLUSH SYSTEM	3-2" Hybrid flapper flush valve
WATER USAGE	1.28 gpf / 4.8 lpf
WATER SURFACE AREA	9" X 10"
ROUGH-IN	12"
MaP RATING	800 grams

TRAP DIAMETER	2"
TRAP SEAL	2-5/8"
SHIPPING WEIGHT	Model 4137LTCTK - 92 lbs. (42 kg)
WARRANTY	Vitreous China - Limited Lifetime Tank Trim - Limited One Year

## TECHNICAL INFORMATION

**Note:** these dimensions are nominal and subject to change without notice.



Fixture performance and specifications meet or exceed ASME A112.19.2/CSA B45.1 standards, and other state and local codes.