

349 MAVERICK

MANSFIELD®


Vitreous China, Pedestal Lavatory

FEATURES

- 23-7/8" x 21-9/16" pedestal lavatory
- 19-1/4" x 14-5/8" basin
- 33" luxury height
- Integral rear overflow
- Available in single-hole, 4" or 8" faucet centers
- Mansfield® limited lifetime warranty
- Available in White, Biscuit and Bone



COMPONENTS

MODEL #	DESCRIPTION	CODES/STANDARDS
349	Lavatory with pedestal. Less faucet, drain assembly and supply. Specify color.	
348-1	Lavatory with single hole faucet center. Less faucet, drain assembly and supply. Specify color.	
348-4	Same as above with 4" faucet centers. Specify color.	
348-8	Same as above with 8" faucet centers. Specify color.	
344	Pedestal only. Specify color.	

349 MAVERICK



Vitreous China, Pedestal Lavatory

SPECIFICATIONS

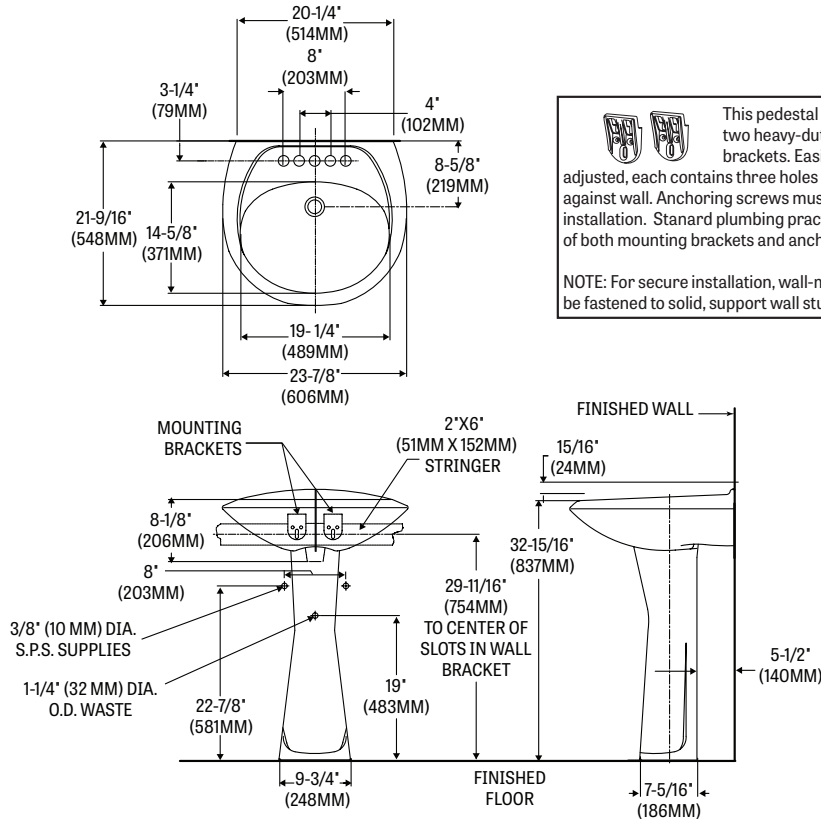
MODEL #	DESCRIPTION	CODES/STANDARDS
349	23-7/8" x 21-9/16" pedestal lavatory	

MATERIAL	Vitreous China
WARRANTY	Vitreous China - Limited Lifetime
FAUCET HOLES	Single Hole, 4" or 8"

SHIPPING WEIGHT	Model 348 - 36 lbs. (16 kg) Model 344 - 28 lbs. (12 kg)
-----------------	--

TECHNICAL INFORMATION

Note: these dimensions are nominal and subject to change without notice.



This pedestal lavatory comes with two heavy-duty plastic mounting brackets. Easily installed and adjusted, each contains three holes for solid mounting against wall. Anchoring screws must be used for correct installation. Standard plumbing practice recommends use of both mounting brackets and anchoring screws.

NOTE: For secure installation, wall-mounting hanger should be fastened to solid, support wall stud.

Fixture performance and specifications meet or exceed ASME A112.19.2-2013/CSA B45.1-13 standards, and other state and local codes.