

ITEM NO. 3781198 / MODEL NO. 5546550000


AVA™ 3570**MANSFIELD®**

70" x 35" x 26-1/2", Acrylic, Swirl-Way® Bathtub

FEATURES

- High gloss, easy-to-clean acrylic with fiberglass reinforcement
- Standard bathtub provides a simple and relaxing soak
- Oval model with center drain
- Pre-leveled legs for easy installation
- Linear waste and overflow included
- Spacious bathing well designed for one-person comfort
- 10-year limited warranty on acrylic
- Installation: Drop-In
- Available in White

**COMPONENTS**

MODEL #	DESCRIPTION	CODES/STANDARDS
5527550000	66" x 36" x 24" Oval Swirl-Way® Bathtub. Drain not included.	
ACCESSORIES		
CAB-	Cable Overflow Drain (White — 1330, Chrome — 1335, Everbrass — 1336, Brushed Nickel — 1337, Oil Rubbed Bronze — 1338, Matte Black — 1339)	
TIP-	Tip Toe Overflow Drain (Chrome — 1335, Everbrass — 1336, Brushed Nickel — 1337, Oil Rubbed Bronze — 1338, Matte Black — 1339)	
SWAPOO	Nailing Flange Kit (includes 14" PVC nailing flange, tacky tape and installation instructions)	



ITEM NO. 3781198 / MODEL NO. 5546550000

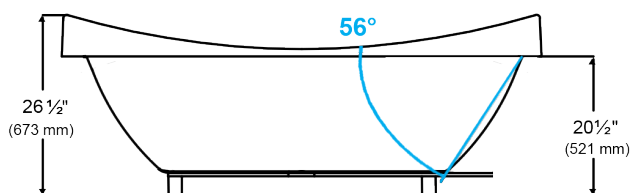
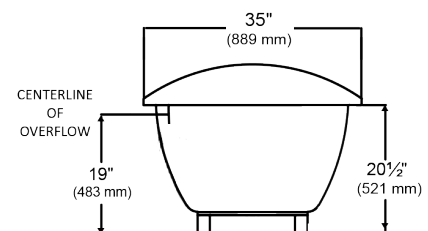
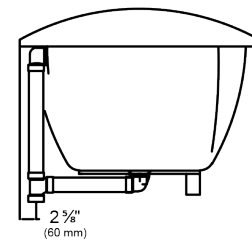
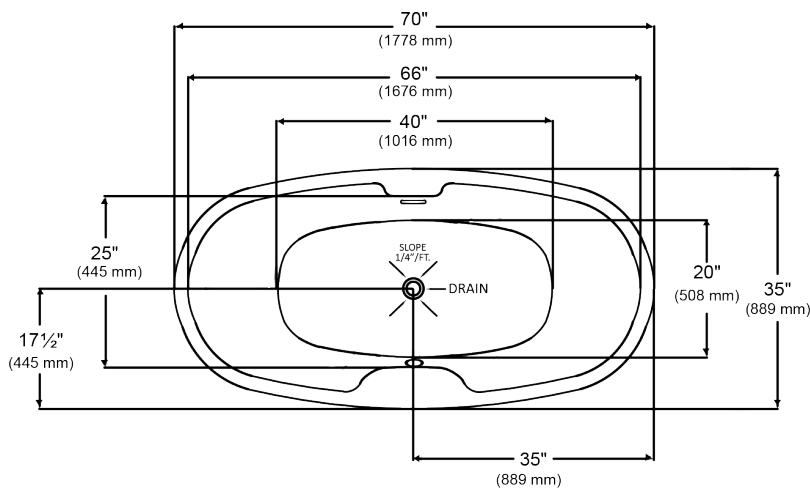
AVA™ 3570**MANSFIELD®**

70" x 35" x 26-1/2", Acrylic, Swirl-Way® Bathtub

SPECIFICATIONS

MATERIAL	Acrylic, fiberglass reinforced
CONSTRUCTION	Self contained bathtub mounted on a pre-leveled base.
WATER CAPACITY	44 gal. (min.) / 57 gal. (max.)

SOAKING DEPTH	14-1/4'
FLOOR LOADING WEIGHT	47 lbs. sq.ft.
SHIPPING WEIGHT	140 lbs. (64 kg)
WARRANTY	Acrylic - 10-Year

TECHNICAL INFORMATION**Note:** these dimensions are nominal and subject to change without notice.**NOTES:**

1. Measurements may vary 1/4" (+/-).
2. Removable apron is not available for this unit.
3. These dimensions are nominal and subject to change without notice.

