

### **FEATURES**

#### • PNEUMATIC SEAT HEIGHT ADJUSTMENT

To raise seat remove pressure from seat and pull lever (1) up.  
To lower seat height sit on chair and pull lever (1) up.

**NOTE:** It is normal for chair to slightly lower under body weight.

#### • LOCKING TILT ADJUSTMENT

For individual comfort, this chair has been equipped with an adjustment that will allow the user to change the tension of the tilting feature. Turn knob (2) clockwise to increase tension and counter-clockwise to decrease or ease the tension. To lock return chair to the upright position and push lever (1) in. To unlock pull lever (1) out.

**NOTE:** Be careful not to loosen back tilt adjustment knob completely.

#### • FLIP ARM

To flip arms up, simply pull up on arm. To lower arm, simply pull down on arm.

#### • LED LIGHTING & ADJUSTMENT

Use LED controller to change the LED light colors.

### **WARNING**

1. Use this product only one person at a time.
2. Do not use this product unless all bolts screws and knobs are securely tightened.
3. Check that all bolts screws and knobs are tight every three months or as needed.
4. Do not overturn back tilt knob when decreasing tension.
5. Dispose of packing material properly. Do not use plastic cover as head covering. It may cause suffocation.
6. Do not use product as a stepladder.
7. Use this product for its intended purpose only.
8. Use mild detergent only for cleaning.

### **OSP FURNITURE LIMITED PRODUCT WARRANTY**

#### **Design Lab Products**

- 3 years on gaming desks and chairs
- Upholstery is not warranted against routine scratching and scuffing

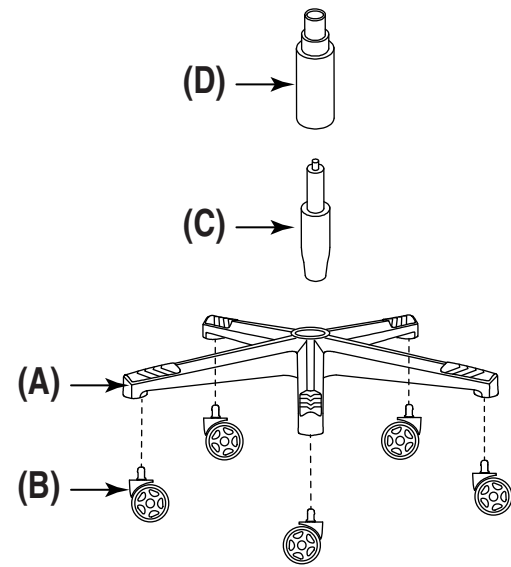
*\*All warranties are limited to the original purchaser for normal commercial usage defined as a standard forty hour work week by persons weighing 250 lbs. or less. This warranty will not cover labor, freight or damage from misuse, abuse, negligence, alteration, accident, vandalism, rusting, acts of nature or any other event beyond the control of Office Star Products. The warranty does not cover cosmetic damage that may result from normal use. Liability for incidental or consequential damages is excluded. The user assumes all risk of injury resulting from use of this product. When usage is more than 40 hours per week, a two year warranty on all parts applies. Fabric and foam is warranted for one year. This warranty gives you specific legal rights, and you may also have other rights which vary from state to state.*

**It is the customer's responsibility to prepay freight on any components returned to the factory. Return freight on components covered by warranty will be paid by Office Star Products.**

Our quality standards are among the highest in the industry. Sometimes, no matter how hard we try, there are times when parts are damaged or missing. Our Parts Department will do everything possible to promptly remedy the problem. Contact us via e-mail [parts@officestarnet.net](mailto:parts@officestarnet.net), by Fax 1-909-930-5629, or toll free parts number 1-800-950-7262, Monday through Friday 8:00 a.m. - 5:00 p.m. Pacific Time.

**INP25**  
**INPUT GAMING CHAIR**  
ASSEMBLY INSTRUCTIONS

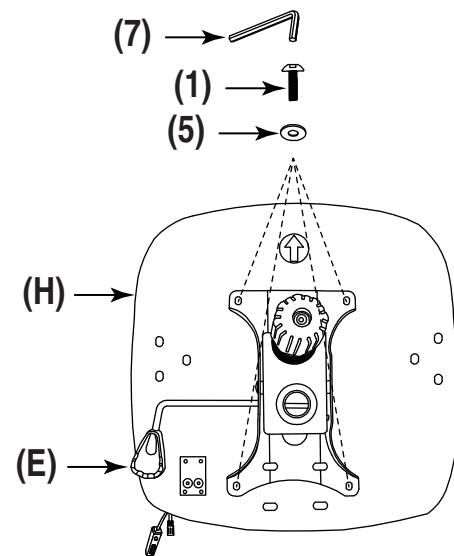
**STEP 1**



PART	QTY
A. Base	1
B. Caster	5
C. Pneumatic Cylinder	2
D. Bellows	2
E. Seat Plate	1
F. Left and Right Arm	3
G. Backrest	1
H. Seat Cushion	1
I. Power Adapter	1

HARDWARE	QTY
1. Bolt (M6 x 20mm)	4
2. Bolt (M6 x 35mm)	6
3. Bolt (M8 x 30mm)	5
4. Flat Washer (6 x 16)	6
5. Flat Washer (6 x 18)	4
6. Flat Washer (8 x 18)	4
11. Allen Wrench (40mm x 1/4")	1

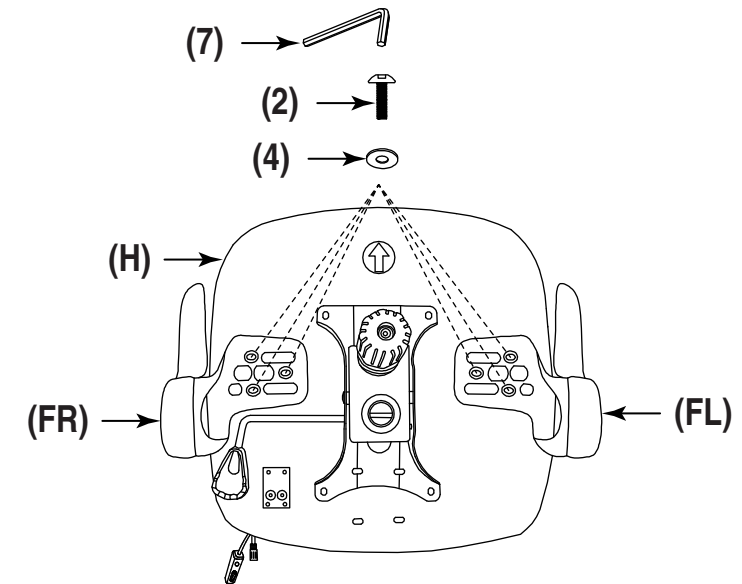
**STEP 2**



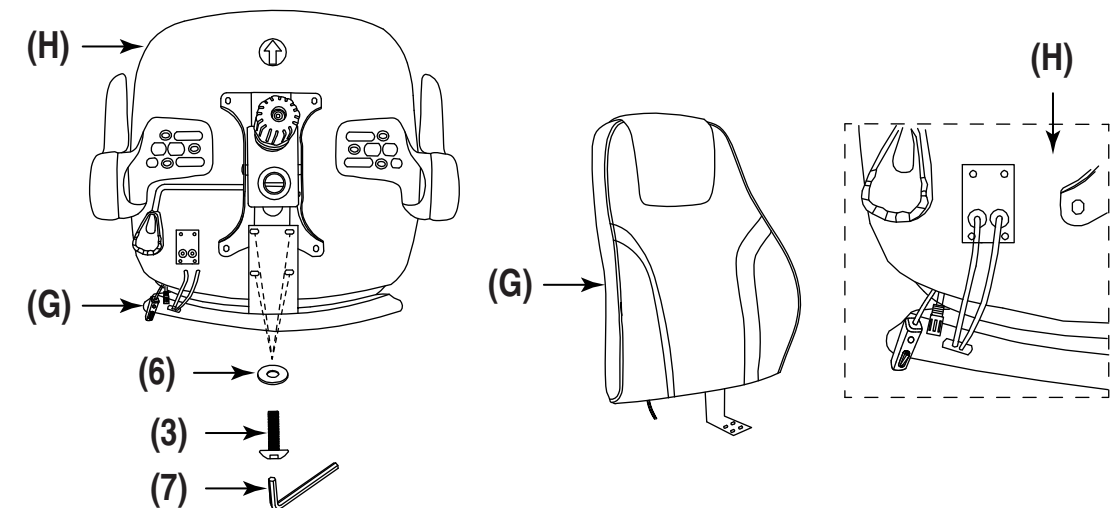
**Remove all the parts from carton, separate them into part numbers indicated on the list and make sure part quantities are correct.**  
**STEP 1** Insert five casters (B) into base (A), push hard until you feel or hear the caster (B) snap into place. Insert pneumatic cylinder (C) into base (A) and slip bellows (D) over pneumatic cylinder (C).  
**STEP 2** Attach seat plate (E) to seat cushion (H) with the arrow towards the front of the chair using four Flat Washers (5) and four bolts (1). **FULLY TIGHTEN BOLTS.**

**INP25**  
**INPUT GAMING CHAIR**  
ASSEMBLY INSTRUCTIONS

**STEP 3**



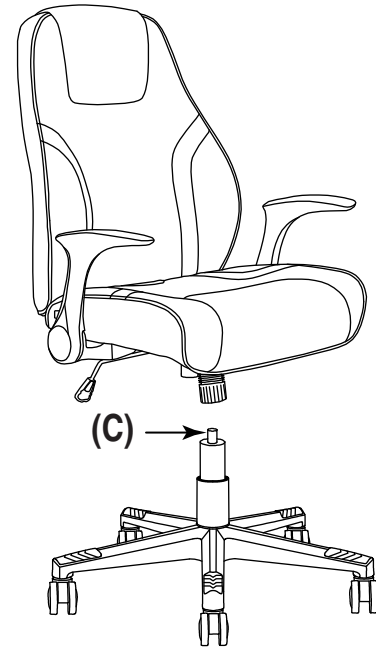
**STEP 4**



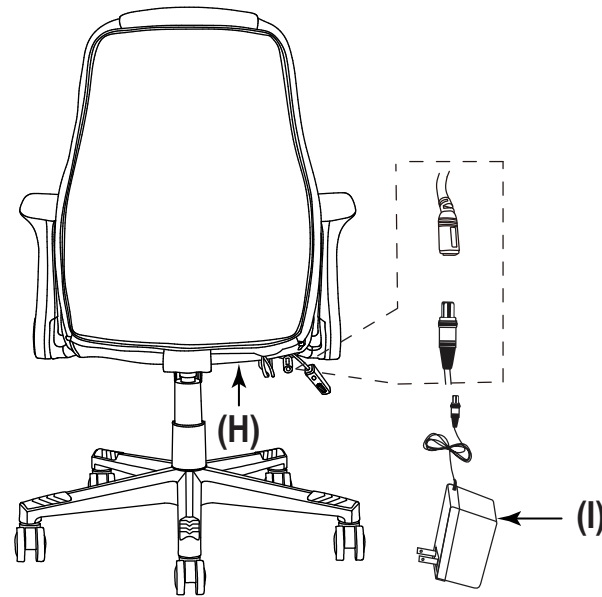
**STEP 3** Attach arms (FL & FR) to seat cushion (H) using three Flat Washers (4) and three bolts (2) for each arm (F). **FULLY TIGHTEN BOLTS (2).**  
**STEP 4** Attach backrest (G) to rear of seat cushion (H) using four Flat Washers (6) and four bolts (3). **FULLY TIGHTEN BOLTS (3).**

**INP25**  
**INPUT GAMING CHAIR**  
ASSEMBLY INSTRUCTIONS

**STEP 5**



**STEP 6**



**STEP 5** Place the assembled seat on top of Pneumatic Cylinder (C) and apply downward pressure.

**STEP 6** Connect power adapter (I) to connectors on rear of chair cushion (H).

**ATTENTION: MAKE SURE ALL BOLTS AND SCREWS ARE FULLY TIGHTENED BEFORE USING PRODUCT.**

**INP25**  
**INPUT GAMING CHAIR**  
ASSEMBLY INSTRUCTIONS

**Lighting Controller**

**Operation Instructions**

Press switch to on position  
Press MODE button to change LED color,  
the 8<sup>th</sup> press will cycle all colors.

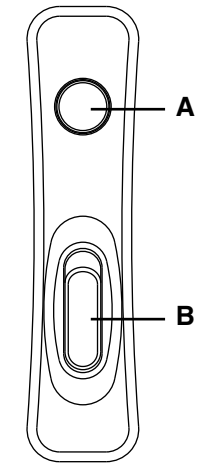
**Battery Operation**

Charge 4 hours to fully charge the batteries before operation.  
48 hours of operation using just the battery.  
The LEDs will function when charging.  
If the LEDs do not work, please contact the seller.

**Input:** AC 100-240V ~ 50/60Hz 0.3A

**Output:** 5V/2A

**Battery capacity:** 1800 mA 3.7 V



**A.** MODE (change LED color)

**B.** Power switch