

1918 WILLOW RUN™



Wall-Mount, Vitreous China Lavatory



FEATURES

- 20-1/2" x 11-3/4" compact wall-mount lavatory
- 13-1/2" x 10" basin
- Concealed front overflow
- Available in 4" faucet center
- Drilled for concealed arm carrier
- Mansfield® limited lifetime warranty
- Available in White



MODEL 1918

COMPONENTS



MODEL #	DESCRIPTION	CODES/STANDARDS
1918	Commercial wall-mount lavatory with 4" faucet center. Complete with hanger and installation instructions. Includes holes under front corners for use with metal console base/legs. Less faucet, drain assembly and supply.	  ADA COMPLIANT

1918 WILLOW RUN™



Wall-Mount, Vitreous China Lavatory

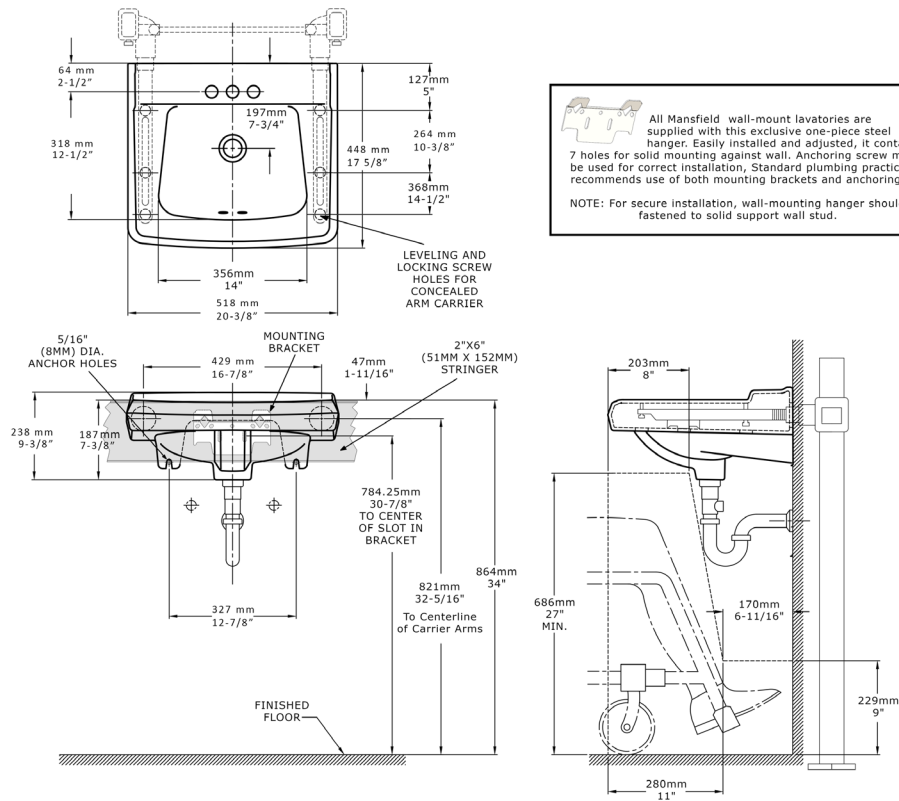
SPECIFICATIONS

MODEL #	DESCRIPTION	CODES/STANDARDS
1918	Wall-mount, vitreous china lavatory	 

MATERIAL	Vitreous China	SHIPPING WEIGHT	Model 1918 - 38 lbs. (17 kg)
WARRANTY	Vitreous China - Limited Lifetime	FAUCET HOLES	4"

TECHNICAL INFORMATION

Note: these dimensions are nominal and subject to change without notice.



All Mansfield wall-mount lavatories are supplied with this exclusive one-piece steel hanger. Easily installed and adjusted, it contains 7 holes for solid mounting against wall. Anchoring screw must be used for correct installation. Standard plumbing practice recommends use of both mounting brackets and anchoring screws.

NOTE: For secure installation, wall-mounting hanger should be fastened to solid support wall stud.

Fixture performance and specifications meet or exceed ASME A112.19.2/CSA B45.1 standards, and other state and local codes.