

# 117-3173 ALTO® 1.28



Round Front, SmartHeight™, Vitreous China, Two-Piece Toilet

## FEATURES

- 3-bolt SmartFasten™ tank-to-bowl connection
- 1.28 gpf / 4.8 lpf high efficiency water consumption
- Uses 20% less water than conventional toilets
- Round front SmartHeight™ bowl
- 3-2" hybrid flapper flush valve
- Fluidmaster® anti-siphon pilot fill valve
- 12" rough-in
- Model 31 color-match, plastic trip lever
- 2" glazed trapway
- The Mansfield® Limited Lifetime Warranty
- Available in White, Biscuit, and Bone



**MODEL 117-3173**

Toilet seat not included

Available as CTK



ROUND



SMARTHEIGHT ADA



CTK

## COMPONENTS

| MODEL #  | DESCRIPTION  | CODES/STANDARDS |
|----------|--|-----------------|
| 117-3173 | Round front, SmartHeight™ two-piece toilet.  |                 |
| 117      | Round front, SmartHeight™ toilet bowl only. Less toilet seat. Specify color.   |                 |
| 3173     | Tank and cover only with left hand, front-mount, color-match, plastic trip lever. Fluidmaster® fill valve. Less supply. Specify color. |                 |

### TANK TRIM & REPLACEMENT PARTS

|          |   |
|----------|---|
| 31       | Trip lever – color-match, plastic trip lever, left hand |
| 228      | 3-2" Hybrid flapper flush valve                         |
| 400A     | Fluidmaster® anti-siphon pilot fill valve               |
| 2206     | Anti-siphon pilot fill valve (compatible replacement)   |
| 630-0207 | 3" Replacement flapper kit                              |
| 160-LID  | Tank lid  |





When properly installed, this product meets the requirements for the Americans with Disabilities Act of 1990 (ADA). Refer to local plumbing codes, as they may vary by location and application.

# 117-3173 ALTO<sup>®</sup> 1.28



Round Front, SmartHeight™, Vitreous China, Two-Piece Toilet

## SPECIFICATIONS

| MODEL #  | DESCRIPTION  | CODES/STANDARDS   |
|----------|--|---|
| 117-3173 | Round front SmartHeight™ (1.28 gpf / 4.8 lpf) two-piece toilet |     |

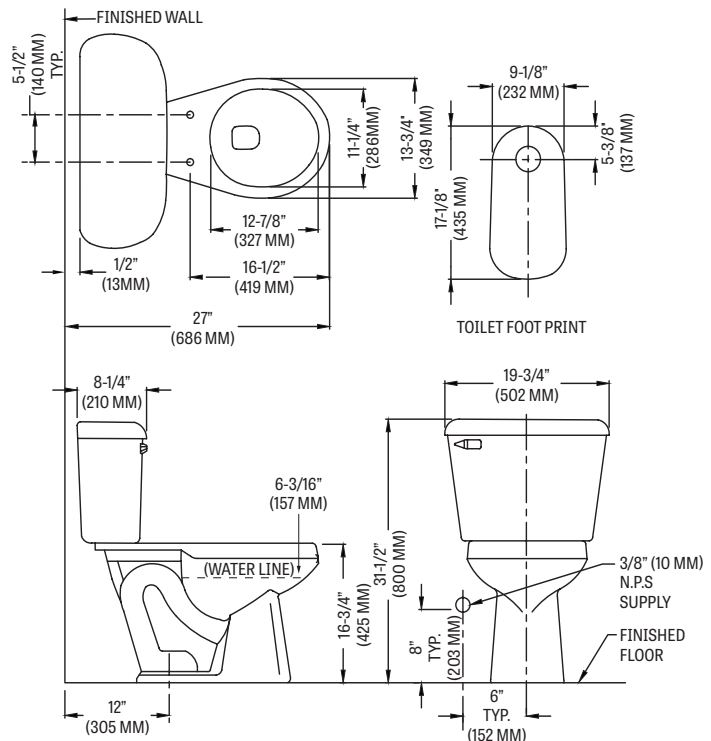
|                      |                                 |
|----------------------|---------------------------------|
| MATERIAL             | Vitreous China                  |
| WATER PRESSURE RANGE | 20 to 80 PSI                    |
| FLUSH SYSTEM         | 3-2" Hybrid flapper flush valve |
| WATER USAGE          | 1.28 gpf / 4.8 lpf              |
| WATER SURFACE AREA   | 8" X 9"                         |
| ROUGH-IN             | 12"                             |
| MaP RATING           | 800 grams                       |

|                 |   |
|-----------------|---|
| TRAP DIAMETER   | 2"  |
| TRAP SEAL       | 2-7/8"  |
| SHIPPING WEIGHT | Model 117 - 49 lbs. (22 kg)<br>Model 3173 - 34 lbs. (15 kg)       |
| WARRANTY        | Vitreous China - Limited Lifetime<br>Tank Trim - Limited One Year |

| TANK OPTIONS |   |
|--------------|---|
| 3173         | <b>Standard 1.28 gpf configuration:</b><br>3-2" hybrid flapper flush valve, Fluidmaster <sup>®</sup> anti-siphon pilot fill valve, left hand, color-match trip lever. |
| 3173RH       | Variation of model 3173, with right hand, color-match trip lever.   |
| 3165         | Variation of model 3173, with cover lock.   |
| 3174         | Variation of model 3173, with tank liner.   |
| 3120         | Variation of model 3173, with left hand, chrome trip lever.   |
| 3125         | Variation of model 3173, 14" rough-in.  |

## TECHNICAL INFORMATION

**Note:** these dimensions are nominal and subject to change without notice.



Fixture performance and specifications meet or exceed ASME A112.19.2/CSA B45.1 standards, and other state and local codes.