

ITEM NO. 3781203 / MODEL NO. 5574550000


**BRENTWOOD® 3672****MANSFIELD®**

72" x 36" x 22-1/2", Acrylic, Swirl-Way® Bathtub

**FEATURES**

- High gloss, easy-to-clean acrylic with fiberglass reinforcement
- Standard bathtub provides a simple and relaxing soak
- Clean, geometric lines
- Includes one pillow
- Rectangular model with end drain (left- or right-hand installation)
- Pre-leveled legs for easy installation
- Integrated dual armrests for bather's comfort
- Two decorative handles
- Spacious bathing well designed for one-person comfort
- 10-year limited warranty on acrylic
- Installation: Drop-In, Alcove or Undermount
- Available in White

**COMPONENTS**

MODEL #	DESCRIPTION	CODES/STANDARDS
5574550000	72" x 36" x 22-1/2" Rectangular Swirl-Way® Bathtub. Drain not included.	
<b>ACCESSORIES</b>		
<b>CAB-</b>	Cable Overflow Drain (White — 1330, Chrome — 1335, Everbrass — 1336, Brushed Nickel — 1337, Oil Rubbed Bronze — 1338, Matte Black — 1339)	
<b>TIP-</b>	Tip Toe Overflow Drain (Chrome — 1335, Everbrass — 1336, Brushed Nickel — 1337, Oil Rubbed Bronze — 1338, Matte Black — 1339)	
<b>SWAPOO</b>	Nailing Flange Kit (includes 14" PVC nailing flange, tacky tape and installation instructions)	



ITEM NO. 3781203 / MODEL NO. 5574550000

# BRENTWOOD® 3672

# MANSFIELD®



72" x 36" x 22-1/2", Acrylic, Swirl-Way® Bathtub

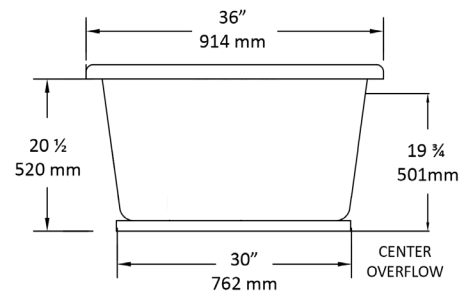
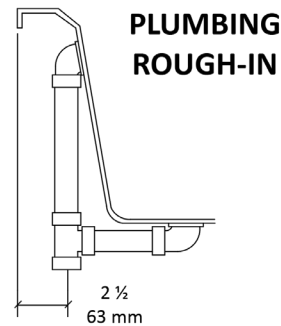
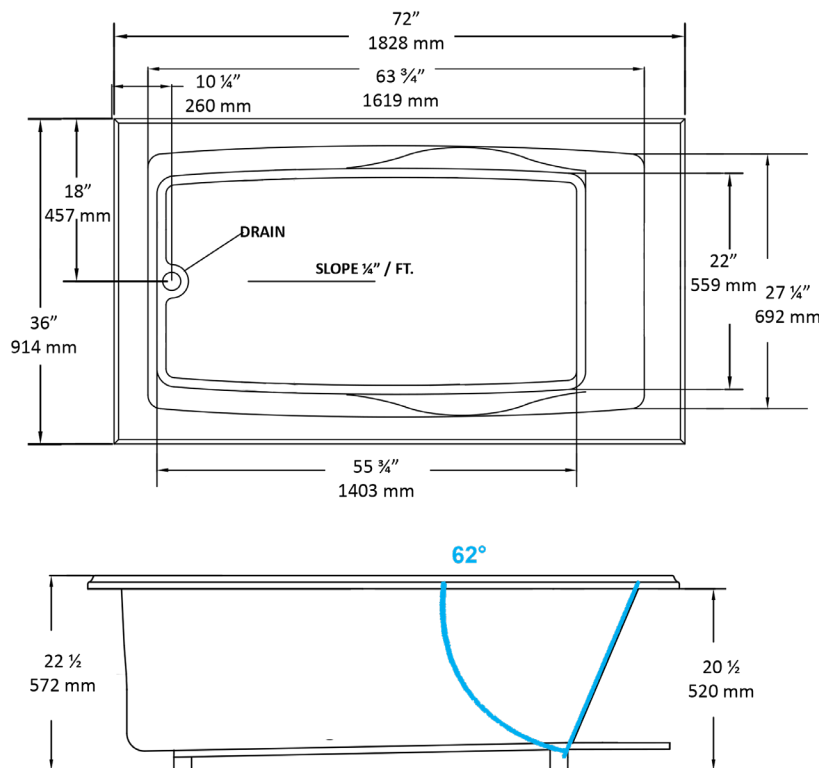
## SPECIFICATIONS

<b>MATERIAL</b>	Acrylic, fiberglass reinforced
<b>CONSTRUCTION</b>	Self contained bathtub mounted on a pre-leveled base.
<b>WATER CAPACITY</b>	65 gal. (min.) / 80 gal. (max)

<b>SOAKING DEPTH</b>	16-1/4"
<b>FLOOR LOADING WEIGHT</b>	47 lbs. sq.ft.
<b>SHIPPING WEIGHT</b>	160 lbs. (73 kg)
<b>WARRANTY</b>	Acrylic - 10-Year

## TECHNICAL INFORMATION

**Note:** these dimensions are nominal and subject to change without notice.



**NOTES:**

1. Measurements may vary 1/4" (+/-)
2. If a factory installed nailing flange is added to a unit, add 1/8" to each side flanged.
3. Removable apron is not available for this unit.
4. These dimensions are nominal and subject to change without notice.

