

# 147-123RH QUANTUM®



Elongated Front, Vitreous China, Two-Piece Toilet

## FEATURES

- High performance, pressure-assist Flushmate III™ system
- 1.6 gpf / 6.0 lpf low water consumption
- Elongated front bowl
- 12" rough-in
- Model 49RH chrome-plated, metal trip lever
- 2" glazed trapway
- The Mansfield® Limited Lifetime Warranty  
Flushmate five-year limited warranty on vessel
- Available in white
- 1000 gr MaP




**MODEL 147-123RH**

Toilet seat not included



## COMPONENTS


| MODEL #                                  | DESCRIPTION   | CODES/STANDARDS   |
|--|---|---|
| 147-123RH                                | Elongated front, pressure-assist, two-piece toilet. Less toilet seat and supply.                  |  |
| 147                                      | Elongated front, pressure-assist bowl only. Less toilet seat and supply.                          |   |
| 123RH                                    | Pressure-assist tank and cover only with right hand chrome-plated, metal trip lever. Less supply. |   |
| <b>TANK OPTIONS</b>                      |   |   |
| 123                                      | Pressure-assist tank and cover only with left hand chrome-plated, metal trip lever. Less supply.  |   |
| <b>TANK TRIM &amp; REPLACEMENT PARTS</b> |   |   |
| 49RH                                     | Trip lever - chrome-plated, metal trip lever, right hand  |   |
| FLUSHMATE®<br>503                        | Pressure-assist flushing system. Separate warranty applies. Contact FLUSHMATE® at 1-800-533-3460. |   |

# 147-123RH QUANTUM®



Elongated Front, Vitreous China, Two-Piece Toilet

## SPECIFICATIONS

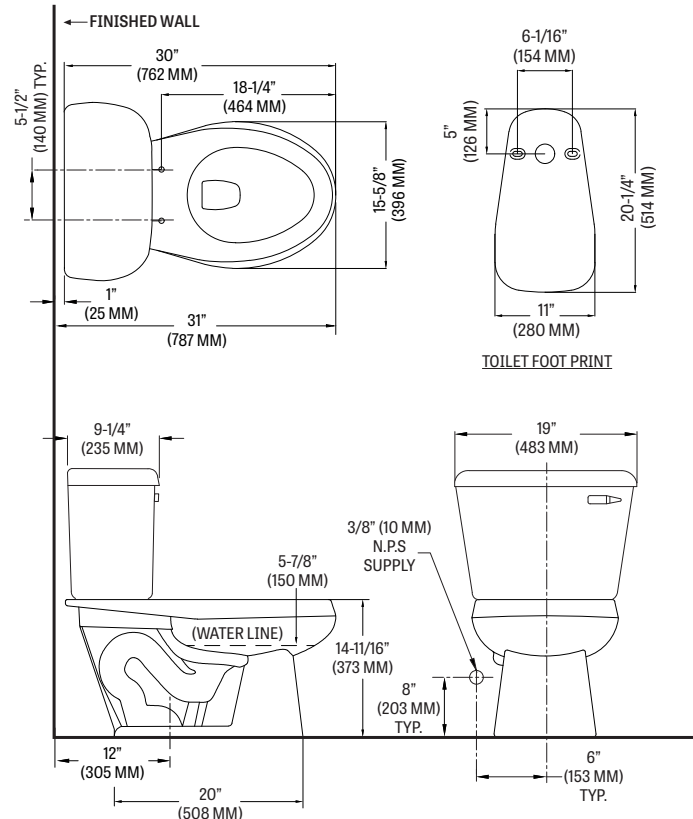
| MODEL #   | DESCRIPTION  | CODES/STANDARDS   |
|-----------|--|---|
| 147-123RH | Elongated front (1.6 gpf/6.0 lpf) two-piece toilet |  |

|                      |                                    |
|----------------------|------------------------------------|
| MATERIAL             | Vitreous China                     |
| WATER PRESSURE RANGE | 35 to 80 PSI                       |
| FLUSH SYSTEM         | Flushmate III™ flushing technology |
| WATER USAGE          | 1.6 gpf / 6.0 lpf                  |
| WATER SURFACE AREA   | 8-3/4" X 10-3/8"                   |
| ROUGH-IN             | 12"                                |
| MAP RATING           | 1000 grams                         |

|                 |   |
|-----------------|---|
| TRAP DIAMETER   | 2"  |
| TRAP SEAL       | 2-1/4"  |
| SHIPPING WEIGHT | Model 147 - 50 lbs. (22 kg)<br>Model 123RH - 43 lbs. (19.5 kg)              |
| WARRANTY        | Vitreous China - Limited Lifetime<br>Vessel - Limited Five-Year (Flushmate) |

## TECHNICAL INFORMATION

**Note:** these dimensions are nominal and subject to change without notice.



Fixture performance and specifications meet or exceed ASME A112.19.2-2013/CSA B45.1-13 standards, and other state and local codes.