

# 1312

Floor Mount, Rear Outlet, Elongated Front, Flush Valve Toilet

## FEATURES

- Specifically designed for commercial and industrial applications
- 1.28\* or 1.6 gpf low water consumption  
(\*when using the proper 1.28 flushometer)
- High performance, high efficiency (HET)
- Elongated front, floor mount, rear outlet
- 1-3/4" glazed trapway
- The Mansfield® limited lifetime warranty
- Available in White





**MODEL 1312**

Toilet seat not included



ELONGATED

## COMPONENTS



MODEL #	DESCRIPTION	CODES/STANDARDS
1312	Elongated front, rear outlet, flush valve toilet bowl. Less toilet seat, flush valve and supply.	 



# 1312

Floor Mount, Rear Outlet, Elongated Front, Flush Valve Toilet

## SPECIFICATIONS

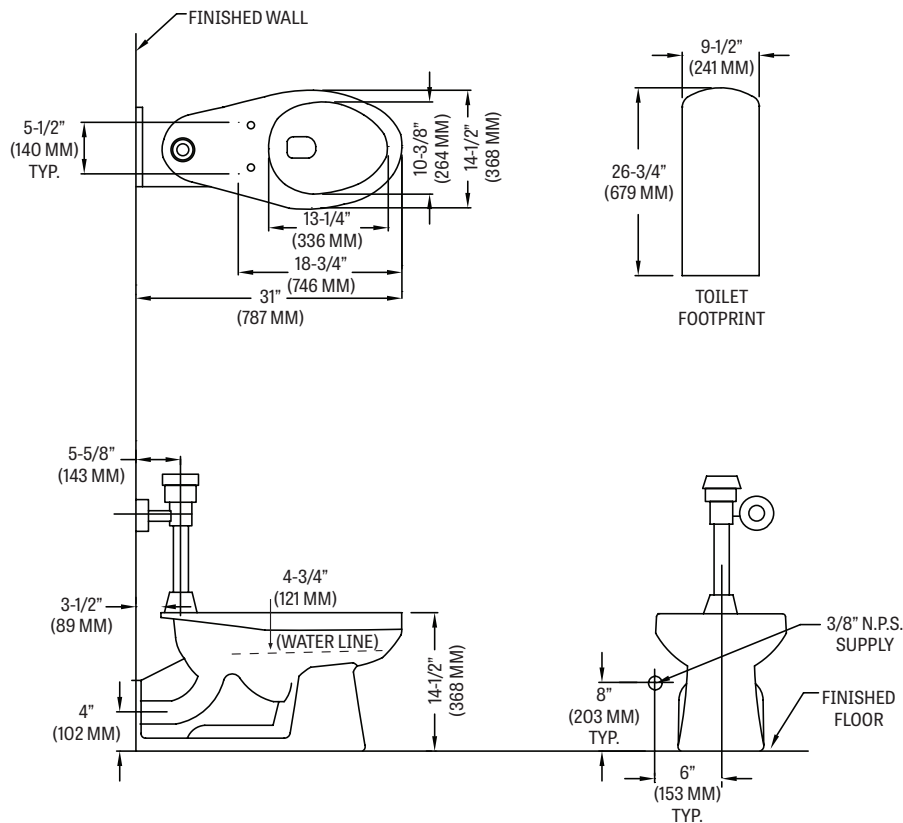
MODEL #	DESCRIPTION	CODES/STANDARDS
1312	Elongated front, floor mount, flush valve toilet	 

<b>MATERIAL</b>	Vitreous China
<b>WATER PRESSURE RANGE</b>	20 to 80 PSI
<b>FLUSH SYSTEM</b>	Siphon jet technology
<b>WATER USAGE</b>	1.28 or 1.6 gpf / 4.86 or 6.05 lpf
<b>WATER SURFACE AREA</b>	10-1/4" X 12-1/4"
<b>ROUGH-IN</b>	Rear outlet
<b>MAP RATING</b>	1,000 grams

<b>TRAP DIAMETER</b>	1-3/4"
<b>TRAP SEAL</b>	2-5/8"
<b>SHIPPING WEIGHT</b>	Model 1312 - 61 lbs. (28 kg)
<b>WARRANTY</b>	Vitreous China - Limited Lifetime Tank Trim - Limited One Year

## TECHNICAL INFORMATION

**Note:** these dimensions are nominal and subject to change without notice.



Fixture performance and specifications meet or exceed ASME A112.19.2-2013/CSA B45.1-13 standards, and other state and local codes.

