

# 1311 BALTIC



Elongated Front, Flush Valve Toilet, 10" Rough-in, 1.1 to 1.6 gpf water consumption

## FEATURES

- Specifically designed for commercial and industrial applications
- Water consumption ranges from 1.1 to 1.6 gallons per flush depending on the flush valve used
- High performance, high efficiency (HET) when using the proper flushometer
- 1-1/2" top spud provided to accommodate many brands of flush valves
- 10" rough-in
- 2" glazed trapway
- The Mansfield® limited lifetime warranty
- Available in White





**MODEL 1311**

Toilet seat not included



ELONGATED

## COMPONENTS



MODEL #	DESCRIPTION	CODES/STANDARDS
1311	Elongated front, flush valve toilet bowl. Less toilet seat, flush valve and supply.	  HIGH EFFICIENCY TOILET

# 1311 BALTIC



Elongated Front, Flush Valve Toilet, 10" Rough-in, 1.1 to 1.6 gpf water consumption

## SPECIFICATIONS

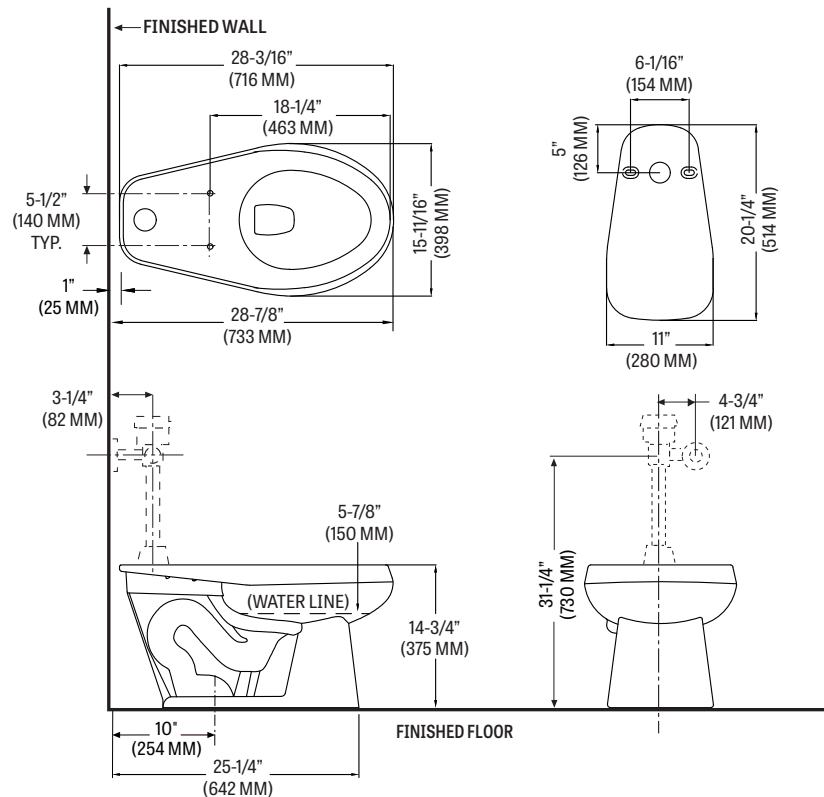
MODEL #	DESCRIPTION	CODES/STANDARDS
1311	Elongated front, (1.1 to 1.6 gallons per flush) flush valve toilet	 

MATERIAL	Vitreous China
WATER PRESSURE RANGE	20 to 80 PSI
FLUSH SYSTEM	Siphon jet technology
WATER USAGE	1.1 to 1.6 gallons per flush
WATER SURFACE AREA	9-1/4' X 10-3/4'
ROUGH-IN	10"
MAP RATING	1,000 grams

TRAP DIAMETER	2'
TRAP SEAL	2-1/2'
SHIPPING WEIGHT	Model 1311 - 50 lbs. (23 kg)
WARRANTY	Vitreous China - Limited Lifetime

## TECHNICAL INFORMATION

**Note:** these dimensions are nominal and subject to change without notice.



Fixture performance and specifications meet or exceed ASME A112.19.2-2013/CSA B45.1-13 standards, and other state and local codes.