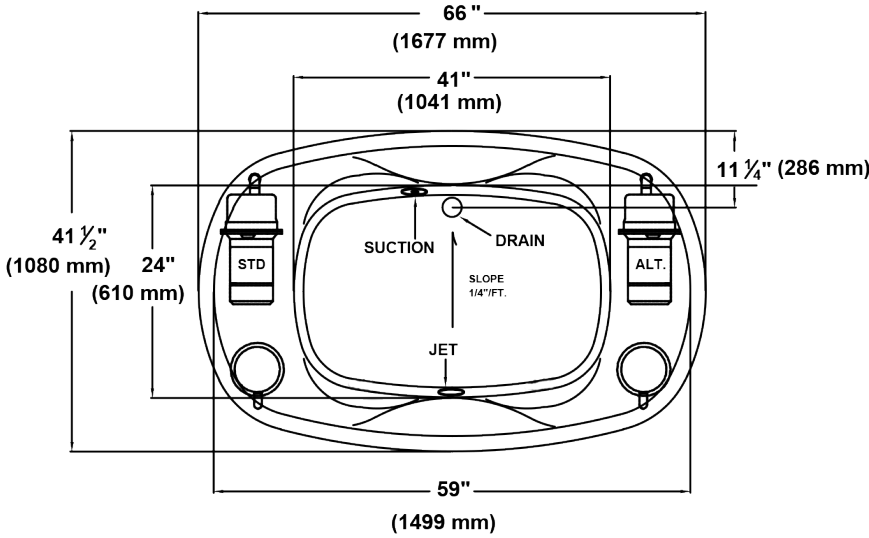


5233

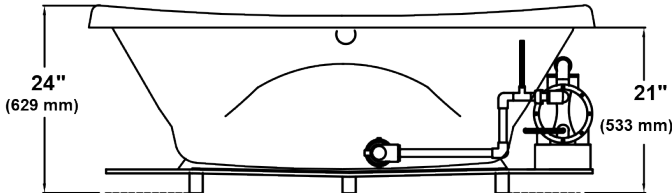
MANSFIELD®

Essence™ 66" x 41 1/2" x 24"

Swirl-way® MicroDerm™ Therapeutic Bath

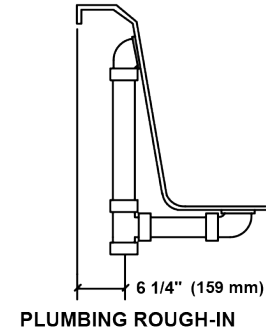


Pump locations shown for clarity.
 STD - Standard Location ALT - Alternate Location

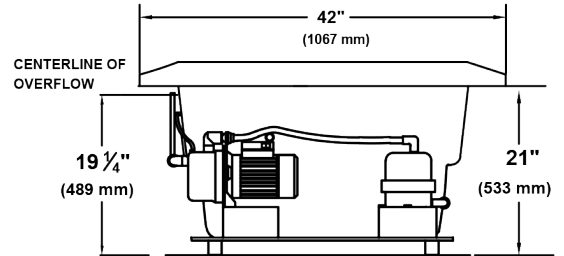


Rough-in measurements may vary 1/4" (+/-)

These dimensions are nominal and subject to change without notice



PLUMBING ROUGH-IN



INSTALLER NOTE: DUE TO THE FREEFORM SHAPE OF THIS TUB IT IS RECOMMENDED THAT THE TUB BE ON THE JOBSITE BEFORE MAKING THE FINAL CUT OUT FOR DROP IN INSTALLATION.

SPECIFICATIONS

| Specification | Description | Specification | Description |
|-------------------------|---|----------------------|--|
| Construction | Self-contained, pre-plumbed bath system mounted on a pre-leveled base | Water Capacity | 75 gal. (min) 90 gal. (max) |
| Number of Ports | 1 | Shipping Weight | 175 lbs. |
| Pump Motor | 120V, 10 Amp, 60 Hz; Thermally protected | Floor Loading Weight | 47 lbs. / sq.ft |
| Electrical Requirements | One 120V, 20 amp GFCI dedicated circuit. | On/Off Control | Single button electronic control with twenty (20) minute timer |
| Material | Acrylic, fiberglass reinforced | Warranty | Limited Ten Year |

