

ITEM NO. 3781192 / MODEL NO. 5502550000


BAYWOOD™ 5.0**MANSFIELD®**

60" x 36" x 19-3/4", Acrylic, Swirl-Way® Bathtub

FEATURES

- High gloss, easy-to-clean acrylic with fiberglass reinforcement
- Standard bathtub provides a simple and relaxing soak
- Includes one pillow
- Rectangular model with end drain (left- or right-hand installation)
- Pre-leveled legs for easy installation
- Integrated dual armrests for bather's comfort
- Two decorative handles
- Spacious bathing well designed for one-person comfort
- Optional removable apron available
- 10-year limited warranty on acrylic
- Installation: Drop-In or Alcove
- Available in White

**COMPONENTS**

MODEL #	DESCRIPTION	CODES/STANDARDS
5502550000	60" x 36" x 19-3/4" Rectangular Swirl-Way® Bathtub. Drain not included.	
ACCESSORIES		
CAB-	Cable Overflow Drain (White — 1330, Chrome — 1335, Everbrass — 1336, Brushed Nickel — 1337, Oil Rubbed Bronze — 1338, Matte Black — 1339)	
TIP-	Tip Toe Overflow Drain (Chrome — 1335, Everbrass — 1336, Brushed Nickel — 1337, Oil Rubbed Bronze — 1338, Matte Black — 1339)	
700250000	Removable Apron - Baywood 5.0	
SWAPO0	Nailing Flange Kit (includes 14' PVC nailing flange, tacky tape and installation instructions)	



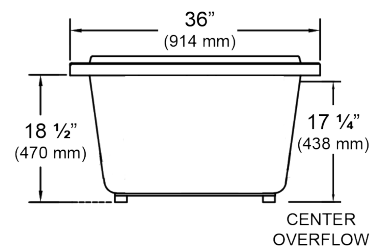
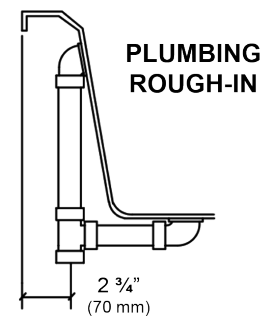
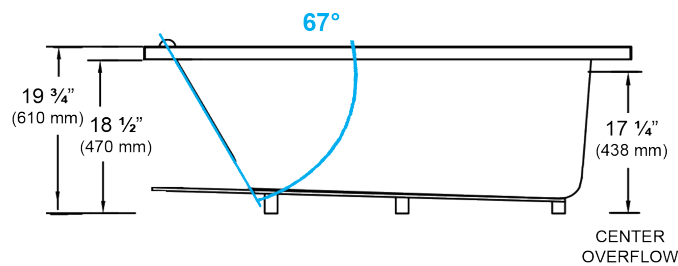
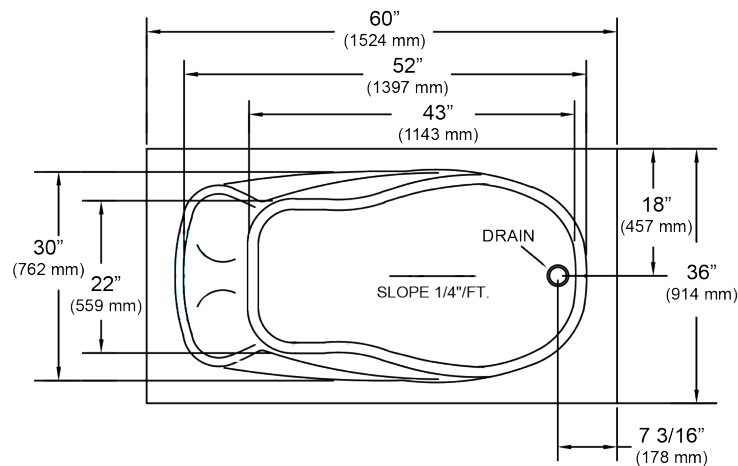
ITEM NO. 3781192 / MODEL NO. 5502550000

BAYWOOD™ 5.0**MANSFIELD®**

60" x 36" x 19-3/4", Acrylic, Swirl-Way® Bathtub

SPECIFICATIONS

MATERIAL	Acrylic, fiberglass reinforced	SOAKING DEPTH	14-1/2'
CONSTRUCTION	Self contained bathtub mounted on a pre-leveled base.	FLOOR LOADING WEIGHT	47 lbs. sq.ft.
WATER CAPACITY	40 gal. (min.) / 60 gal. (max)	SHIPPING WEIGHT	120 lbs. (54 kg)
		WARRANTY	Acrylic - 10-Year

TECHNICAL INFORMATION**Note:** these dimensions are nominal and subject to change without notice.**NOTES:**

1. Measurements may vary 1/4" (+/-)
2. If a factory installed nailing flange is added to a unit, add 1/8" to each side flanged.
3. Removable apron is optional for this unit.
4. These dimensions are nominal and subject to change without notice.

