

# IMPORTANT HOME OWNER INFORMATION

## THE WHITLEY COLLECTION FREESTANDING BATHS



Installation, Use and Care Guide

 **MANSFIELD®**

# WARNING - IMPORTANT SAFETY INSTRUCTIONS

## READ AND FOLLOW ALL INSTRUCTIONS

SAVE THESE INSTRUCTIONS.

- ▲ **WARNING: RISK OF ACCIDENTAL INJURY OR DROWNING; CHILDREN SHOULD NOT USE BATHTUB WITHOUT ADULT SUPERVISION.**
- ▲ **WARNING: TO AVOID INJURY, EXERCISE CARE WHEN ENTERING OR EXITING THE BATHTUB.**
- ▲ **WARNING: RISK OF ACCIDENTAL INJURY OR DROWNING; DO NOT USE DRUGS OR ALCOHOL BEFORE OR DURING THE USE OF A BATHTUB TO AVOID UNCONSCIOUSNESS AND POSSIBLE DROWNING.**
- ▲ **WARNING: RISK OF FETAL INJURY; PREGNANT OR POSSIBLY PREGNANT WOMEN SHOULD CONSULT A PHYSICIAN BEFORE USING A BATHTUB.**
- ▲ **WARNING: RISK OF HYPERTHERMIA AND POSSIBLE DROWNING; DO NOT USE A BATHTUB IMMEDIATELY FOLLOWING STRENUOUS EXERCISE.**

The causes, symptoms, and effects of hyperthermia may be described as follows: Hyperthermia occurs when the internal temperature of the body reaches a level several degrees above the normal body temperature of 98.6° F. The symptoms of hyperthermia include an increase in the internal temperature of the body, dizziness, lethargy, drowsiness and fainting. The effects of hyperthermia include:

- a. Failure to perceive heat,
- b. Failure to recognize the need to exit the bathtub,
- c. Unawareness of impending hazard,
- d. Fetal damage in pregnant women,
- e. Physical inability to exit the bathtub, and
- f. Unconsciousness resulting in the danger of drowning

- ▲ **WARNING: The use of alcohol, drugs, or medication can greatly increase the risk of fatal hyperthermia.**

Thank you for your purchase of our Mansfield® Whitley™ Collection freestanding bathtub. Please read this owner's manual in its entirety. By following the installation and easy care and maintenance instructions, we know that you will enjoy your bathtub for many years to come.

Please locate and record your serial number. It is located on the serial number sticker on the bottom of the bathtub and on the side wall of the bathtub. Your serial number can be written in the back of this manual for safekeeping.

If the need arises, you will need to provide the serial number for our Customer Service Department to be able to help you. They can be reached at 877-850-3060. Thank you again for purchasing Mansfield Plumbing Products!

## BEFORE YOU START

Read the instructions completely prior to beginning installation.

1. Carefully inspect the bath thoroughly for any damage, missing parts, breakage or scratches that may have occurred during shipping or handling. If necessary, file a claim immediately with the freight carrier.
2. Physically measure the unit and verify against the specification sheet. Tolerances are +/- 1/4". (Specs are subject to change without notice).
3. Water test all baths before proceeding with installation. Each unit has been tested in our facility to ensure it is water tight. However, rough handling during shipping may cause leaks.

If you have any questions, discover any damage, leaks, missing parts, etc., do not proceed with installation. Call our Customer Service Department at 877-850-3060. We will be happy to help you.

Thank you for purchasing our product and taking the time to read these instructions. For the best quality installation, we recommend you use professional carpenters and licensed plumbers.

## SHIPPING PROTECTION OF THE BATH

Mansfield provides protective materials around the bath product to protect the unit from damage during shipping and installation. The use of protective material during installation is highly recommended to prevent any unnecessary damage such as scratches, abrasions or cracks.

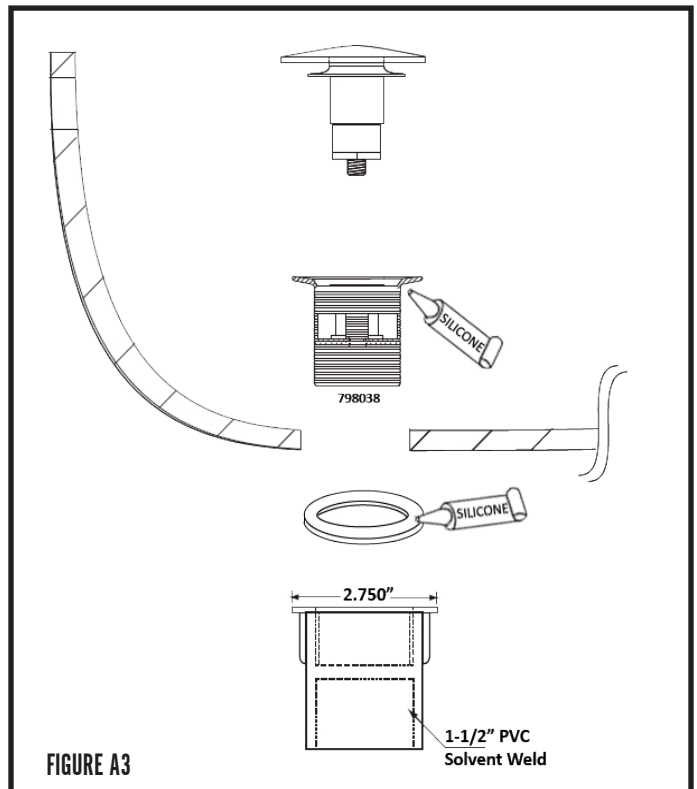
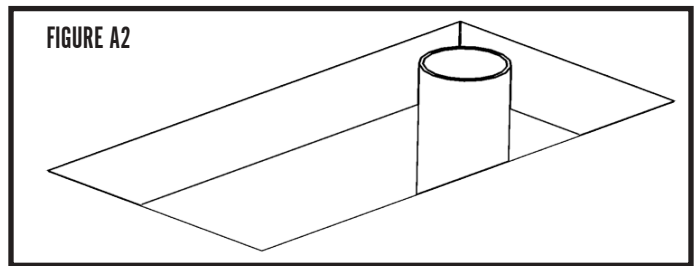
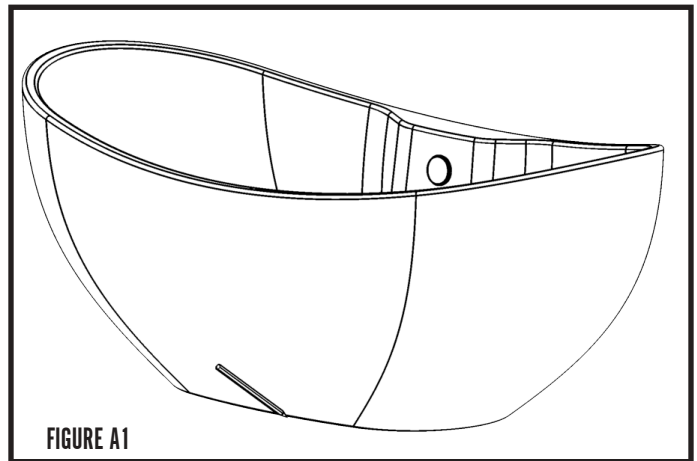
# INSTALLATION GUIDE - ONE PIECE BATHS

THE FOLLOWING INSTRUCTIONS PERTAIN TO ONE-PIECE BATHS.

**INCLUDED MODELS:**

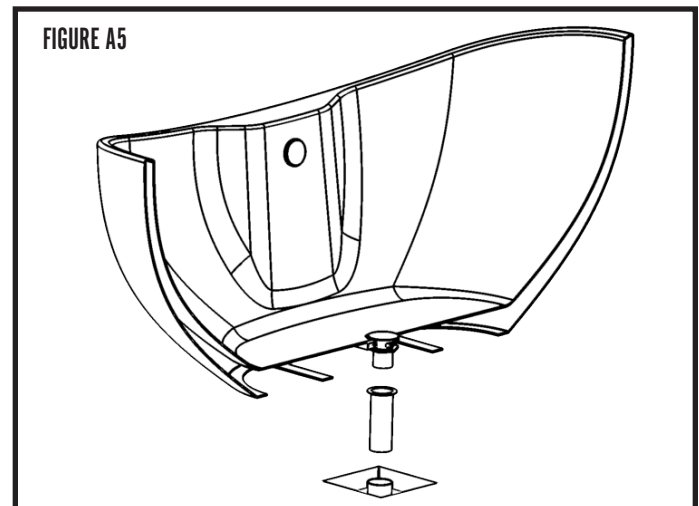
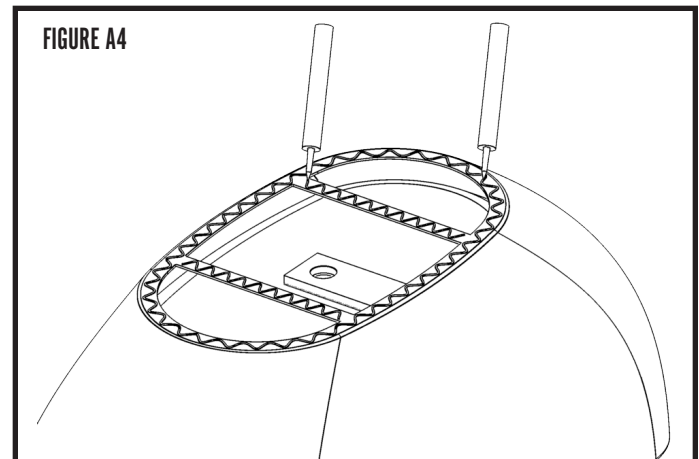
5728 - LANA PETITE	5729 - LANA
5731 - GRETA	5732 - AVA
5758 - BRIGITTE	5733 - AVA PETITE
5788 - INGRID	5757 - BRIGITTE PETITE

1. Always have two people when moving and assembling the bathtub.
2. Determine the location where the bathtub is to be installed. Ensure the location is flat, level and structurally sound. Clean and prepare the floor for installation.
3. Place the bathtub in the exact location of installation and trace the outline of the bottom of the bathtub with a pencil or erasable marker. See Figure A1.
4. Gently turn the bathtub upside down. Always make sure to put the tub on carpet, a piece of cardboard, or other soft material to prevent surface damage to the bathtub.
5. The bathtub legs will sit on the finished floor. The tub must NOT be supported by the skirt. Adjust the leveling legs by turning clockwise or counter-clockwise until they protrude 1/8" (3mm) beyond the skirt. A 2x4 or level may be used to help with this measurement.
6. The drain will sit approximately 1/2" to 1-1/2" below the finished floor. Determine the location of the drain pipe by taking measurements of the drain and waste location underneath the bathtub. The size of the floor cutout must allow for the entire drain to clear. See Figure A2.
7. Place the tub on carpet, a piece of cardboard, or other soft material to protect the acrylic finish of the bathtub. Turn the bathtub on its side so that it is properly supported during drain installation.
8. Clean the area around the rough side of the drain hole and overflow hole in preparation to set the drain. The area should be clean, dry and free from any debris.
9. Install drain: Measure and dry fit all connections. Use silicone sealant under tub drain. See Figure A3. Place rubber gasket on overflow straight connector using silicone and thread in drain. Thread in stopper.



## INSTALLATION GUIDE - ONE PIECE BATHS

11. Install faucetry (not supplied).
12. To install faucets on the deck area, flexible connection lines that are 72" in length must be used. Use caution when drilling for the faucet to ensure the side wall of the bathtub is not damaged. Use extra caution if installing the faucet on the same side as the overflow. make sure there is no interference between the faucet and the overflow.
13. If possible, it is best to have access from below the bathtub. (If no access to install from below, skip to step #19).
14. Using clear silicone or construction adhesive, apply a  $\frac{3}{8}$ " bead to the bottom of the bathtub to adhere it to the floor. See Figure A4.
15. Cautiously lower the bathtub so the drain drops through the opening in the floor. See Figure A4.
16. Be careful to not allow silicone to get on the outside wall of the bathtub or floor area. Immediately wipe any excess with a clean, damp cloth.
17. Connect the drain to the P-trap from below.
18. Installation is complete. Water test to ensure the bathtub is leak free. Allow to set for 24 hours before use.
19. If installing bathtub without access from below: Place two 2x4 boards underneath the bathtub to elevate it above the floor and align the drain with the P-trap. It is very important to not allow the bathtub to rest on the drain plumbing.
20. Using clear silicone or construction adhesive, apply a  $\frac{3}{8}$ " bead to the bottom of the bathtub to adhere it to the floor. Be careful to not allow silicone to get on the outside wall of the tub or floor area. Immediately wipe any excess with a clean, damp cloth. See Figure A4.
21. Using caution, remove the 2x4 supports and lower the bathtub so the drain drops into the P-trap adapter. See Figure A5.
22. Installation is complete. Water test to ensure the bath is leak free. Allow to set for 24 hours before use.



# INSTALLATION GUIDE - TWO PIECE BATHS

THE FOLLOWING INSTRUCTIONS PERTAIN TO TWO-PIECE BATHS.

## INCLUDED MODELS:

5743 - AVA 3260

5746 - AVA 3570

5752 - LANA 3260

5754 - LANA 3466

1. Always have two people when moving and assembling the bathtub.
2. Determine the location where the bathtub is to be installed. Ensure that the location is flat, level, and structurally sound. Clean and prepare the floor for installation.
3. Use the provided template to determine the exact location of installation. Note that the solid outer line represents the footprint of the bathtub. See Figure B1.
4. Mark the center axis drain location onto the floor using the provided template. This mark will be used when cutting the drain pipe access hole.
5. Using a 4 1/2" hole-saw, drill the drain pipe access hole using the center axis drain mark from step 4 as a guide.
6. Gently turn the bathtub upside down. Always make sure to put the tub on a carpet, piece of cardboard, or soft material to prevent surface damage to the bathtub.
7. The bathtub legs will sit on the finished floor. The tub must NOT be supported by the detachable skirt. Adjust the leveling legs by turning clockwise or counter-clockwise until they protrude 1/8" (3mm) beyond the skirt. A 2x4 or level may be used to help with this measurement. See Figure B2.
8. Remove the detachable skirt from the tub, and place on a carpet, piece of cardboard, or soft material. See Figure B3.
9. Clean the area around the rough side of the drain and overflow holes in preparation to set the drain. The area should be clean, dry, and free from any debris.
10. Install drain and overflow: Measure and dry fit all connections. Ensure that the overflow plumbing will not contact the tub skirt before completing any solvent welds. Use silicone sealant under tub drain.

FIGURE B1

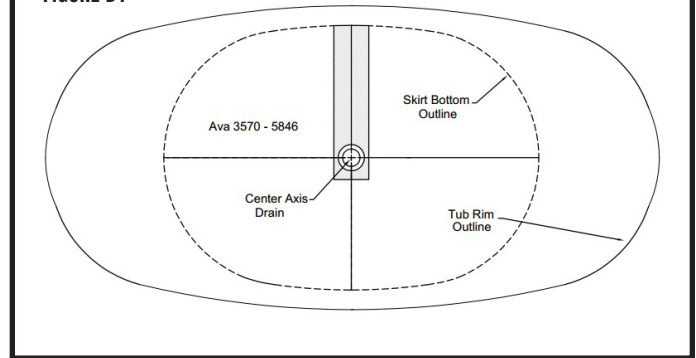


FIGURE B2

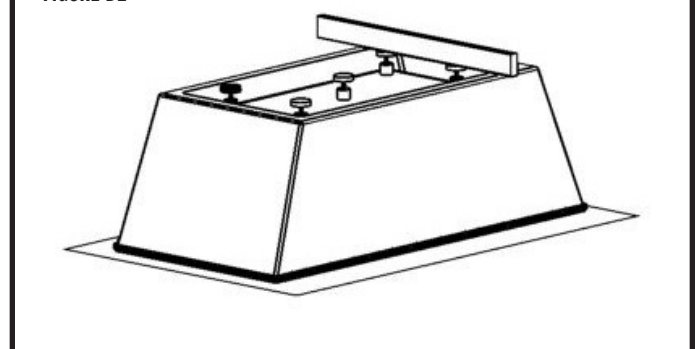
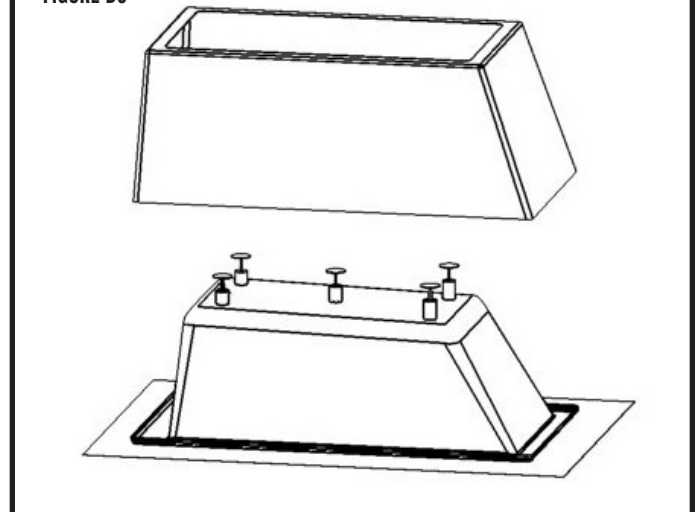
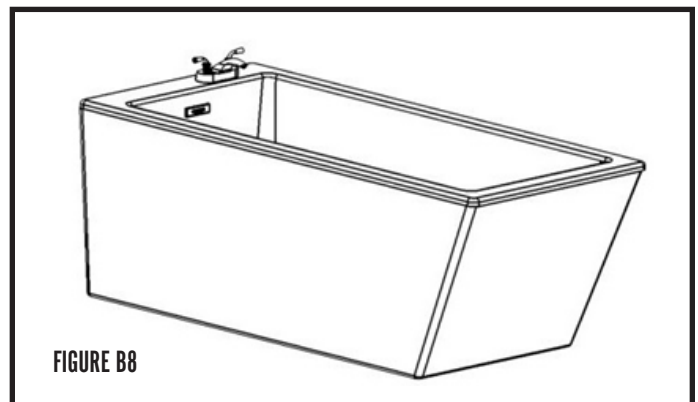
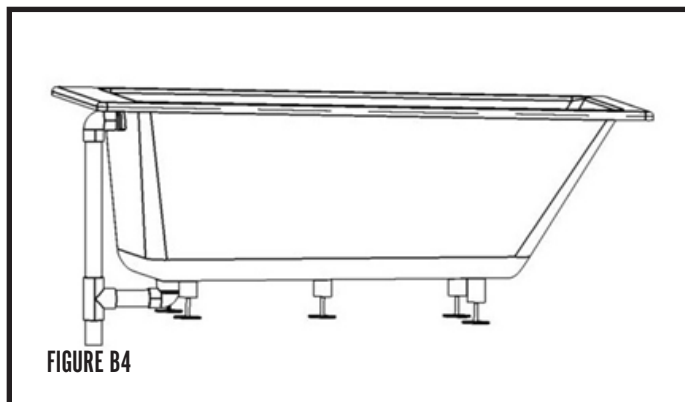
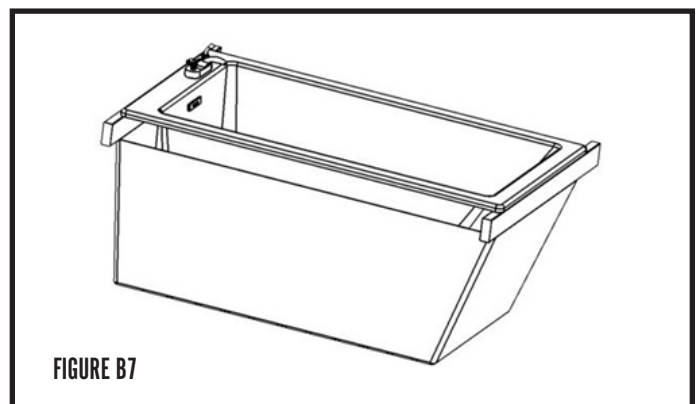
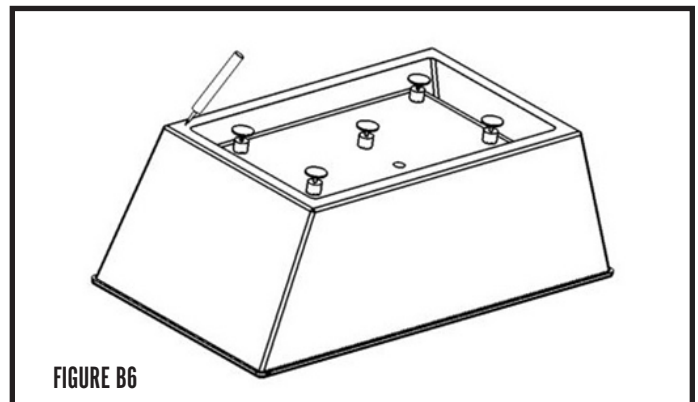
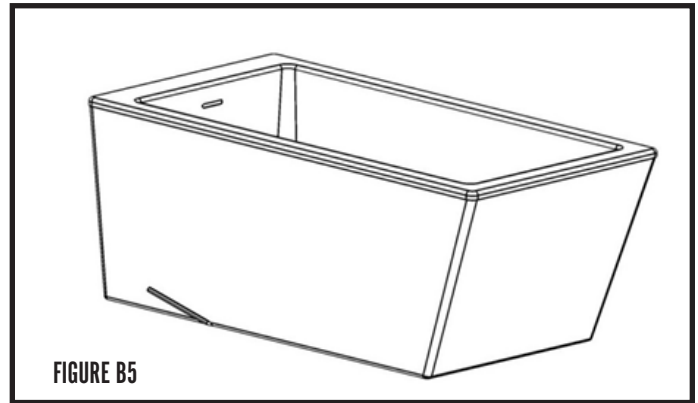


FIGURE B3



## INSTALLATION GUIDE - TWO PIECE BATHS

11. Reinstall the tub skirt. The skirt should fully seat inside the tub deck. Some minor manipulation of the skirt may be necessary.
12. Turn the tub so that the bathing well is facing upwards, and cautiously lower the bathtub so that the drain aligns with the P-trap. It is very important to not allow the bathtub to rest on the drain plumbing.
13. With the tub adjusted to its final location, trace around the bottom edge of the bathtub with a pencil or erasable marker. Figure B5.
14. Lift the tub off of the P-trap and lay it with the bathing well downward on a carpet, piece of cardboard, or a soft material.
15. Using clear silicone or construction adhesive, apply a 3/8" bead to the bottom of the skirt to adhere it to the floor. Be careful to not allow silicone to get on the outside wall or the tub or floor area. Immediately wipe any excess with a clean, damp cloth. Figure B6.
16. Using caution, remove the skirt and align it with the traced line from step 13. Once alignment is established, lower the skirt.
17. To install faucets on the deck area, flexible connection lines that are 72" in length must be used. Use the provided template to determine the faucet mount location. Ensure that clearance of the skirt and overflow hardware is sufficient.
18. Install the faucetry (not provided) using manufacturer's installation instructions.
19. Suspend the bathing well in the skirt using 2x4 boards to hold the bathing well above the skirt. Connect water lines to the faucetry. Figure B7.
20. Water test the tub to ensure that it is leak free. While the tub is suspended, water depth must not exceed 3" or skirt damage may occur.
21. Upon completion of a successful water test, remove the 2x4 boards to allow the bathing well to seat within the skirt. Ensure that the tub is not resting on the P-trap drain or skirt. Figure B8.
22. Installation is complete. Allow 24 hours for adhesive materials to set before use.



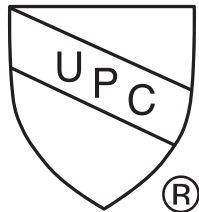
## CARE AND MAINTENANCE

Your Mansfield Freestanding bathtub is made from cast acrylic. Cast acrylic provides a beautiful, high-gloss finish that is extremely durable and is a beautiful look in any bathroom.

**IMPORTANT!** Use the recommended information described in this section. Use of other cleaning materials and/or methods may harm your bathtub and will void your warranty. The surface will retain its color and gloss indefinitely with normal use, but some bathroom cleaning agents will cause harm. Because of the detrimental effects that mineral deposits, soap scum and hard water stains have on finished surfaces, it is important to keep your bathtub and the fixtures of your Mansfield Freestanding bath clean on a regular basis. Once a week, wash all exposed surfaces of the bathtub with a mild solution of vinegar and water. Check for stubborn spots. Oily or greasy spots can be lifted with denatured alcohol. Wipe off with clear, warm water and dry with soft cloth.

**WARNING:** Under no circumstances should wire brushes, metal sponges, knives, steel wool or scouring pads be used on any part of the bath, nor petroleum based solvents such as paint thinner, acetone or abrasive cleaners. All of the afore mentioned products and the like will damage the finish of the bathtub.

## CODE COMPLIANCE



Accepted by the "Plumbing Research Committee" of the International Association of Plumbing and Mechanical Officials as meeting the requirements of the Uniform Plumbing Code. (For Acrylic Bath Shells). Listed 2719

## SERIAL NUMBER

---

Locate and retain your serial number for any future warranty service needs

# WARRANTY

Mansfield Plumbing Products  
Bathware – Mansfield Freestanding baths  
Residential Warranty

Mansfield Plumbing Products, LLC offers the following expressed warranty to the original purchaser of any Mansfield Freestanding bath who purchases the product for personal or single family residential use (“user”). We will repair or replace, at our sole option, the product in accordance with the following terms and conditions.

## TEN (10) YEAR WARRANTY FOR ACRYLIC SHELL

Mansfield Plumbing Products, LLC extends to the user of the product a non-transferable Ten (10) year warranty from the date the product was originally purchased by the user that the shell will maintain its structural integrity and be free of water loss due to a defect in the tub shell. This warranty covers only the product shell against defects in material or workmanship.

## WARRANTY LIMITATIONS

In no event shall Mansfield Plumbing Products, LLC be liable for incidental or consequential damages, for damages resulting from improper installation or for damages caused by handling, neglect, abuse or alteration. Our warranty does not cover defects or damage caused by the common carrier, installer, user or other persons resulting from, without limitation: careless handling, improper voltage supply/electrical modifications, misuse; incorrect operation; lack of or improper routine maintenance; incorrect or inadequate water use or use of improper cleaners. Chips, cracks and scratches are damages and are not covered under warranty; however, they may be repaired by a qualified technician at the user’s expense. Damages or defects that should have been detected before installation are not covered. All implied warranties, including any warranty of fitness for any particular purpose of merchantability, or those that might arise from a course of dealing with the purchaser or usages of trade, are hereby disclaimed or excluded.

Mansfield Plumbing Products, LLC is not responsible or liable for any delays or any failure to perform due to unforeseen circumstances or causes beyond Mansfield Plumbing Products, LLC control, when such delays or failure is due, directly or indirectly, to acts of God, war (including civil war), riots, embargoes, acts (whether sovereign or contractual) of civil or military authorities, acts of any government, major change in economic conditions, fires, floods, explosions, the elements, epidemics quarantine restrictions, strikes, lockouts, plant shutdowns, slowdowns, accidents, shortages of raw energy, materials, component parts, labor, or delays of suppliers or subcontractors.

Note: Some states do not allow limitations on an implied warranty, and some states do not allow exclusions or limitations regarding incidental or consequential damages, so the above limitations may not apply to you. This warranty gives you specific legal rights and you may have other rights which vary from state to state. No person is authorized to change, add to, or create any warranty or obligation other than set forth herein. This is our exclusive warranty.

## RESPONSIBILITIES OF OTHERS

Inspecting the unit prior to installation is the responsibility of the installer or building contractor who acts on behalf of the user. They are responsible for ensuring the unit is free of defect or damage. Notices are placed on and in the unit and on the shipping carton advising the installer of this responsibility. In the event of a problem, the unit must not be installed. The Company is not responsible for failures or damage that could have been discovered, repaired, or avoided by proper inspection and testing (including proper water testing) prior to installation.

Damage occurring in transit is the responsibility of the carrier. The user or installer MUST open the crate and inspect the unit for damage when it is delivered. If damage is discovered, it must be reported immediately to the seller and the carrier in writing, and an inspection requested. Failure of the carrier to respond should be reported to the seller and the carrier. Your freight claims should be filed promptly thereafter.

It is the responsibility of the installer, building contractor, or user to provide access for service. Mansfield Plumbing Products, LLC is not responsible for any costs relating to obtaining access for repair.

## WARRANTY SERVICE

Mansfield Plumbing Products, LLC maintains a list of independent service personnel to perform required warranty service repairs. Such firms are not agents or representatives of Mansfield Plumbing Products, LLC and cannot bind us by words or conduct. We will provide warranty service when Mansfield Plumbing Products, LLC has been notified of the problem during the active warranty period and deemed the problem to be of the nature or type covered by the warranty.

The product serial number, users address and contact information must be provided to obtain warranty service.