

388-386LT SUMMIT®

MANSFIELD®



Round Front, SmartHeight™, Vitreous China, Two-Piece Toilet

FEATURES

- High performance MagnaFlush™ flushing technology
- 1.6 gpf / 6.0 lpf low water consumption
- Round front, SmartHeight™ bowl
- SmartFasten™ 3-bolt tank-to-bowl connection
- 3" Rigid Flapper flush valve – requires less force to flush, is more consistent and uses a simple universal repair part/seal
- Fluidmaster® pilot operated anti-siphon fill valve
- 12" rough-in
- Lined tank for reduced condensation
- Model 57 chrome-plated, metal trip lever
- 2" glazed trapway
- The Mansfield® limited lifetime warranty on china;
Five-year limited warranty on tank trim
- Available in White, Biscuit and Bone



COMPONENTS

MODEL #	DESCRIPTION	CODES/STANDARDS
388-386LT	Round front, SmartHeight™, two-piece toilet. Less toilet seat and supply. Specify color.	 
388	Round front, SmartHeight™ toilet bowl only. Less supply. Specify color.	
386LT	Tank and cover only, with left hand, front-mount, chrome-plated, metal trip lever. Tank liner. Less supply. Specify color.	
TANK TRIM & REPLACEMENT PARTS		
57	Trip lever - chrome-plated, metal trip lever, left hand	
2037-1212	Summit® 1.6 rigid flapper flush valve	
400A	Fluidmaster® anti-siphon pilot fill valve	
2206	Anti-siphon pilot fill valve (compatible replacement)	
630-0030	Replacement flush valve seal	
386-LID	Tank lid	



When properly installed, this product meets the requirements for the Americans with Disabilities Act of 1990 (ADA). Refer to local plumbing codes, as they may vary by location and application.

388-386LT SUMMIT®



Round Front, SmartHeight™, Vitreous China, Two-Piece Toilet

SPECIFICATIONS

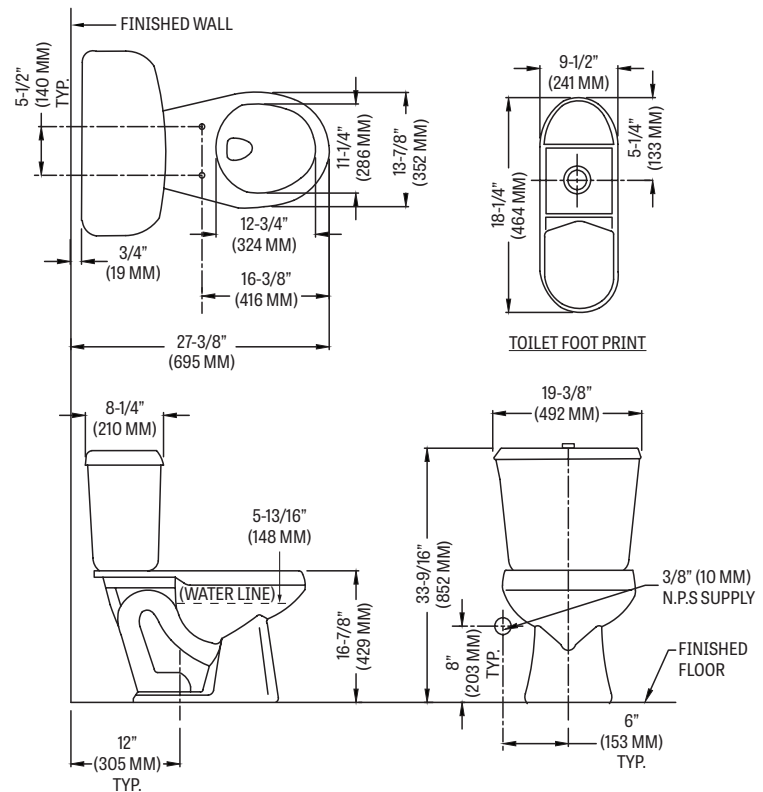
MODEL #	DESCRIPTION	CODES/STANDARDS
388-386LT	Round front, SmartHeight™ (1.6 gpf/6.0 lpf) two-piece toilet	 

MATERIAL	Vitreous China
WATER PRESSURE RANGE	20 to 80 PSI
FLUSH SYSTEM	MagnaFlush™ flushing technology
WATER USAGE	1.6 gpf / 6.0 lpf
WATER SURFACE AREA	8' X 9'
ROUGH-IN	12'
MAP RATING	1,000 grams

TRAP DIAMETER	2'
TRAP SEAL	2-1/4'
SHIPPING WEIGHT	Model 388 - 52 lbs. (23.5 kg) Model 386LT - 36 lbs. (16.3 kg)
WARRANTY	Vitreous China - Limited Lifetime Tank Trim - Limited Five Year

TANK OPTIONS	TECHNICAL INFORMATION				
<table border="1" style="width: 100%;"> <tbody> <tr> <td style="width: 15%;">386RH</td> <td>Variation of model 386, with right hand trip lever.</td> </tr> <tr> <td>386LT</td> <td>Variation of model 386, with tank liner.</td> </tr> </tbody> </table>	386RH	Variation of model 386, with right hand trip lever.	386LT	Variation of model 386, with tank liner.	<p>Note: these dimensions are nominal and subject to change without notice.</p>
386RH	Variation of model 386, with right hand trip lever.				
386LT	Variation of model 386, with tank liner.				

386RH	Variation of model 386, with right hand trip lever.
386LT	Variation of model 386, with tank liner.



Fixture performance and specifications meet or exceed ASME A112.19.2/CSA B45.1 standards, and other state and local codes.