

READ AND FOLLOW ALL SAFETY INSTRUCTIONS! SAVE THESE INSTRUCTIONS AND DELIVER TO OWNER AFTER INSTALLATION

- To reduce the risk of death, personal injury or property damage from fire, electric shock, falling parts, cuts/abrasions, and other hazards please read all warnings and instructions included with and on the fixture box and all fixture labels.
- Before installing, servicing, or performing routine maintenance upon this equipment, follow these general precautions.
- Installation and service of luminaires should be performed by a **qualified licensed electrician**.
- Maintenance of the luminaires should be performed by person(s) familiar with the luminaires' construction and operation and any hazards involved. Regular fixture maintenance programs are recommended.
- It will occasionally be necessary to clean the outside of the refractor/lens. Frequency of cleaning will depend on ambient dirt level and minimum light output which is acceptable to user. Refractor/lens should be washed in a solution of warm water and any mild, non-abrasive household detergent, rinsed with clean water and wiped dry. Should optical assembly become dirty on the inside, wipe refractor/lens and clean in above manner, replacing damaged gaskets as necessary.
- **DO NOT INSTALL DAMAGED PRODUCT!** This luminaire has been properly packed so that no parts should have been damaged during transit. Inspect to confirm. Any part damaged or broken during or after assembly should be replaced.
- Recycle: For information on how to recycle LED electronic products, please visit www.epa.gov.
- These instructions do not purport to cover all details or variations in equipment nor to provide every possible contingency to meet in connection with installation, operation, or maintenance. Should further information be desired or should particular problems arise which are not covered sufficiently for the purchaser's or owner's purposes, this matter should be referred to Acuity Brands Lighting, Inc.



WARNING RISK OF ELECTRIC SHOCK

- ✓ Disconnect or turn off power before installation or servicing.
- ✓ Verify that supply voltage is correct by comparing it with the luminaire label information.
- ✓ Make all electrical and grounded connections in accordance with the National Electrical Code (NEC) and any applicable local code requirements.
- ✓ All wiring connections should be capped with UL approved recognized wire connectors.



WARNING RISK OF BURN

- ✓ Allow lamp/fixture to cool before handling. Do not touch enclosure or light source.
- ✓ Follow all manufacturer's warnings, recommendations and restrictions for: driver type, burning position, mounting locations/methods, replacement and recycling.



CAUTION RISK OF INJURY

- ✓ Wear gloves and safety glasses at all times when removing luminaire from carton, installing, servicing or performing maintenance.
- ✓ Avoid direct eye exposure to the light source while it is on.



CAUTION RISK OF FIRE

- ✓ Keep combustible and other materials that can burn, away from lamp/lens.
- ✓ Do not operate in close proximity to persons, combustible materials or substances affected by heat or drying.

LED IMPORTANT SAFETY INSTRUCTIONS



CAUTION: RISK OF PRODUCT DAMAGE

- ✓ Never connect components under load.
- ✓ Do not mount or support these fixtures in a manner that can cut the outer jacket or damage wire insulation.
- ✓ Unless individual product specifications deem otherwise: Never connect an LED product directly to a dimmer packs, occupancy sensors, timing devices, or other related control devices. LED fixtures must be powered directly off a switched circuit.
- ✓ Unless individual product specifications deem otherwise: Do not restrict fixture ventilation. Allow for some volume of airspace around fixture. Avoid covering LED fixtures with insulation, foam, or other material that will prevent convection or conduction cooling.
- ✓ Unless individual product specifications deem otherwise: Do not exceed fixtures maximum ambient temperature.
- ✓ Only use fixture in its intended location.
- ✓ Electrostatic Discharge (ESD): ESD can damage LED fixtures. Personal grounding equipment must be worn during all installation or servicing of the unit.
- ✓ Do not touch individual electrical components as this can cause ESD, shorten lamp life, or alter performance.
- ✓ Some components inside the fixture may not be serviceable. In the unlikely event your unit may require service, stop using the unit immediately and contact an ABL representative for assistance.
- ✓ Always read the fixtures complete installation instructions prior to installation for any additional fixture specific warnings.

Please see product specific installation instructions for additional warnings or any applicable FCC or other regulatory statements.

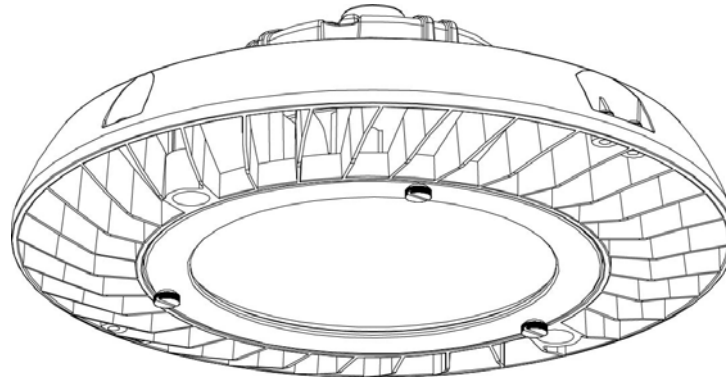
Failure to follow any of these instructions could void product warranties. For a complete listing of product Terms and Conditions, please visit www.acuitybrands.com.

Our Brands	Indoor/Outdoor	Indoor Lighting	Outdoor Lighting	Controls
	Lithonia Lighting	Gotham	American Electric Lighting	DARK TO LIGHT
	Carandini	Mark Architectural Lighting	Antique Street Lamps	Lighting Control & Design
	Holophane	Peerless	Hydrel	ROAM
	RELOC	Renaissance Lighting	Tersen	Sensor Switch
		Winona Lighting		Synergy

Acuity Brands Lighting, Inc. assumes no responsibility for claims arising out of improper or careless installation or handling of its products.

ABL LED General Warnings, Form No. 503.203

+© 2015 Acuity Brands Lighting, Inc. All rights reserved. 4/06/15



1 Introduction

1.1 Product Description. The JEHL luminaires have been designed and tested in accordance with applicable UL/CSA standards and are suitable for use in wet locations. Max luminaire weight is 14 lbs.

1.2 Remove the new LED high bay from packaging and inspect for any damages. Handle new LED fixture with care. If damaged do not use; call your local rep for replacement.

2 Installation

This fixture is designed to be suspended from the supplied Eye Bolt or flush mounting installation with optional Surface Mount Bracket (JEBLSMB). Provide suitable hardware in accordance with local codes that is capable of supporting the full weight (14 lbs) of the luminaire.

2.1.1 Standard Mounting type (Eye Bolt Suspended) (see figure 1). Install the enclosed eye bolt hook into the top of the luminaire housing, and tighten securely. Tighten the lock-nut to prevent the eyebolt from loosening. (See Figure 1).

WARNING

FAILURE TO TIGHTEN LOCKNUT COULD CAUSE LUMINAIRE TO FALL RESULTING IN INJURY, DEATH OR SERIOUS PROPERTY DAMAGE.

2.1.2 Suspend fixture with chain or cable securely attached to fixture eye bolt.

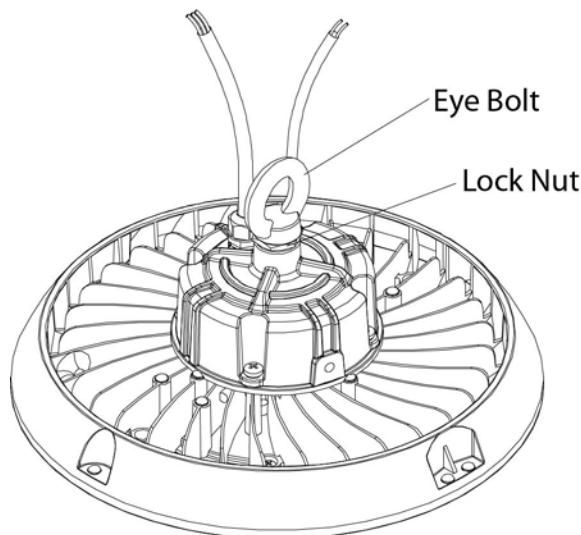


Figure 1

2.2.1 Surface Mount Bracket (JEBSMB) - The optional Surface Mount Bracket is designed to attach to JEBL fixture housing with supplied mounting screws.

2.2.2 Remove hole plugs from bracket mounting surface. (See Figure 2)

2.2.3 Position Mounting Bracket onto fixture housing aligning mounting holes with holes on housing. Install provided mounting screws, lock washers and washers to attach Mounting Bracket to fixture housing. (See Figure 2).

2.2.4 Install Surface Mount Bracket to mounting surface with suitable hardware (not provided) to support full weight (14 lbs) of luminaire.

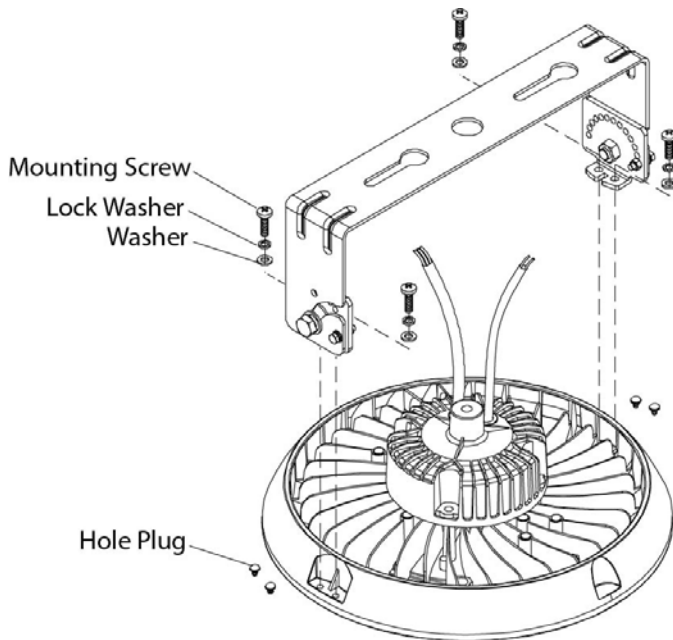


Figure 2

3.0 Supply Wire connections Make all supply wire connections in accordance with local electrical codes.

3.1.1 Connect the LED high bay wiring to line wire, black-to-black, white-to-white and green-to-green. Purple and gray wires are for 0-10V dimming and shall be capped with a wire nut (not provided) for each wire when not used. Use only UL listed wiring connectors 90C (or greater) and UL listed wiring (90C or greater).

4.0 Care and Maintenance

Wipe off exterior dirt and debris using a soft clean cloth. Do not use abrasive cleaners on optical surfaces as this may result in loss of optical efficiency.

Limited Warranty and Limitation of Liability

5-year limited warranty. Complete warranty terms located at:

www.acuitybrands.com/CustomerResources/Terms_and_Conditions.aspx.