

135-190 ALTO®



Elongated Front, Vitreous China, Two-Piece Toilet

FEATURES


- 3-bolt SmartFasten™ tank-to-bowl connection
- 1.6 gpf / 6.0 lpf low water consumption
- Elongated front bowl
- 2" flush tower
- Fluidmaster® anti-siphon pilot fill valve
- 12" rough-in
- Model 40 color match, plastic trip lever
- Lined tank for reduced condensation
- 2" glazed trapway
- The Mansfield® limited lifetime warranty
- Available in White



MODEL 135-190
Toilet seat not included



COMPONENTS


| MODEL # | DESCRIPTION | CODES/STANDARDS |
|-------------------------------|---|---|
| 135-190 | Elongated front, two-piece toilet. |  |
| 135 | Elongated front, toilet bowl only. Less toilet seat. Specify color. | |
| 190 | Tank and cover only with left hand, front-mount, color match, plastic trip lever. Tank liner. Fluidmaster® anti-siphon pilot fill valve. Less supply. | |
| TANK TRIM & REPLACEMENT PARTS | | |
| 40 | Trip lever - color match, plastic trip lever, left hand | |
| 211-1112 | Flush tower | |
| 400A | Fluidmaster® anti-siphon pilot fill valve | |
| 630-0030 | Replacement flush valve seal | |
| 160-LID | Tank lid | |

135-190 ALTO®



Elongated Front, Vitreous China, Two-Piece Toilet

SPECIFICATIONS

| MODEL # | DESCRIPTION | CODES/STANDARDS |
|---------|--|---|
| 135-190 | Elongated front (1.6 gpf / 6.0 lpf) two-piece toilet |  |

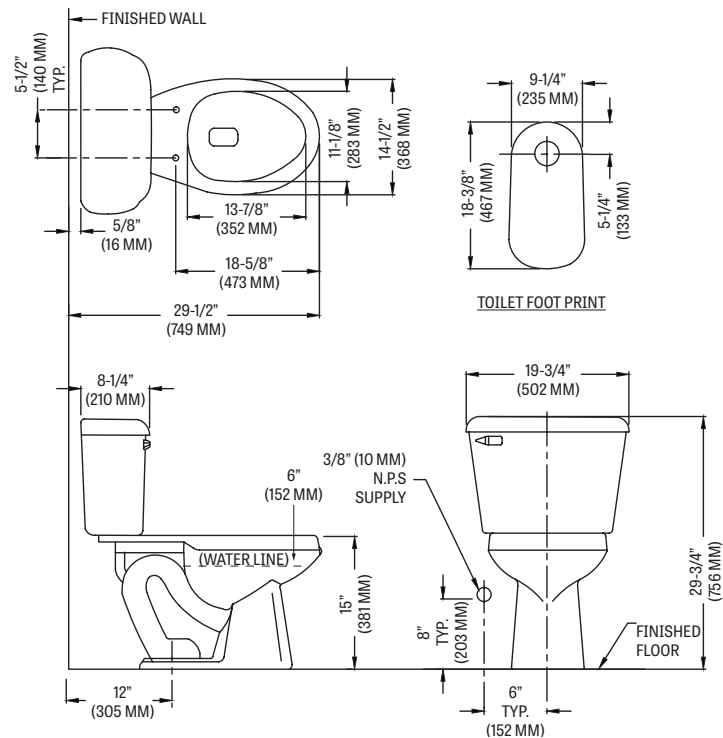
| | |
|----------------------|-------------------|
| MATERIAL | Vitreous China |
| WATER PRESSURE RANGE | 20 to 80 PSI |
| FLUSH SYSTEM | 2" Flush Tower |
| WATER USAGE | 1.6 gpf / 6.0 lpf |
| WATER SURFACE AREA | 9" X 10" |
| ROUGH-IN | 12" |
| MaP RATING | 800 grams |

| | |
|-----------------|---|
| TRAP DIAMETER | 2" |
| TRAP SEAL | 2-1/2" |
| SHIPPING WEIGHT | Model 135 - 50 lbs. (22.6 kg) Model 190 - 34 lbs. (15.4 kg) |
| WARRANTY | Vitreous China - Limited Lifetime Tank Trim - Limited One Year |

| TANK OPTIONS | |
|--------------|--|
| 160 | Standard 1.6 gpf configuration: 2" flush tower, Fluidmaster® anti-siphon pilot fill valve, left hand, chrome trip lever. |
| 160RH | Variation of model 160, with right hand trip lever. |
| 165 | Variation of model 160, with cover lock. |
| 170 | Variation of model 160, with tank liner. |
| 172 | Variation of model 160, with 2" flapper flush valve and chrome trip lever. |
| 173 | Variation of model 160, with 2" flapper flush valve and color-match trip lever. |
| 173RH | Variation of model 173, with right hand trip lever. |
| 174 | Variation of model 173, with tank liner. |
| 175 | Variation of model 160, with cover lock and tank liner. |
| 180 | Variation of model 160, with color-match trip lever. |
| 190 | Variation of model 160, with color-match trip lever and tank liner. |
| 125 | Variation of model 160, with 14" rough-in. |

TECHNICAL INFORMATION

Note: these dimensions are nominal and subject to change without notice.



Fixture performance and specifications meet or exceed ASME A112.19.2/CSA B45.1 standards, and other state and local codes.