

ITEM NO. 3781195 / MODEL NO. 5527550000

**ESSENCE™ 3666****MANSFIELD®**

66" x 36" x 24", Acrylic, Swirl-Way® Bathtub

**FEATURES**

- High gloss, easy-to-clean acrylic with fiberglass reinforcement
- Standard bathtub provides a simple and relaxing soak
- Includes two pillows
- Oval model with center drain
- Pre-leveled legs for easy installation
- Integrated dual armrests for bather's comfort
- Spacious bathing well designed for two-person comfort
- 10-year limited warranty on acrylic
- Installation: Drop-In
- Available in White


**MODEL 5527550000**

Bathtub



BATH

**COMPONENTS**

MODEL #	DESCRIPTION	CODES/STANDARDS
5527550000	66" x 36" x 24" Oval Swirl-Way® Bathtub. Drain not included.	
<b>ACCESSORIES</b>		
<b>CAB-</b>	Cable Overflow Drain (White — 1330, Chrome — 1335, Everbrass — 1336, Brushed Nickel — 1337, Oil Rubbed Bronze — 1338, Matte Black — 1339)	
<b>TIP-</b>	Tip Toe Overflow Drain (Chrome — 1335, Everbrass — 1336, Brushed Nickel — 1337, Oil Rubbed Bronze — 1338, Matte Black — 1339)	
<b>SWAPOO</b>	Nailing Flange Kit (includes 14" PVC nailing flange, tacky tape and installation instructions)	



ITEM NO. 3781195 / MODEL NO. 5527550000

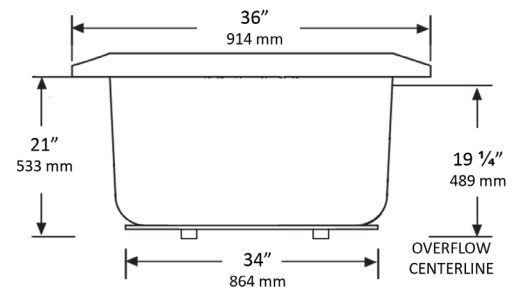
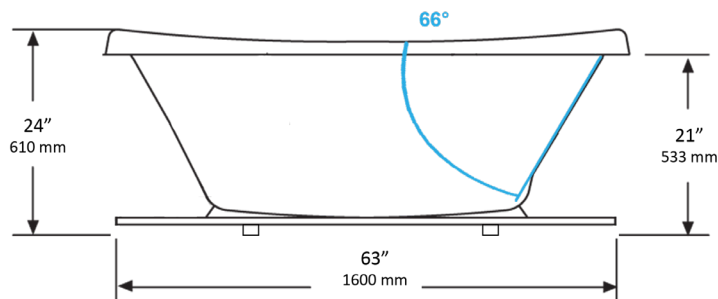
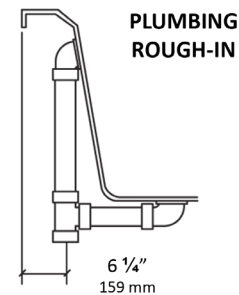
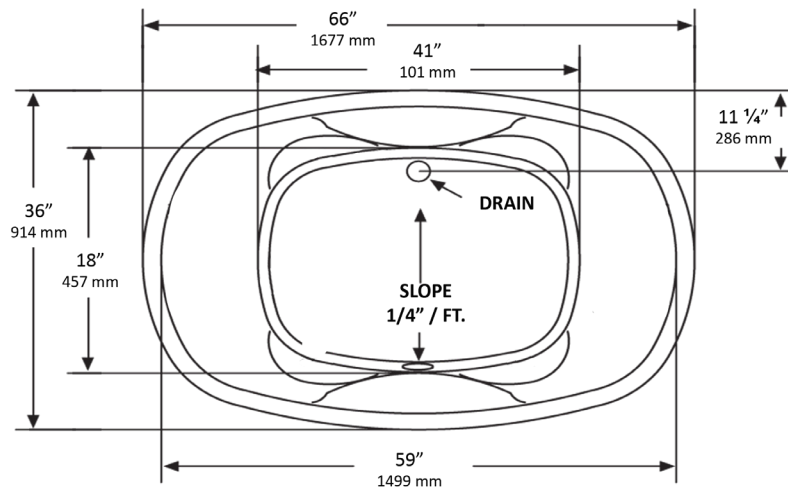
**ESSENCE™ 3666****MANSFIELD®**

66" x 36" x 24", Acrylic, Swirl-Way® Bathtub

**SPECIFICATIONS**

<b>MATERIAL</b>	Acrylic, fiberglass reinforced
<b>CONSTRUCTION</b>	Self contained bathtub mounted on a pre-leveled base.
<b>WATER CAPACITY</b>	70 gal. (min.) / 85 gal. (max)

<b>SOAKING DEPTH</b>	15-1/4'
<b>FLOOR LOADING WEIGHT</b>	47 lbs. sq.ft.
<b>SHIPPING WEIGHT</b>	145 lbs. (66 kg)
<b>WARRANTY</b>	Acrylic - 10-Year

**TECHNICAL INFORMATION****Note:** these dimensions are nominal and subject to change without notice.**NOTES:**

1. Measurements may vary 1/4" (+/-)
2. Removable apron is not available for this unit.
3. These dimensions are nominal and subject to change without notice.

